

# HC-B24-BCFS-P-BK - Protective cover



1346545

<https://www.phoenixcontact.com/pc/products/1346545>

Please be informed that the data shown in this PDF document is generated from our online catalog. Please find the complete data in the user documentation. Our general terms of use for downloads are valid.



Protective cover B24, for single locking latch, protective cover material: PC, height: 26.3 mm, seal: no

## Commercial data

Item number	1346545
Packing unit	1 pc
Minimum order quantity	1 pc
Product key	BF7AZC
GTIN	4063151660642
Weight per piece (including packing)	33.5 g
Weight per piece (excluding packing)	33.5 g
Customs tariff number	85389099
Country of origin	CN

# HC-B24-BCFS-P-BK - Protective cover



1346545

<https://www.phoenixcontact.com/pc/products/1346545>

## Technical data

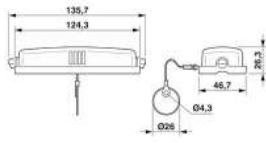
### Notes

General	Protective cover for supporting base element with single locking latch
---------	--

### Product properties

Type	B24
Product type	Protective cover
Housing type	Protective cover
Seal present	no

### Dimensions

Dimensional drawing	
Width	46.7 mm
Height	26.3 mm
Length	124.3 mm
Diameter	40 mm

### Material specifications

Material	PC
Flammability rating according to UL 94	V0
Material, protective cover	PC

### Environmental and real-life conditions

#### Ambient conditions

Degree of protection	IP66
Ambient temperature (operation)	-40 °C ... 125 °C
Resistance to UV radiation	yes

### Standards and regulations

Resistance to UV radiation	yes
----------------------------	-----

### Mounting

Assembly instructions	Double eyelet for mounting on a cable / below screw head Plastic protective cover for short-term protection
-----------------------	--

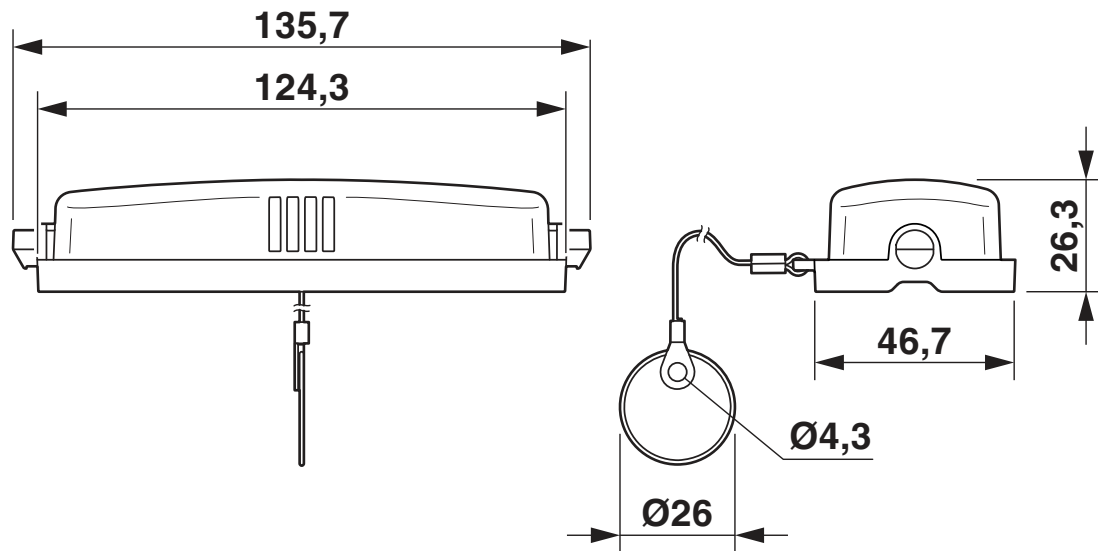
# HC-B24-BCFS-P-BK - Protective cover

1346545

<https://www.phoenixcontact.com/pc/products/1346545>

## Drawings

Dimensional drawing



Dimensional drawing

# HC-B24-BCFS-P-BK - Protective cover



1346545

<https://www.phoenixcontact.com/pc/products/1346545>

## Approvals

To download certificates, visit the product detail page: <https://www.phoenixcontact.com/pc/products/1346545>



**EAC**

Approval ID: RU C-DE.BL08.B.00511

**DNV**

Approval ID: TAE000037S

# HC-B24-BCFS-P-BK - Protective cover



1346545

<https://www.phoenixcontact.com/pc/products/1346545>

## Classifications

### ECLASS

ECLASS-11.0	27440208
ECLASS-12.0	27440208
ECLASS-13.0	27440208

### ETIM

ETIM 8.0	EC002314
----------	----------

### UNSPSC

UNSPSC 21.0	39121400
-------------	----------

# HC-B24-BCFS-P-BK - Protective cover



1346545

<https://www.phoenixcontact.com/pc/products/1346545>

## Environmental product compliance

China RoHS	Environmentally friendly use period: unlimited = EFUP-e
	No hazardous substances above threshold values

Phoenix Contact 2023 © - all rights reserved  
<https://www.phoenixcontact.com>

PHOENIX CONTACT GmbH & Co. KG  
Flachmarktstraße 8  
D-32825 Blomberg  
+49 (0) 5235-3 00  
[info@phoenixcontact.com](mailto:info@phoenixcontact.com)