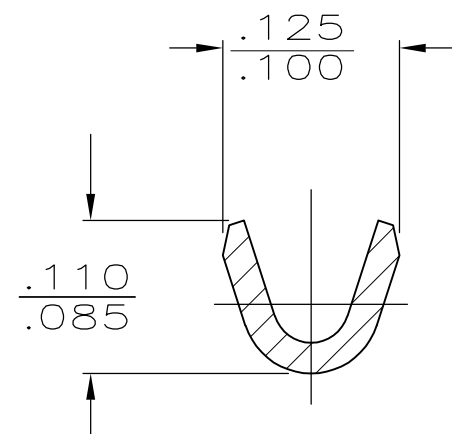
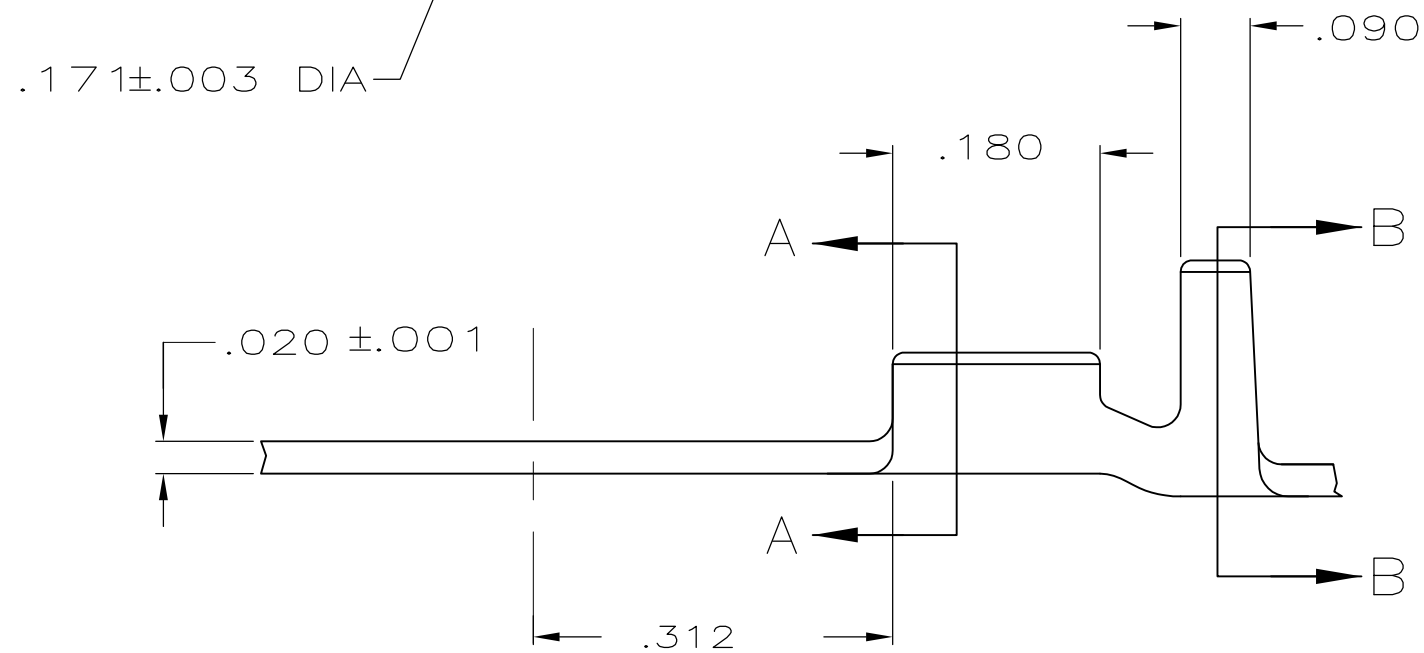
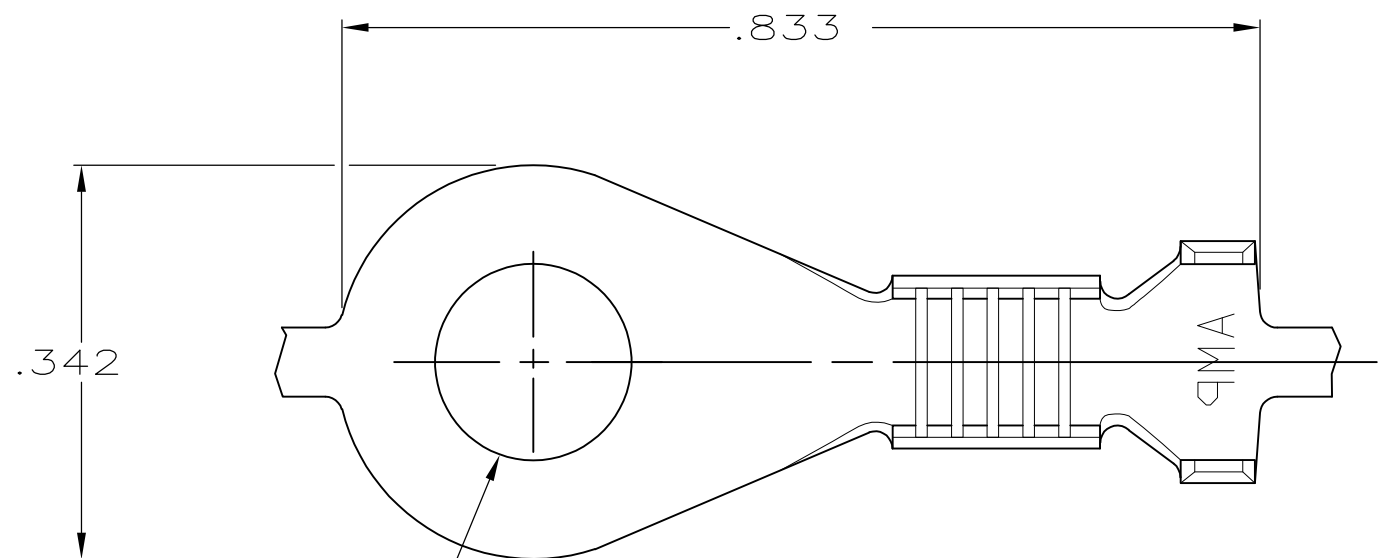
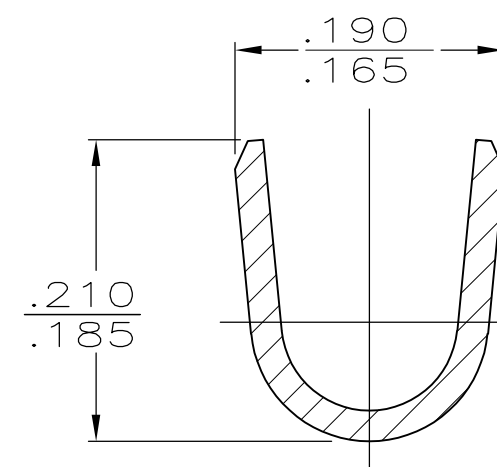


THIS DRAWING IS UNPUBLISHED. RELEASED FOR PUBLICATION
 © COPYRIGHT - By TYCO ELECTRONICS CORPORATION. ALL RIGHTS RESERVED.

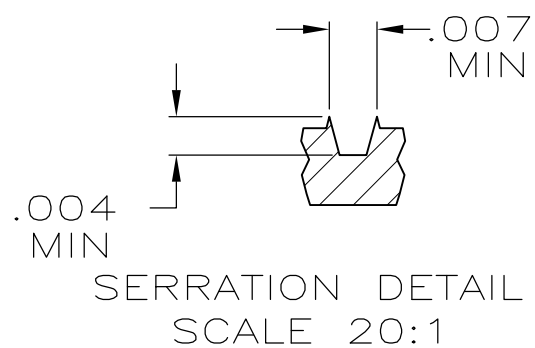
LOC	DIST	REVISIONS			
P	LTR	DESCRIPTION	DATE	DWN	APVD
AF	50	G	REVISE PER ECR-13-013738	15FEB2014	GRZ JL



SECTION A-A
SCALE 8:1



SECTION B-B
SCALE 8:1



TIN PL	.100-.140	23-19	60321-2
FINISH	INSULATION RANGE	MAGNET WIRE SIZE	PART NO

THIS DRAWING IS A CONTROLLED DOCUMENT.		DWN	P Fortney 6/4/87	
DIMENSIONS: INCHES		CHK	-	
TOLERANCES UNLESS OTHERWISE SPECIFIED:		APVD	-	
0 PLC	± -	PRODUCT SPEC	-	
1 PLC	± -	APPLICATION SPEC	-	
2 PLC	± -	WEIGHT	-	
3 PLC	± .015	MATERIAL	BRASS	
4 PLC	± -	FINISH	SEE TABLE	
ANGLES	± -			

DWN		P Fortney 6/4/87		TE Connectivity	
CHK		-			
APVD		-		NAME	
PRODUCT SPEC		-		RING,AMPLIVAR	
APPLICATION SPEC		-		-	
SIZE	CAGE CODE	DRAWING NO	RESTRICTED TO		
A3	00779	C-60321	-		
CUSTOMER DRAWING			SCALE	SHEET	REV
			6:1	1 OF 1	H