

General information

Antenna covering GSM 850/900 (824-960 MHz) and GSM 1800, (1710-1880 MHz) with connector options SMA, SMB and FME, both in straight and right-angle versions.

The Ex-It GSM is a quarter wave antenna that gives optimum performance when mounted on a ground plane or matched to a PCB.

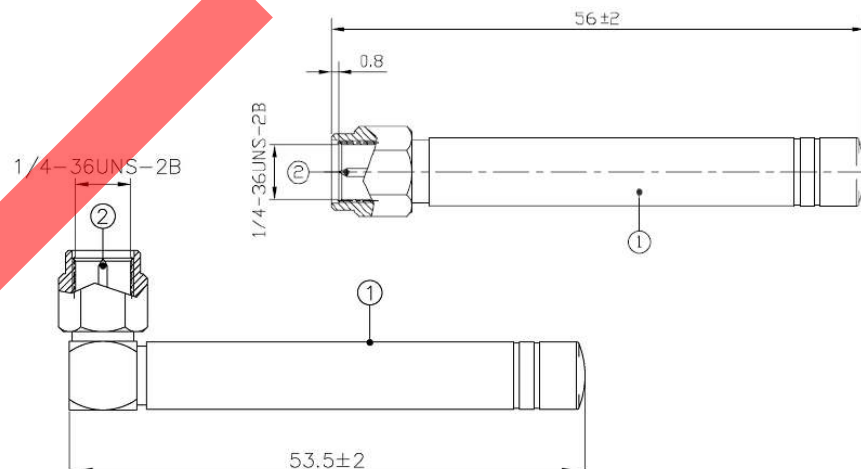


Technical data

Frequency	824-960/1710-1990 MHz
Return loss	< -4.5 dB
Gain	Max 3 dBi
Dimension	7 x 53 – 8 x 65 mm (depending on connector)
Mounting	Connector mounting
Connection	Variable
Temperature	-40 to +85° C
RoHS status	Compliant with EU directive 2011/65/EU and 2015/8631

Applications

M2M-communications
Telemetric
Automated Meter Reading
Alarms



Ordering information

Part number	Part name	Details
PRO-EX-218	Ex-IT GSM SMA	Antenna for cellular GSM with SMA connector.
PRO-EX-219	Ex-IT GSM R/A SMA	Antenna for cellular GSM with right angle SMA connector.
PRO-EX-220	Ex-IT GSM FME	Antenna for cellular GSM with FME connector.
PRO-EX-221	Ex-IT GSM R/A FME	Antenna for cellular GSM with right angle FME connector.
PRO-EX-222	Ex-IT GSM SMB	Antenna for cellular GSM with SMB connector.
PRO-EX-223	Ex-IT GSM R/A SMB	Antenna for cellular GSM with right angle SMB connector.

For information on sales, delivery terms and conditions and prices, please visit the Proant website (www.proant.se) for a complete list of distributors.

Proant offers consultation with design-in of the InSide antennas. Proant have all necessary capabilities for antenna design including anechoic chamber and prototype workshop. Please send your requests to info@proant.se.

Disclaimer

The information given in this application note shall in no event be regarded as a guarantee of conditions or characteristics. With respect to any examples or hints given herein, any typical values stated herein and/or any information regarding the application of the device, Proant AB hereby disclaims any and all warranties and liabilities of any kind, including without limitation, warranties of non-infringement of intellectual property rights of any third party.