

6

5

4

3

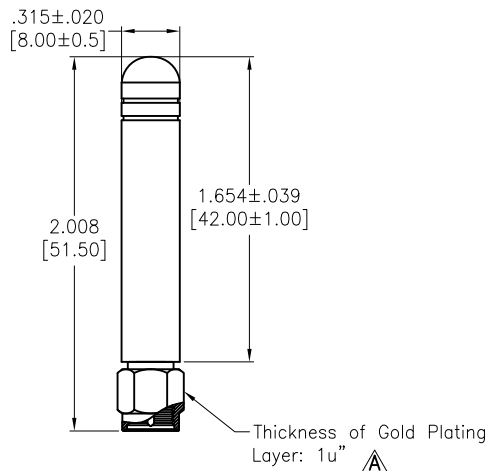
2

1

APPROVED: _____

DATE: _____ TITLE: _____

Rev	AWO #	Description	Date	Appr
-		RELEASED	12/15/21	
A		ADDED SPEC.	8/11/22	LH/TW



SPECIFICATIONS:

Material:

noumenon	ABS	Black
----------	-----	-------

Electrical:

Standards	3G&2G&NB-IoT	
Frequency range (MHz)	698~960MHz	1710~2170MHz
Peak Gain (dBi)	-4.5~4.0	0~4.0
Average Gain(dB)	-10.0~-1.8	-6.4~-3.6
VSWR	< 5.0	< 10.0
Return Loss(dB)	< -3.5	< -1.5
Efficiency (%)	10.0~66.0	23.0~44.0
Polarization mode	Linear	Linear
Radiation pattern	Omni-Directional	Omni-Directional
Output impedance (Ω)	50	50
Max. Input Power(W)	25	25

Mechanical:

Mounting Type	Connector Mount
Connector Type	SMA-Male Standard(Straight) Color: Yellow
Antenna size(mm)	51.5Xφ8mm
Material	ABS
Operating Temperature (°C)	- 40 °C ~ + 85 °C
Storage Temperature(°C)	- 40 °C ~ + 85 °C

Environmental:
Lead free, RoHS compliant.



UNLESS OTHERWISE SPECIFIED ALL DIMENSIONS ARE INCHES [MM]. TOLERANCES: EXCEPT AS NOTED

INCHES		HOLES	
.X	± .10	Ø.X	±.10
.XX	± .020	Ø.XX	±.015
.XXX	± .015	Ø.XXX	±.010



909 Rahway Avenue,
Union, NJ 07083
Phone: 908-687-5000
Fax: 908-687-5710

DRAWN	JJ	12/15/21
CHECKED	RC	12/15/21
APPROVED		

TITLE
3G&2G EXTERNAL CONNECTOR MOUNT ANTENNA

THIS DRAWING CONTAINS INFORMATION THAT IS PROPRIETARY AND SHOULD NOT BE USED WITHOUT PRIOR WRITTEN PERMISSION FROM ADAM TECH

SIZE X	PART NO. ANT-20287EB56	REV. A
REF: S00207C	SCALE: NTS	SHEET 1 OF 1

6

5

4

3

2

1