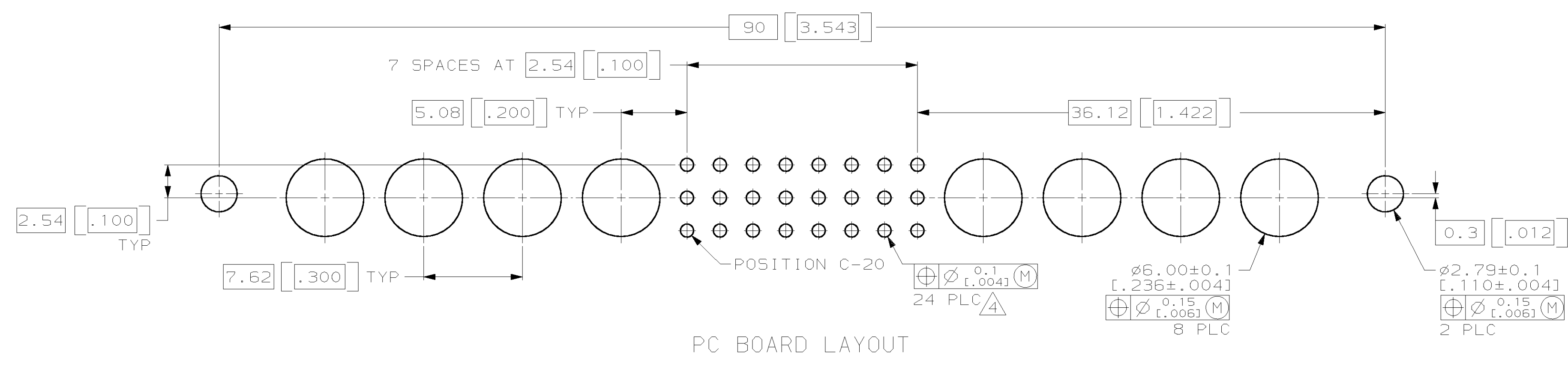
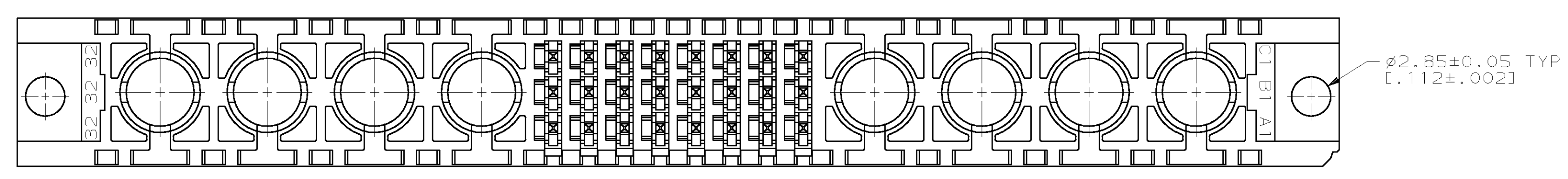
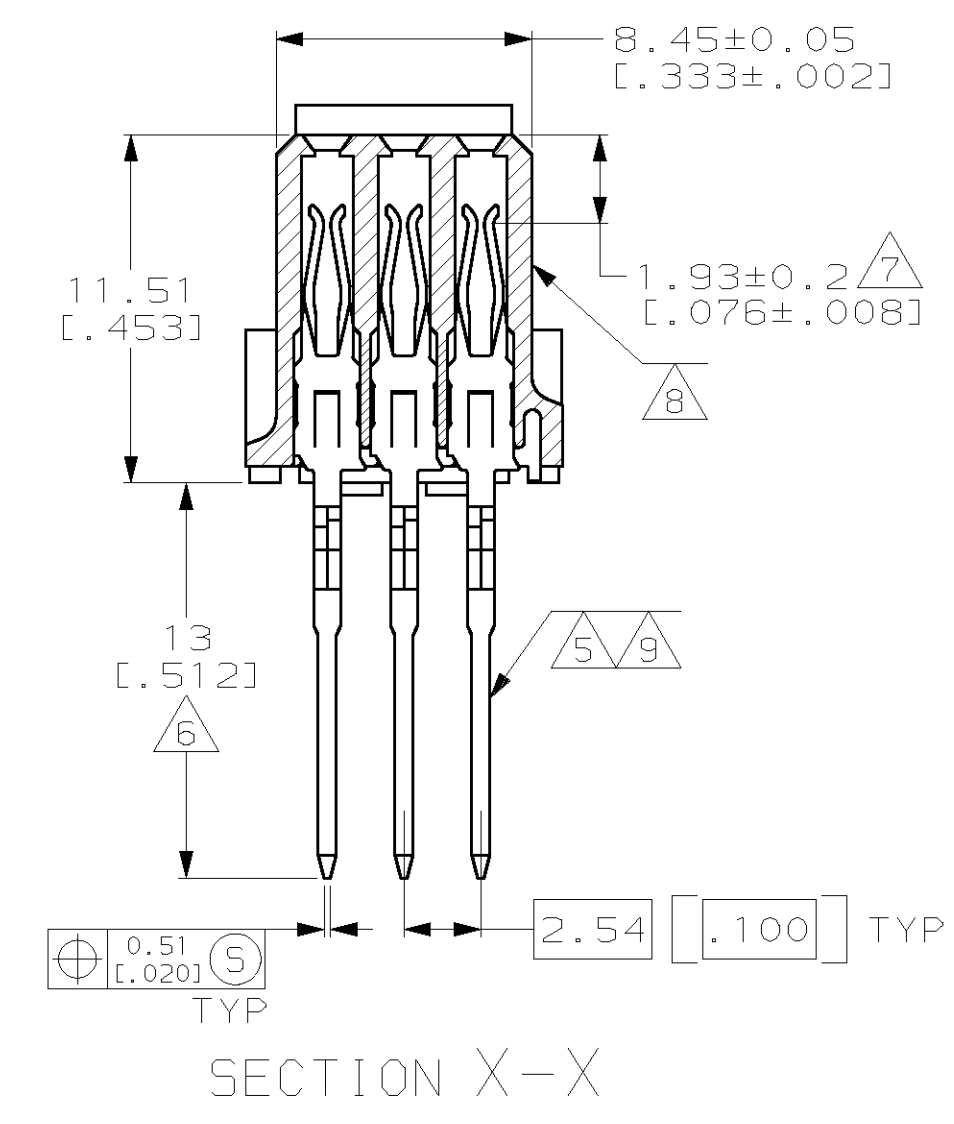
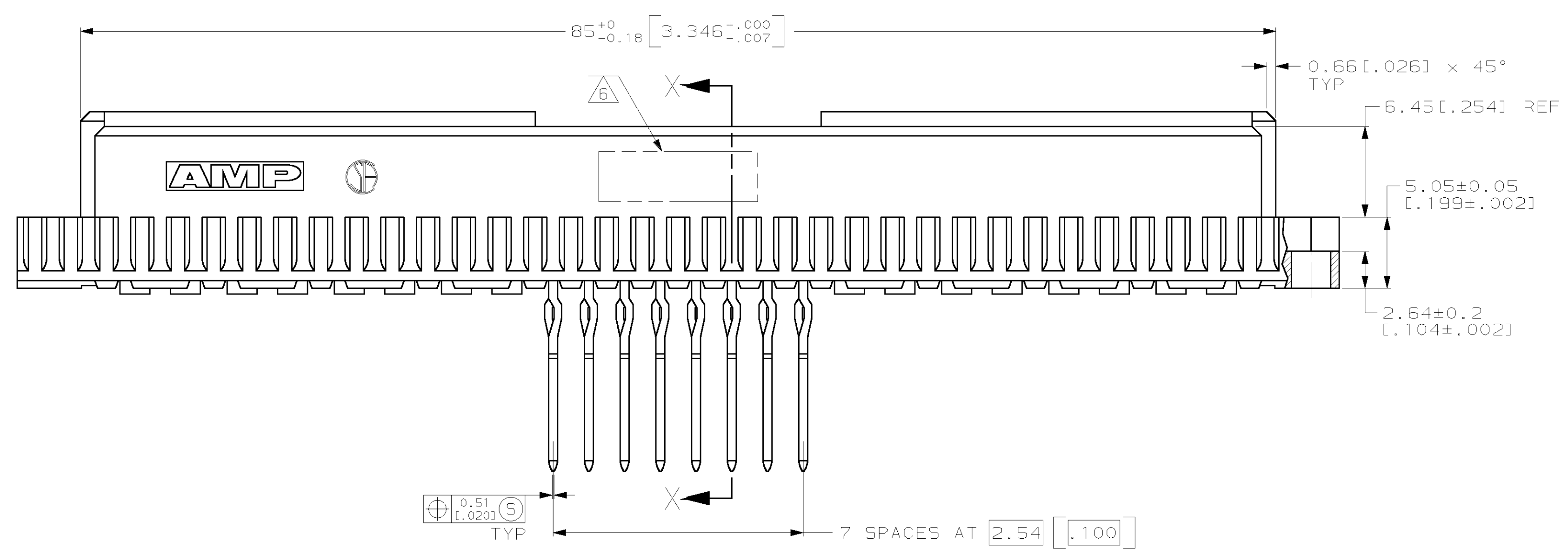
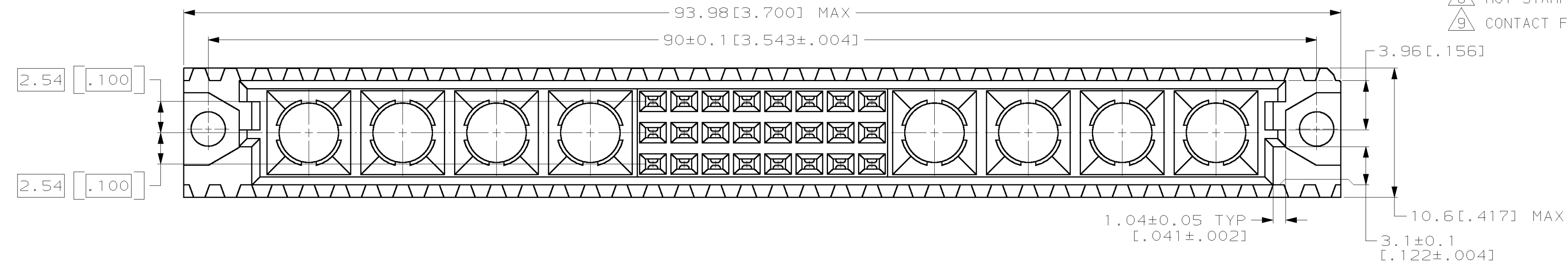


REVISONS		DATE	OWN	APPROV
AD	25			
0	DRAWN	-	-	-
A	REV PER EC 0621-80-99	06 APR 99	BC	CR

- 1 HOUSING MATERIAL: GLASS-FILLED POLYESTER. COLOR: GRAY.
- 2 CONTACT MATERIAL: PHOSPHOR BRONZE.
- 3 PART NUMBER AND DATE CODE HOT STAMPED IN THIS APPROXIMATE AREA.
- 4 ACTION PIN POSTS REQUIRE 1.57[.062] MINIMUM THICK PC BOARD. RECOMMENDED PC BOARD DRILLED HOLES ARE $\phi 1.151 \pm 0.025$ [.0453 \pm .0010] WITH 0.02-0.08[.001-.003] COPPER AND 0.008[.0003] MINIMUM TIN-LEAD PLATING. FINISHED HOLES AFTER PLATING $\phi 1.02 \pm 0.08$ [.040 \pm .002].
- 5 CONTACT FINISH: DIN 41612 CLASS 2 IN CONTACT AREA. TIN-LEAD PLATE ON POSTS.
- 6 TAIL LENGTH AFTER SEATED IN PC BOARD.
- 7 CONTACT POINT AFTER SEATED IN PC BOARD.
- 8 HOT STAMPING ON THIS SIDE.
- 9 CONTACT FINISH: DIN 41612 CLASS 2 IN CONTACT AREA AND LAST 5.08[.200] OF POST.



1-148427-5
148427-5
PART NUMBER

THIS DRAWING IS A CONTROLLED DOCUMENT.		DWN L. BRINER 10/1/97	AMP Incorporated Harrisburg, PA 17105-3608
DIMENSIONS: mm		CHK R. PATTERSON 10/1/97	
TOLERANCES UNLESS OTHERWISE SPECIFIED:		APPRO R. PATTERSON 10/1/97	RECEPTACLE ASSEMBLY, EUROCARD, TYPE M, 24 + 8 POSITION
0 PLC ±		PRODUCT SPEC	
1 PLC ±		APPLICATION SPEC	SIZE CAGE CODE DRAWING NO RESTRICTED TO
2 PLC ±0.13(.005)		WEIGHT	A1 00779 C-148427 -
3 PLC ±		CUSTOMER DRAWING	SCALE 4:1 SHEET 1 OF 1 REV A
4 PLC ±			
UNLESS FINISH			
HOUSING: △			
POST: △			