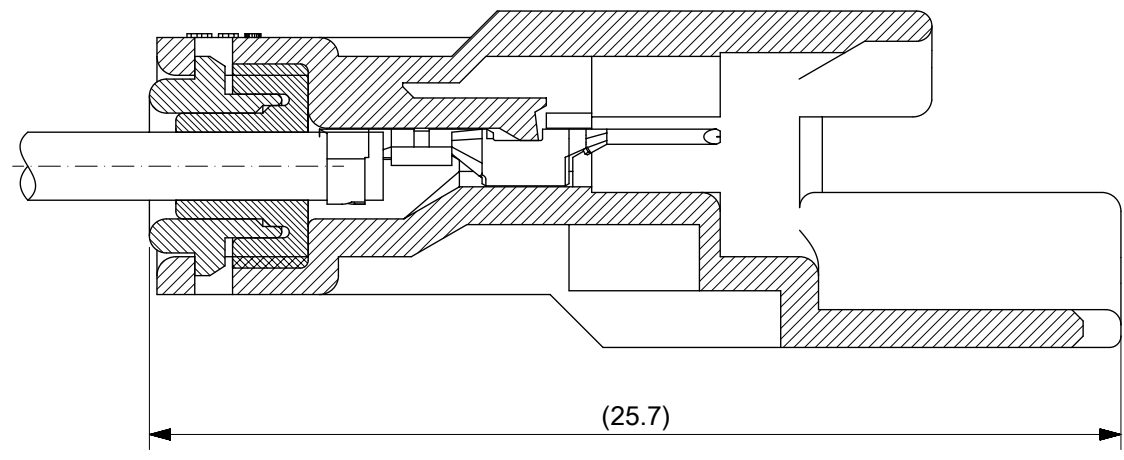
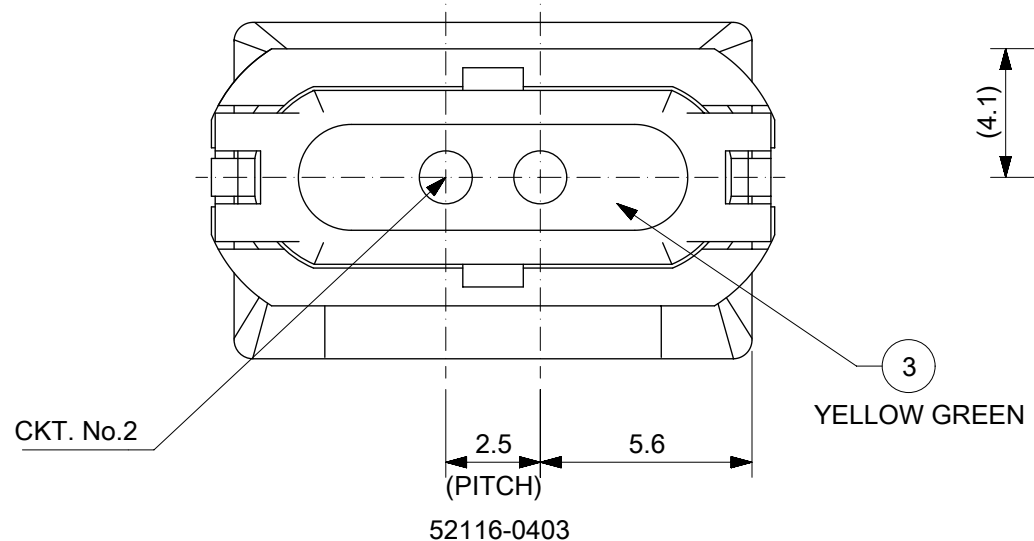
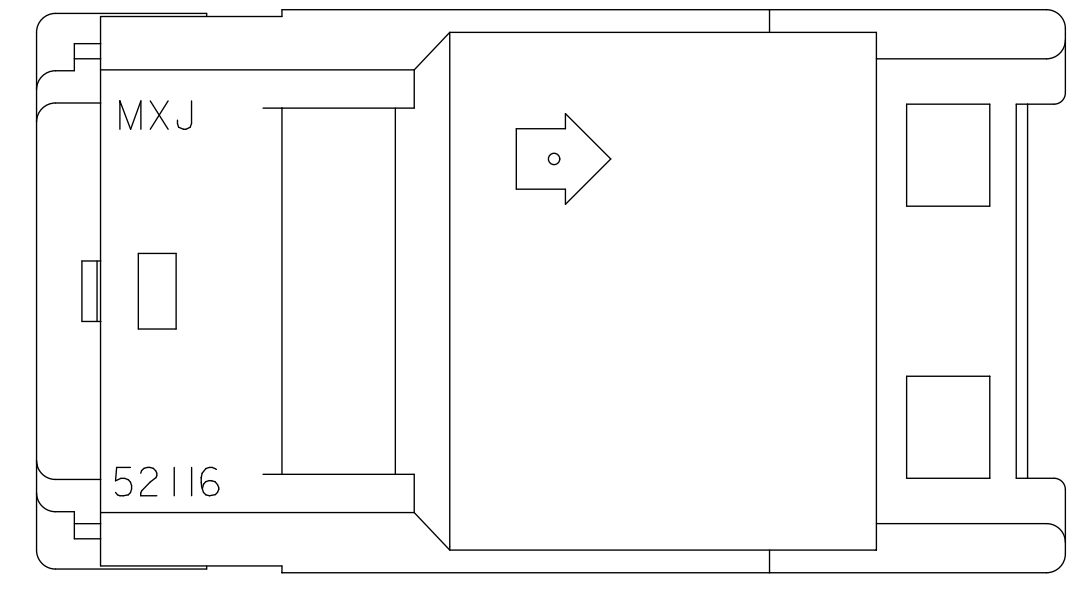


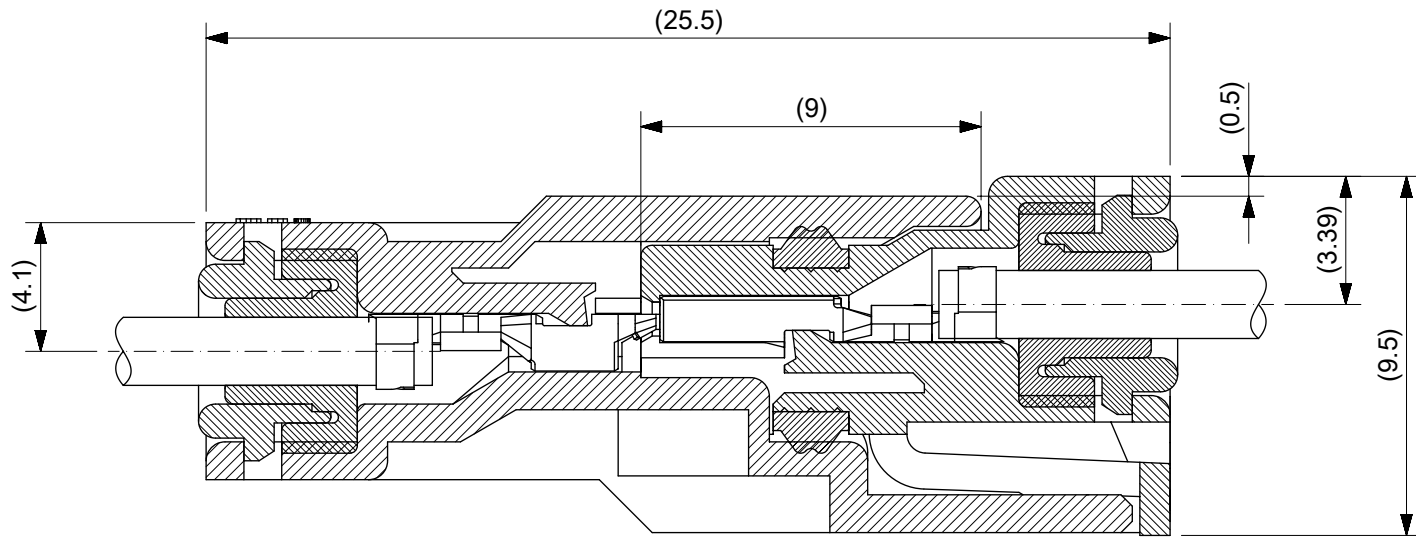
52116-0410, 52116-0411



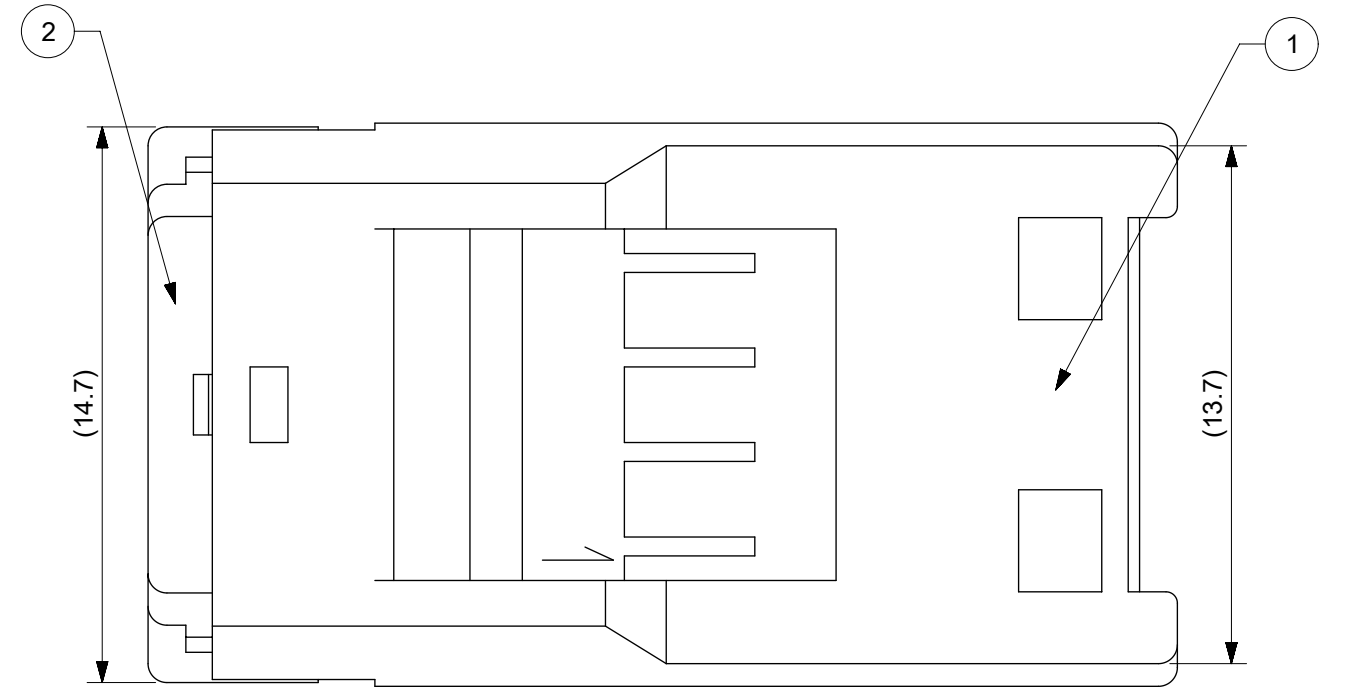
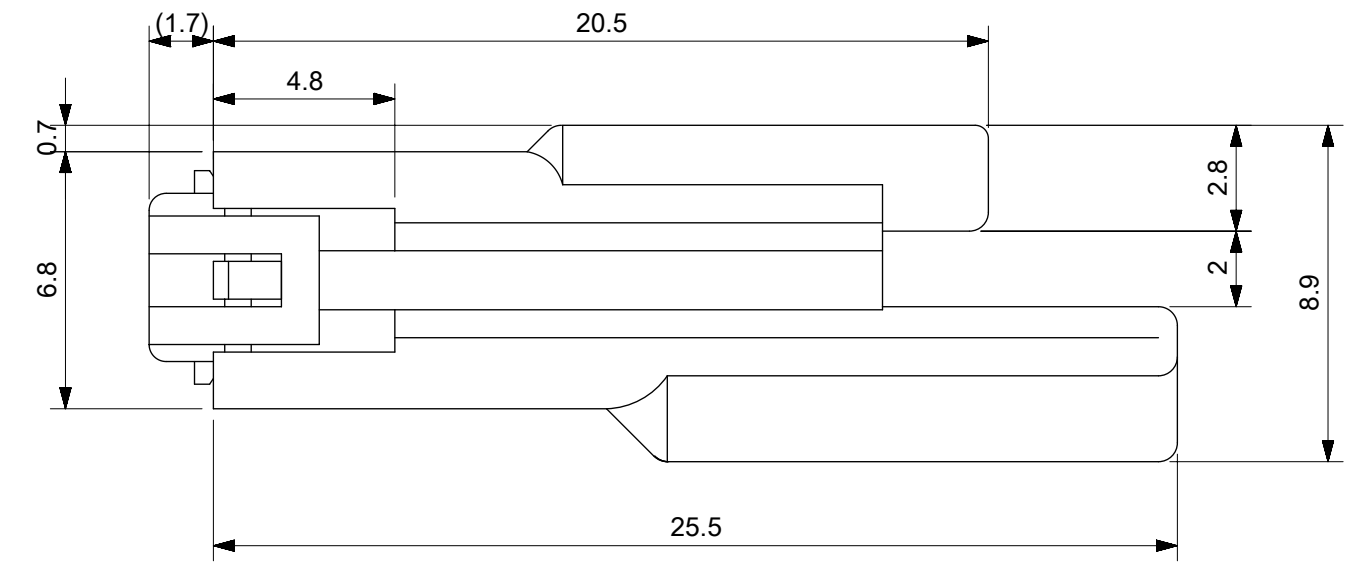
断面A-A (端子装着状態)  
SECTION A-A (TERM.ASSEMBLY DRAWING)



52116-0403



嵌合状態図  
FULLY MATED CONDITION



- 注記  
NOTE
- 適合端子 : 50038-8\*00  
APPLICABLE TERMINAL:50038-8\*00
  - 嵌合相手 : 52117-041\*  
MATES WITH:52117-041\*
  - 製品仕様書 : PS-52117-008  
PRODUCT SPECIFICATION:PS-52117-008
  - 取扱説明書 : AS-52117-001  
APPLICATION SPECIFICATION : AS-52117-001
  - ELV及びRoHS適合品  
ELV AND RoHS COMPLIANT

|         |              |           |
|---------|--------------|-----------|
| 黒 BLACK | 52116-0413   | 2         |
| 黒 BLACK | 52116-0411   | 4         |
| 白 WHITE | 52116-0410   | 4         |
| 色 COLOR | MATERIAL NO. | 極数<br>CKT |

THIS DRAWING CONTAINS INFORMATION THAT IS PROPRIETARY TO MOLEX ELECTRONIC TECHNOLOGIES, LLC AND SHOULD NOT BE USED WITHOUT WRITTEN PERMISSION

|  |         |                             |
|--|---------|-----------------------------|
| DIMENSION UNITS                                      | SCALE   | CURRENT REV DESC:           |
| mm   | 5:1     |                             |
| GENERAL TOLERANCES (UNLESS SPECIFIED)                |         | EC NO: 174474               |
| 10 UNDER   | ±0.2    | DRWN: RHORI 2018/04/02      |
| 10 OVER 30 UNDER                                     | ±0.25   | CHK'D: HKOMATSU 2018/04/13  |
| 30 OVER  | ±0.3    | APPR: TOSADA 2018/04/20     |
| ANGULAR  | ±3 °    | INITIAL REVISION:           |
| 4 PLACES   | ± 3.0 ° | DRWN: SINAKA 2011/11/29     |
| 3 PLACES   | ± 0.2   | APPR: MAYAMAMOTO 2012/01/18 |
| 2 PLACES   | ± 0.25  |                             |
| 1 PLACE  | ± 0.3   |                             |
| 0 PLACES   | ±       |                             |
| DRAFT WHERE APPLICABLE MUST REMAIN WITHIN DIMENSIONS |         | THIRD ANGLE PROJECTION      |
|  |         | DRAWING SERIES              |
|  |         | A2-SIZE 52116               |

|   |                |              |          |
|---|----------------|--------------|----------|
| <b>molex</b>  |                |              |          |
| 2.5 WATERPROOF CONN.<br>PLUG HSG ASSY W/POSITIVE LOCK |                |              |          |
| PRODUCT CUSTOMER DRAWING                              |                |              |          |
| DOCUMENT NUMBER                                       | DOC TYPE       | DOC PART     | REVISION |
| SD-52116-002  | PSD            | 001          | D4       |
| MATERIAL NUMBER                                       | CUSTOMER       | SHEET NUMBER |          |
| SEE CHART   | GENERAL MARKET | 1 OF 1       |          |

|                                       |            |            |
|---------------------------------------|------------|------------|
| GENERAL TOLERANCES (UNLESS SPECIFIED) |            |            |
| 10 UNDER                              | ±0.2       |            |
| 10 OVER 30 UNDER                      | ±0.25      |            |
| 30 OVER                               | ±0.3       |            |
| ANGULAR                               | ±3 °       |            |
| INITIAL REVISION:                     |            |            |
| DRWN                                  | Y.ASHIZAWA | 1988/07/12 |
| CHECK                                 | M.SAKANO   | 1994/04/12 |
| APPR                                  | M.ENOMOTO  | 1994/04/12 |

|                               |                    |               |   |
|-------------------------------|--------------------|---------------|---|
| シリコンゴム<br>SILICONE            | 図参照<br>SEE DRAWING | WIRE END SEAL | ③ |
| ポリエステル (15%G.F.)<br>POLYESTER | 表参照<br>SEE CHART   | CAP           | ② |
| ポリエステル (15%G.F.)<br>POLYESTER | 表参照<br>SEE CHART   | PLUG. HOUSING | ① |
| 材料<br>MATERIAL                | 色<br>COLOR         | 名称<br>TITLE   |   |
| 構成部品<br>COMPONENTS            |                    |               |   |

|                 |    |              |            |          |
|-----------------|----|--------------|------------|----------|
| DOCUMENT STATUS | P1 | RELEASE DATE | 2018/04/20 | 09:04:06 |
|-----------------|----|--------------|------------|----------|