

4

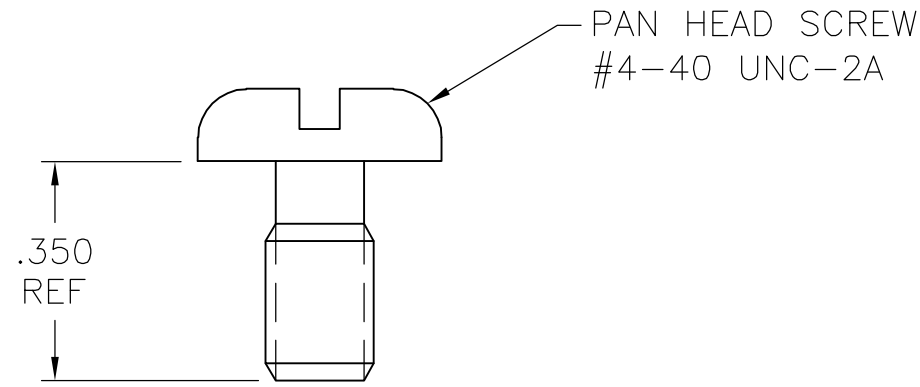
3

2

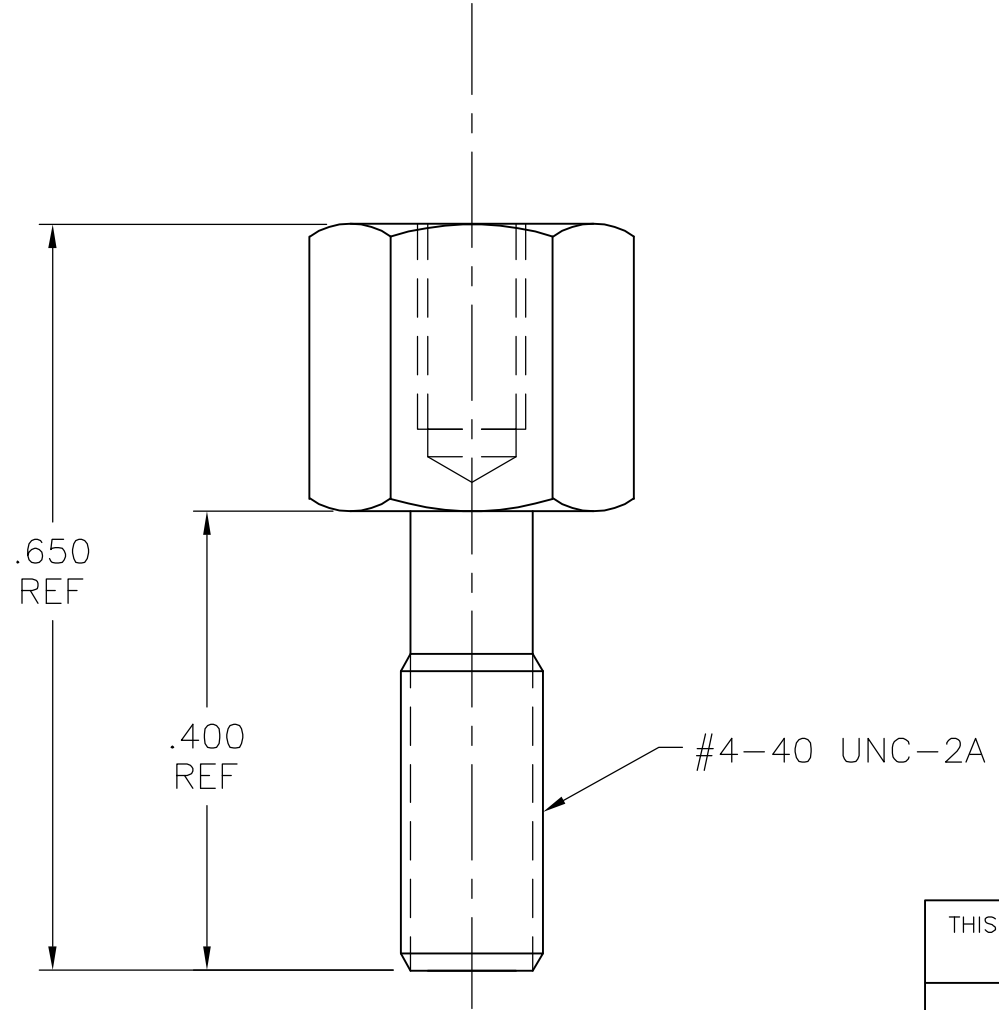
1

THIS DRAWING IS UNPUBLISHED. RELEASED FOR PUBLICATION
 © COPYRIGHT - BY TYCO ELECTRONICS CORPORATION. ALL RIGHTS RESERVED.

LOC	DIST	REVISIONS					
GP	00	P	LTR	DESCRIPTION	DATE	DWN	APVD
			0	RELEASED PER EC OS13-0288-05	03OCT05	BM	WM



1 MATERIAL:
 PAN HEAD SCREW: ZINC PLATED STEEL.
 MOUNTING SCREW: ZINC PLATE WITH YELLOW TRIVALENT CHROMATE OVER STEEL.



5552631-1
 PART NUMBER

THIS DRAWING IS A CONTROLLED DOCUMENT.		DWN B. MCMASTER	03OCT05	tyco Electronics	Tyco Electronics Corporation Harrisburg, PA 17105-3608		
DIMENSIONS: INCHES		CHK W. MILLHIMES	03OCT05		NAME HARDWARE KIT, BACK PANEL MOUNT, SCREW LOCK, CHAMP		
TOLERANCES UNLESS OTHERWISE SPECIFIED:		APVD W. MILLHIMES	03OCT05	PRODUCT SPEC -			
0 PLC ± -		APPLICATION SPEC		-			
1 PLC ± -		WEIGHT		-			
2 PLC ± -		SIZE		A3	CAGE CODE	DRAWING NO	RESTRICTED TO
3 PLC ± -		SCALE		4:1		-	
4 PLC ± -		SHEET		1 of 1		REV	
ANGLES ± -		FINISH		G=5552631		O	
MATERIAL		CUSTOMER DRAWING					
1		1					