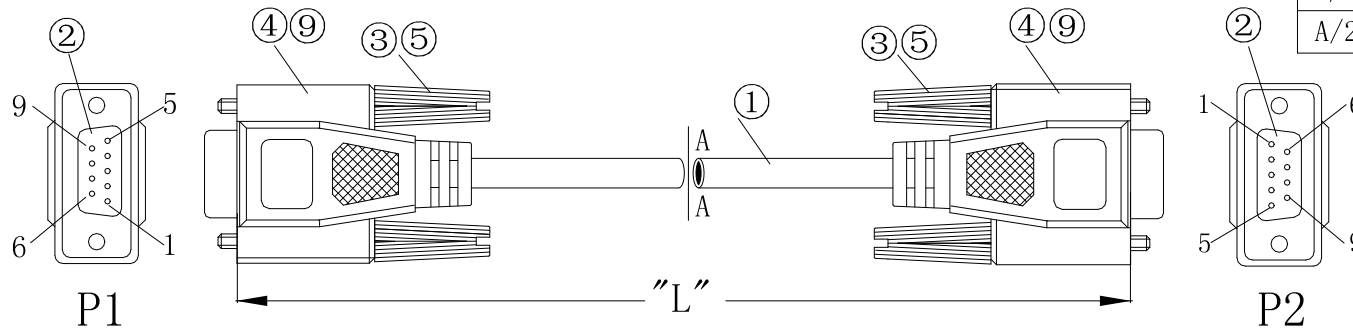


UNIT:MM

REVISION INFORMATION

Rev.	Rev. Date	Modified By	Brief Description
A/1	19-05-23	B0523D	Change P1 Contact
A/2	20-03-27	B0327C01	Increase 3m



PIN ASSIGNMENT:

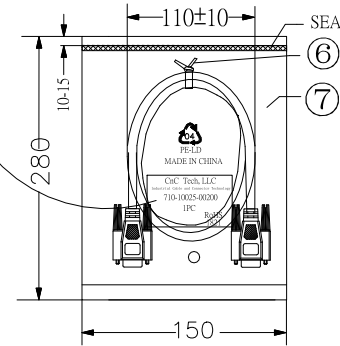
P1	COLOR	P2
1	BLACK	1
2	GREY	2
3	YELLOW	3
4	PURPLE	4
5	ORANGE	5
6	RED	6
7	BROWN	7
8	GREEN	8
9	BLUE	9
SHELL	D. W	SHELL

Electrical test:

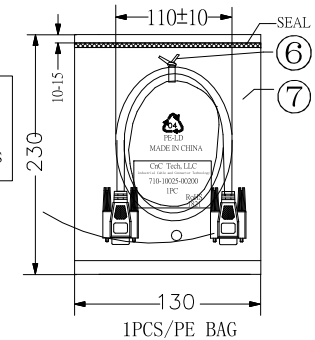
- 100% short, (Open, Short, Miss Wire)
- Conduct resistance:2 Ohm(max)
- Insulation resistance:5Mohm(min)
- Hi-Pot:300V DC/10ms

CnC Tech, LLC
Industrial Cable and Connector Technology
710-10025-00300
IPC

RoHS
1821



1PCS/PE BAG



1PCS/PE BAG

CnC Tech, LLC
Industrial Cable and Connector Technology
710-10025-00200
IPC

RoHS
1821

PART NO	WIRE LENGTH " "	BUYER COLOR	VENDOR COLOR	CUT LENGTH
710-10025-00200	2000±50	BEIGE	IV-29#	2010-2020MM
710-10025-00300	3000±50	BEIGE	IV-29#	3020-3030MM

NO.	NAME	QTY	SPECIFICATION
⑨	TUBE	2	HEAT SHRINK TUBE BLACK OD:1.5*L15MM
⑧	PE BAG	1/10	710-10025-00200 CLEAR SIZE:280X330X0.05mm PRINT BLACK"MADE IN CHINA"+10PCS"
			710-10025-00300 CLEAR SIZE:360X380X0.05mm PRINT BLACK"MADE IN CHINA"+10PCS"
⑦	PE BAG	1	710-10025-00200 CLEAR SIZE:130X230X0.05mm PRINT BLACK"MADE IN CHINA"+1PC"
			710-10025-00300 CLEAR SIZE:150X280X0.05mm PRINT BLACK"MADE IN CHINA"+1PC"
⑥	TIE	1	710-10025-00200 WHITE L=100mm
			710-10025-00300 WHITE L=120mm
⑤	MOLDED		2002-134/135 (PVC 30P COLOR:IV-29#)
④	MOLDED		2002-133 (PVC 40P COLOR:IV-29#)
③	SCREW	4	THUMB SCREW 4*47MM (4#-40UNC) NICKEL
②	CONN	2	DB 9PIN FEMALE PIN G/F SHELL-NICKEL SOLDER TYPE INSULATION COLOR:BLUE
①	CABLE	1	NOUL 30AWG (7/0.10)*9C+D. W+AL/MY+JACKET COLOR:BEIGE (IV-29#) OD:5.0mm

CnC Tech, LLC
Industrial Cable and Connector Technology

DRAWN BY:	DATE: 2020/03/27	DESCRIPTION: 9C CABLE DB9P/F+DB9P/F
CHECKED BY:	SHEET 1 of 1	ITEM NO. 710-10025-XXXX
APPROVED BY:	SCALE 1:1	REV. A/2 UNIT: mm