

330301 ✓ ACTIVE

SOLISTRAND

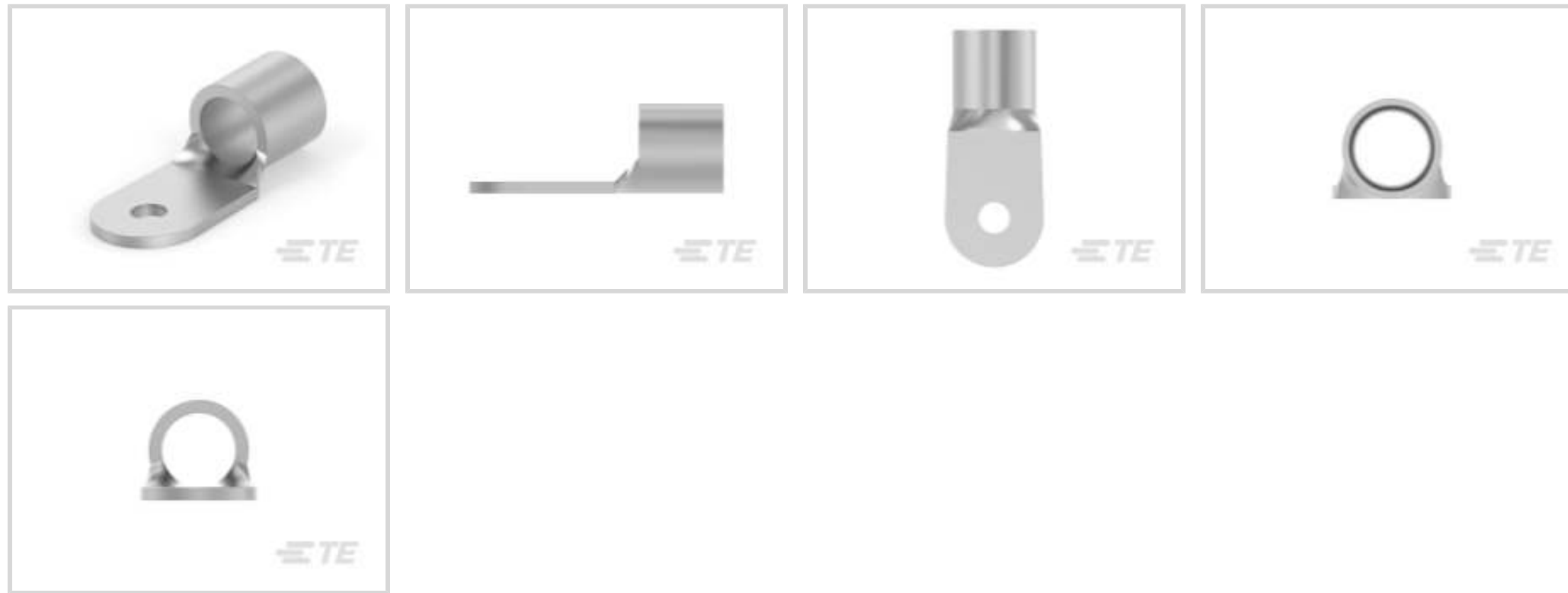
TE Internal #: 330301

Ring Terminals & Spade Terminals, Ring Tongue, 2 AWG Wire Size,
34 – 35 mm² Wire Size, 52600 – 83700 CMA Wire Size, Stud Size #10

[View on TE.com >](#)



Terminals & Splices > Ring Terminals & Spade Terminals



Ring & Spade Terminal Type: **Ring Tongue**

Wire Size: **52600 – 83700 CMA**

Stud Size: **#10**

Features

Product Type Features

Terminal Features	Sheared
Stud Size	#10
Sealable	No
Wire Insulation Support Retention Type	Non-Insulation Support

Configuration Features

Number of Holes	1
-----------------	---

Body Features

Product Weight	15.275 g
----------------	----------

Contact Features

Ring & Spade Terminal Type	Ring Tongue
Barrel Type	Closed
Terminal Orientation	Straight
Terminal Plating Material	Tin

Mechanical Attachment

Wire Insulation Support	Without
-------------------------	---------



Dimensions

Wire Size	52600 – 83700 CMA
Stud Diameter	5 mm[.197 in]
Tongue Thickness	.79 mm[.031 in]
Product Length	38.79 mm[1.527 in]
Barrel Inside Diameter	9.4 mm[.37 in]

Usage Conditions

Insulation Option	Uninsulated
Operating Temperature Range	170 °C[338 °F]

Operation/Application

Compatible With Wire Base Material	Copper
Compatible With Wire Plating Material	Tin

Industry Standards

Government Qualified Terminal	No
-------------------------------	----

Packaging Features

Packaging Quantity	50
Packaging Method	Loose Piece

Product Compliance

[For compliance documentation, visit the product page on TE.com>](#)

EU RoHS Directive 2011/65/EU	Compliant
EU ELV Directive 2000/53/EC	Compliant
China RoHS 2 Directive MIIT Order No 32, 2016	No Restricted Materials Above Threshold
EU REACH Regulation (EC) No. 1907/2006	Current ECHA Candidate List: JUNE 2023 (235) Candidate List Declared Against: JAN 2023 (233) Does not contain REACH SVHC
Halogen Content	Low Halogen - Br, Cl, F, I < 900 ppm per homogenous material. Also BFR/CFR/PVC Free
Solder Process Capability	Not applicable for solder process capability

Product Compliance Disclaimer

This information is provided based on reasonable inquiry of our suppliers and represents our current actual knowledge based on the information they provided. This information is subject to change. The part numbers that TE has identified as



EU RoHS compliant have a maximum concentration of 0.1% by weight in homogenous materials for lead, hexavalent chromium, mercury, PBB, PBDE, DBP, BBP, DEHP, DIBP, and 0.01% for cadmium, or qualify for an exemption to these limits as defined in the Annexes of Directive 2011/65/EU (RoHS2). Finished electrical and electronic equipment products will be CE marked as required by Directive 2011/65/EU. Components may not be CE marked. Additionally, the part numbers that TE has identified as EU ELV compliant have a maximum concentration of 0.1% by weight in homogenous materials for lead, hexavalent chromium, and mercury, and 0.01% for cadmium, or qualify for an exemption to these limits as defined in the Annexes of Directive 2000/53/EC (ELV). Regarding the REACH Regulation, the information TE provides on SVHC in articles for this part number is based on the latest European Chemicals Agency (ECHA) 'Guidance on requirements for substances in articles' posted at this URL: <https://echa.europa.eu/guidance-documents/guidance-on-reach>

Compatible Parts



TE Part # 1490414-2
HYP10 SOLIS HD 6-4AWG INDENTER



TE Part # 48127
HYP8 SOLIS 6-2AWG INDENTER



TE Part # 45433
HYP8/10 SOLIS 2AWG DIE SET



TE Part # 1490413-4
HYP10 SOLIS 2AWG NEST



TE Part # 600850
ROTO-CRIMP TOOL (ASI)



TE Part # 601075
BANTAM ROTA-CRIMP TOOL



TE Part # 330301-2
TERMINAL,SOLIS R 2 10 AUPL



TE Part # 330301-3
TERMINAL,SOLIS, R, 2, M5



TE Part # 48130
HYP8 SOLIS 2AWG NEST

Customers Also Bought



TE Part #1-747944-6
KIT,PLUG,9P,HDE,SHLD ENCLSRE



TE Part #61289-1
RING 12-8 AWG TPBR



TE Part #321869
TERMINAL,SOLIS R 2/0 1/4



TE Part #321875
TERMINAL,SOLIS R 3/0 3/8



Documents

Product Drawings

TERMINAL,SOLIS R 2 10

English

CAD Files

3D PDF

3D

Customer View Model

[ENG_CVM_CVM_330301_W.2d_dxf.zip](#)

English

Customer View Model

[ENG_CVM_CVM_330301_W.3d_igs.zip](#)

English

Customer View Model

[ENG_CVM_CVM_330301_W.3d_stp.zip](#)

English

3D PDF

English

Customer View Model

[ENG_CVM_330301_F.3d_igs.zip](#)

English

Customer View Model

[ENG_CVM_330301_F.3d_stp.zip](#)

English

Customer View Model

[ENG_CVM_330301_F.2d_dxf.zip](#)

English

By downloading the CAD file I accept and agree to the [Terms and Conditions](#) of use.

Datasheets & Catalog Pages

SOLISTRAND - QRG

English

Product Environmental Compliance

Product Compliance

English



Product Compliance

English

Agency Approvals

UL Report

English

UL Report

English

UL Report

English