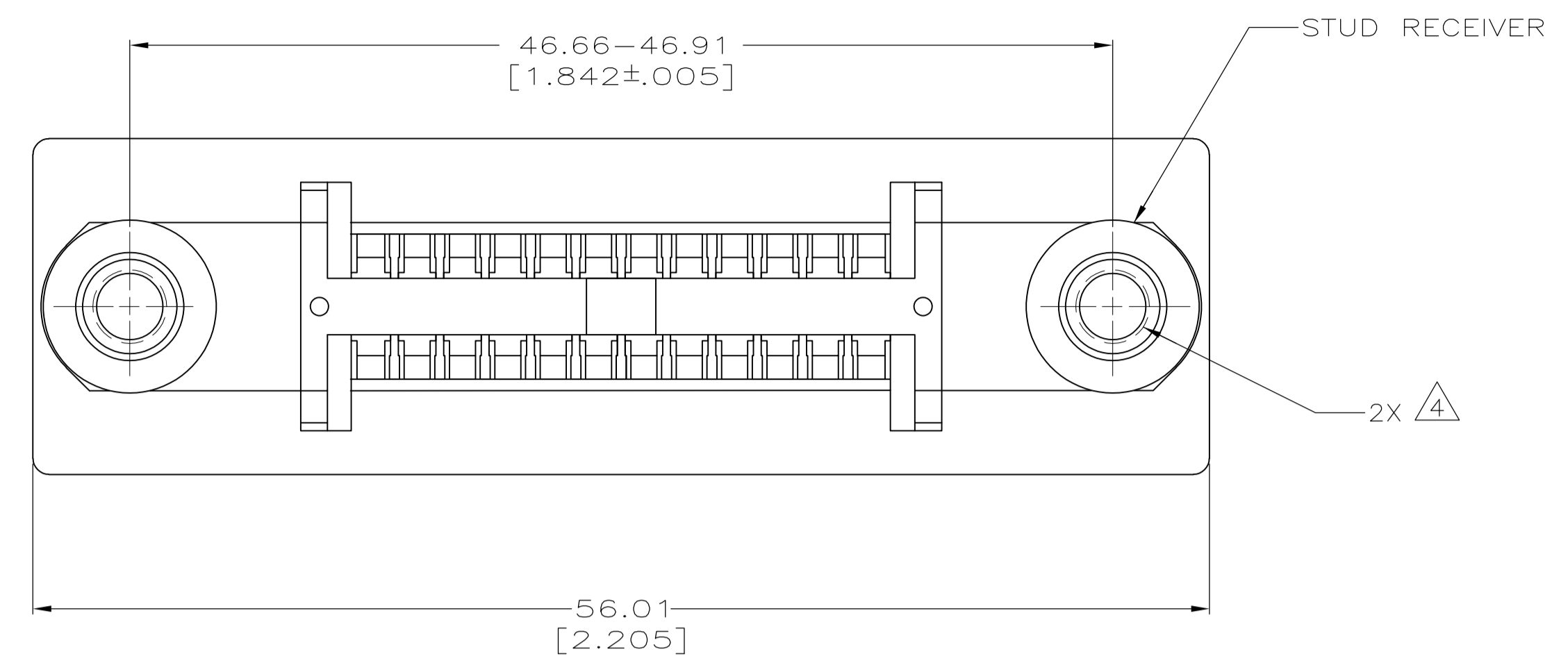
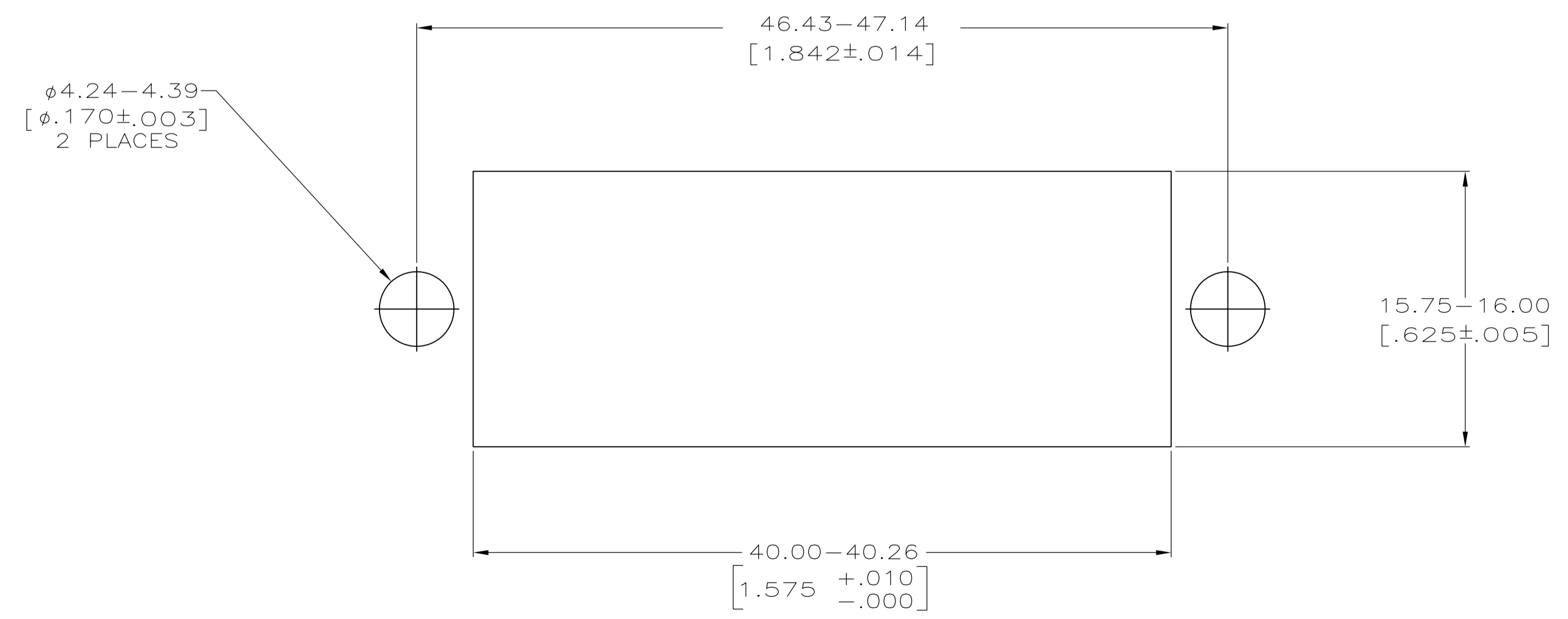
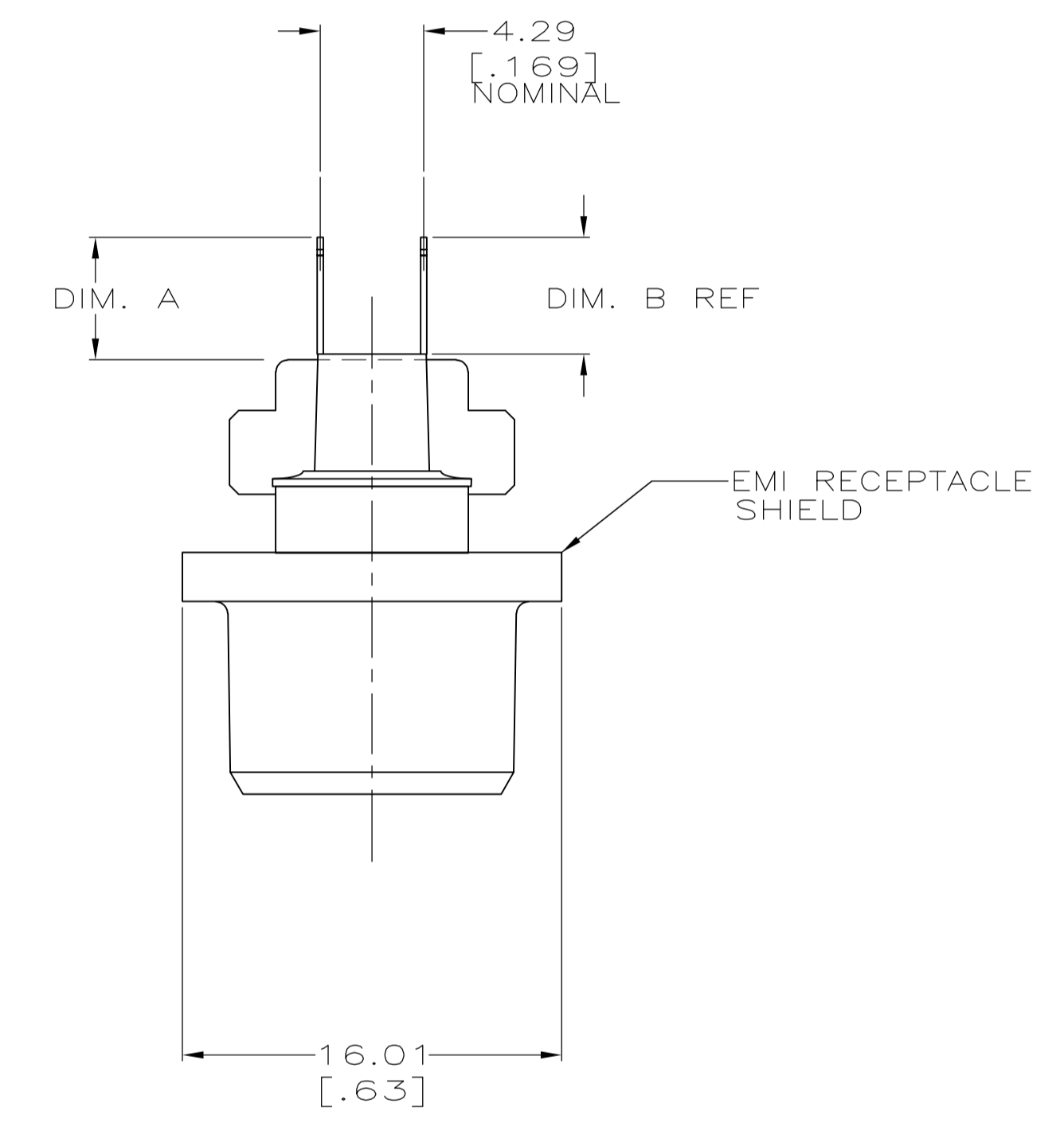
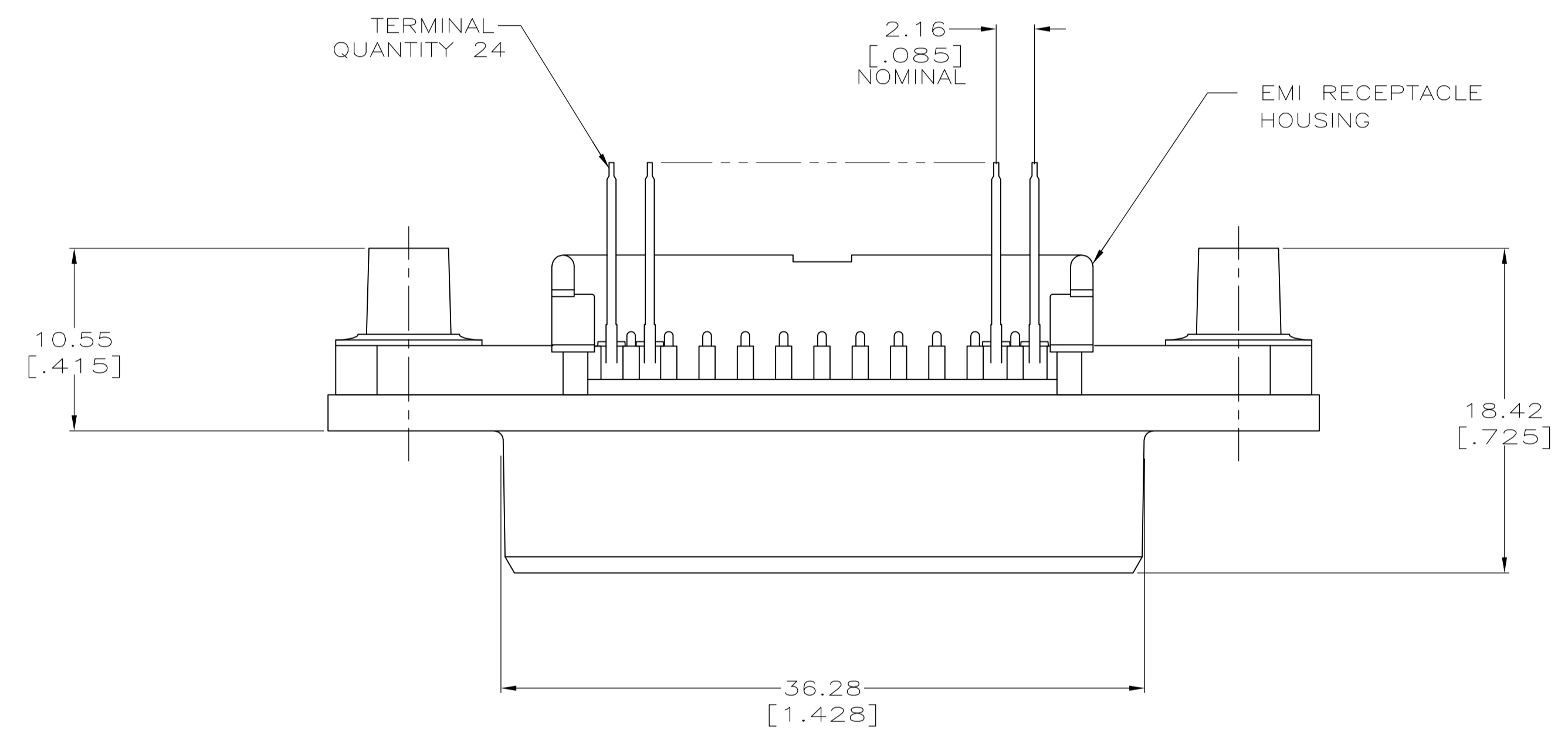


LOC		DIST		REVISIONS			
GP	00	REV	DESCRIPTION	DATE	BY	CHK	APPV
		B	REVISED PER ECO-08-007327	22JUL08	BM	WM	
		B1	REVISED PER ECO-10-000444	19JAN10	KK	HMR	



- 1. ALL DIMENSIONS SHOWN ARE MAXIMUM UNLESS OTHERWISE SPECIFIED.
- 2. THE CONTACT SURFACES OF THE TERMINALS ARE COATED WITH LUBRICANT.
- 3. MATERIAL: HOUSING - POLYESTER, BLACK. TERMINAL - PHOS BRONZE PLATED WITH EITHER 0.76µm [.000030] MINIMUM GOLD PLATE OR GOLD FLASH OVER PALLADIUM NICKEL PLATE, 0.76µm [.000030] MINIMUM TOTAL ON MATING SURFACE. 3.05µm [.000120] MINIMUM TIN PLATE ON TAILS OVER 1.27µm [.000050] MINIMUM NICKEL UNDERPLATE OVER ENTIRE TERMINAL. STUD RECEIVER - STAINLESS STEEL. SHIELD - NICKEL PLATED ZINC DIE CASTING.
- 4. HOLES TO BE TAPPED AFTER PLATING.
- 5. OBSOLETE PARTS: OBSOLETE CIS STREAMLINING PER D.RENAUD/D.SINISI



SUGGESTED REAR PANEL CUTOUT DIMENSIONS

SIZE	CAGE CODE	DRAWING NO	RESTRICTED TO
4-40 UNC-2B	3.05 [.120]	3.81 [.150]	5554501-3
6-32 UNC-2B	4.70 [.185]	5.47 [.215]	5554501-2
6-32 UNC-2B	3.05 [.120]	3.81 [.150]	5554501-1

THIS DRAWING IS A CONTROLLED DOCUMENT.

DIM: B	LATTUCA	11AUG05	Tyco Electronics Corporation Harrisburg, PA 17105-3608
CHK: W	MILLHIMES	11AUG05	
APPV: M	WALMSLEY	11AUG05	Tyco Electronics
NAME	RECEPTACLE ASSEMBLY, 24 POSITION, VERTICAL MOUNTING, SHIELDED, SCREW LOCK, CHAMP-LOK®		
DIMENSIONS: mm [INCHES]	TOLERANCES UNLESS OTHERWISE SPECIFIED:	APPLICATION SPEC	
0. PLC ± -	1. PLC ± -	SIZE: A1	
2. PLC ± -	3. PLC ± -	CAGE CODE: 00779	
4. PLC ± -	ANGLES ± -	DRAWING NO: 5554501	
MATERIAL	FINISH	WEIGHT: -	
		CUSTOMER DRAWING	

SCALE: 4:1 SHEET 1 OF 1 REV B1