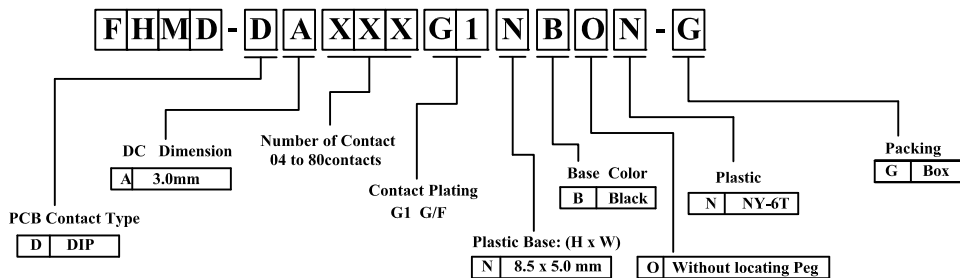


P.C.B LAYOUT



REV.	DESCRIPTION	DATE
A	New Drawing	2010/02/08

LTR	Part Name	Material	Description	QTY
1	Housing	Nylon UL94V-0	260°C for 10 Seconds . Initial : 1000M Ohms Min. After Test : 500M Ohms Min.	1
2	Contact	Brass	Current Rating : 3.0A Initial : 20m Ohms Max. After Test : 40m Ohms Max.	xx

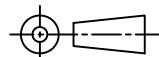
Temperature Rating : -40°C ~ +125°C .
Dielectric Withstanding Voltage : 1000V AC/Min .

RoHS compliant

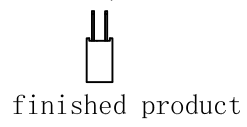
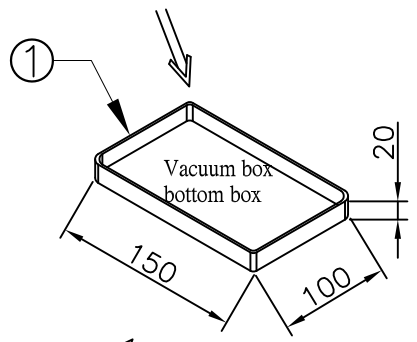
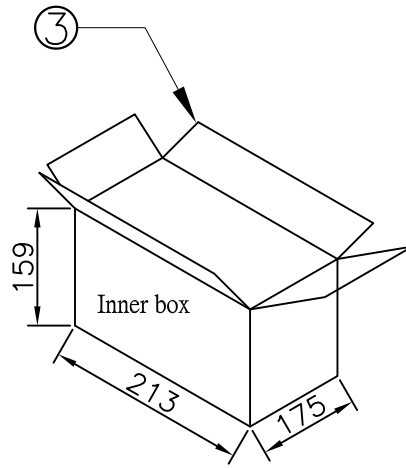
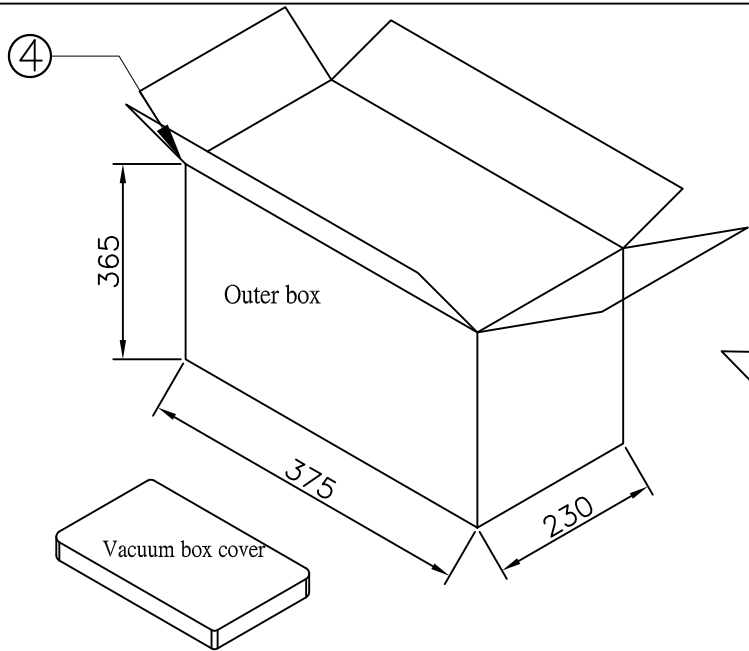
Superior Tech Co., Ltd.

General Tolerance		TITLE 2.54x2.54mm Female Header Dual Row DIP Type		
X. ± 0.5		DRAWN	DATE	NO.
.X ± 0.3		Zhanghonglan	02-08-10'	002
.XX ± 0.2		CHECK	DATE	PART NO.
.XXX ± 0.1		APPROVED	DATE	FHMD-DAXXXG1NBON-G
Angle	± 5°			CUSTOMER NO.
				DK

REV.	UNIT	SCALE
A	mm	3:1



REV.	DESCRIPTION	DATE
A	New Drawing	2022/05/30



RoHS compliant

*Mantissa or zero number packaging need to fill the packaging space.

Serial number	name	Specifications	Amount of package material	Number of packages
③	Outer box	B-ZX-W-010-F001	1 PCS	16000 PCS / Case
②	Inner box	B-ZX-R-001-F001	4 PCS	4000 PCS / Inner Case
①	Vacuum box	B-ZK-H-002-F001	40 PCS	400 PCS / Vacuum Box

Superior Tech Co., Ltd.

General Tolerance		TITLE	FHMD-DA004G1NBON-B_Packing	
X. ± 0.5		DRAWN	DATE	NO.
.X ± 0.3		Tom	2022/05/30	002
.XX ± 0.2		CHECK	DATE	PART NO.
.XXX ± 0.1		APPROVED	DATE	FHMD-DA004G1NBON-G
Angle	± 5°			CUSTOMER NO.
				DK

REV.	UNIT	SCALE	
A	mm	1:10	

(Q2-R03-01A) ST-R05-07