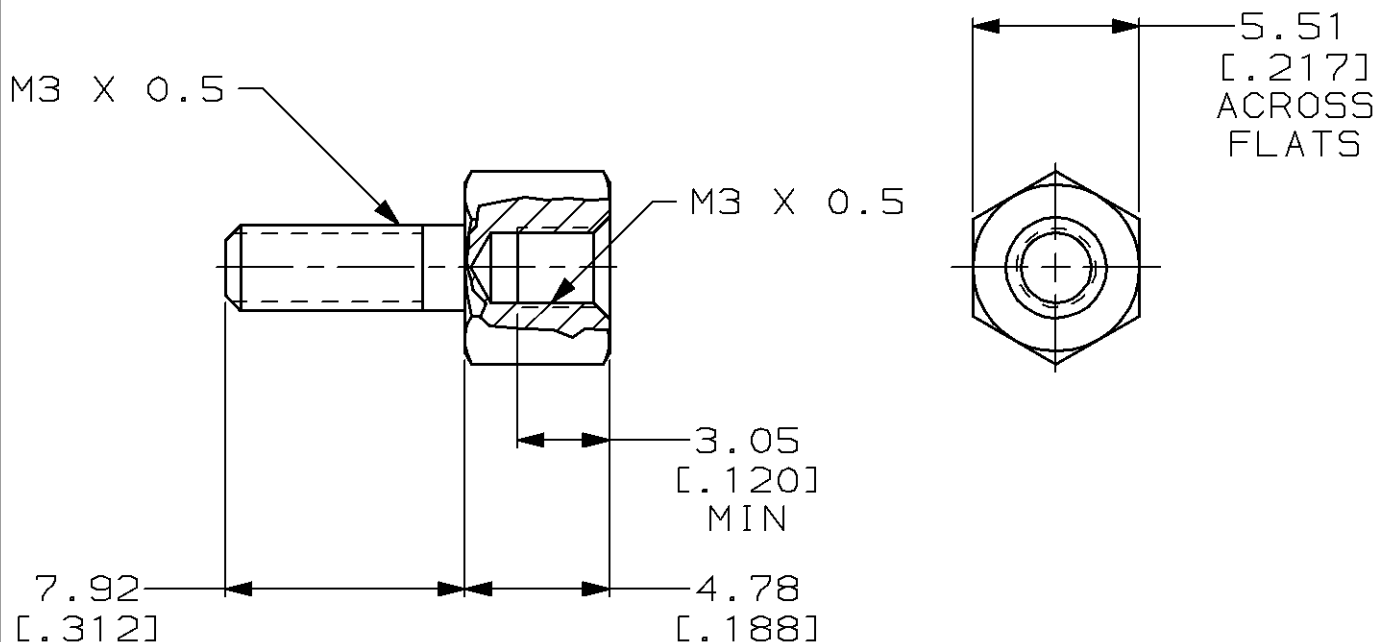


LOC	DIST	REVISIONS					
BD	48	P	LTR	DESCRIPTION	DATE	DWN	APVD
			0	RELEASED FOR CUSTOMER	13 OCT 98	-	-



- 1 5.08µm [.000200] MIN ZINC PLATED PER ASTM B633, YELLOW CHROMATE.
- 2 5.08µm [.000200] MIN ZINC PLATED PER ASTM B633, CLEAR CHROMATE.

2	207882-3
1	207882-2
FINISH	PART NUMBER

RELEASED FOR PUBLICATION

ALL RIGHTS RESERVED. BY AMP INCORPORATED. COPYRIGHT 19

DIMENSIONS: mm	DWN	B. CARBO	13 OCT 98	MATERIAL	CARBON STEEL	FINISH	SEE TABLE
	CHK	C. OBERMAN	13 OCT 98	<div style="display: flex; align-items: center;"> <div> <p>AMP Incorporated</p> <p>Harrisburg, PA 17105-3608</p> </div> </div>			
TOLERANCES UNLESS OTHERWISE SPECIFIED:	APVD	D. KELLER	13 OCT 98				
0 PLC ±-	PRODUCT SPEC			SCREWLOCK, FEMALE, HD			
1 PLC ±-	APPLICATION SPEC			SERIES, METRIC, AMPLIMITE			
2 PLC ±0.13 [.005]	WEIGHT			SIZE	CAGE CODE	DRAWING NO	RESTRICTED TO
3 PLC ±-	-			A4	00779	C- 207882	-
4 PLC ±-	-			CUSTOMER DRAWING			
ANGLES ±-	-			SCALE	4:1	SHEET	1 OF 1
	-			REV 0			