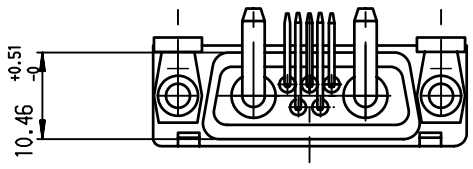
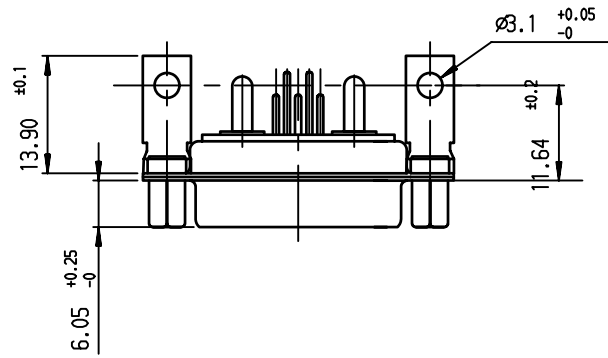
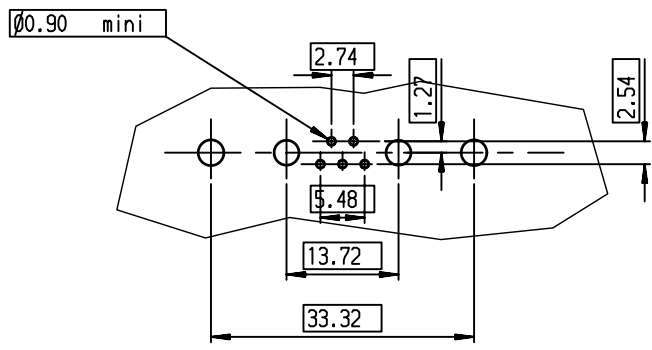


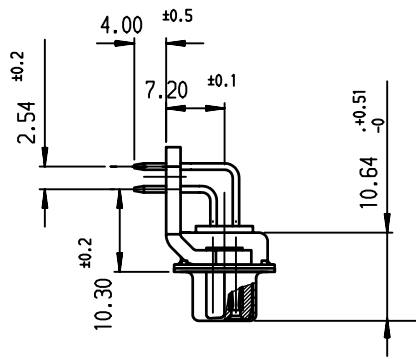
Threaded A



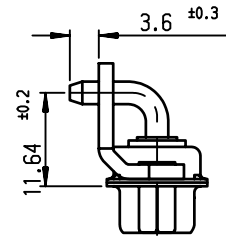
LAYOUT DIMENSIONS (after plating)
CONNECTOR SIDE VIEW



VIEW WITHOUT POWERS CONTACTS



VIEW WITH POWERS CONTACTS



TIN LEAD PART NUMBER

DAV7W2S500M40	UNC 4.40
DAI7W2S500M40	M3
PART NUMBER	Threaded A

LEAD FREE PART NUMBER

DAV7W2S500M40LF	UNC 4.40
DAI7W2S500M40LF	M3
PART NUMBER	Threaded A

GENERAL CHARACTERISTICS AND ROHS INFORMATIONS:

SEE DRAWING C01-8639-0001

European Views

www.fciconnect.com		surface ISO 1302	tolerance std ISO 406 ISO 1101	projection mm	size A3	Scale 1.5
Dr JARRY 2001/01/05		TOLERANCES UNLESS OTHERWISE SPECIFIED				
Eng PESSION 2001/01/05	ANGULAR	LINEAR	0.X ±0.1			
Chr LEGARE 2001/01/05	0.XX ±2°	Product family		ECN	LS06-0095	
Appr LEGARE 2001/01/05	D-SUB		Spec ref -			
FCI		SOCKET CONNECTOR RIGHT ANGLED WITH POWERS CONTACTS			C01-8639-1805	
catalog no		-		CUSTOMER sheet 1 of 1		

rev	ecn no	dr	date
B	-	DEB	2003/10/01
C	LS05-001	MPE	2005/03/09
D	LS06-0095	LGO	2006/07/18
-	-	-	-
-	-	-	-
-	-	-	-



Copyright FCI.