


UEGM 22,5 BK OHNE LOGO

Order No.: 2792882

<http://eshop.phoenixcontact.de/phoenix/treeViewClick.do?UID=2792882>

Electronic housing, for PCB insertion, fully equipped with 3 screw or 6
tab connections per side

Commercial data

GTIN (EAN)	 4 017918 243050
Note	Made-to-order
sales group	F019
Pack	10 pcs.
Customs tariff	85369010

Product notesWEEE/RoHS-compliant since:
01/01/2003

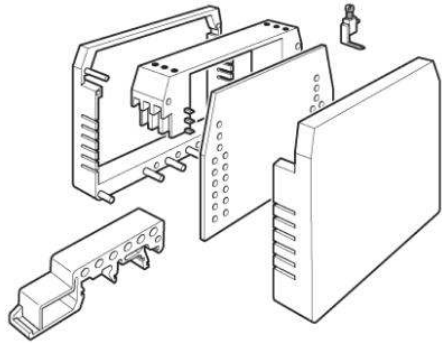
[http://
www.download.phoenixcontact.com](http://www.download.phoenixcontact.com)
Please note that the data given
here has been taken from the
online catalog. For comprehensive
information and data, please refer
to the user documentation. The
General Terms and Conditions of
Use apply to Internet downloads.

Accessories

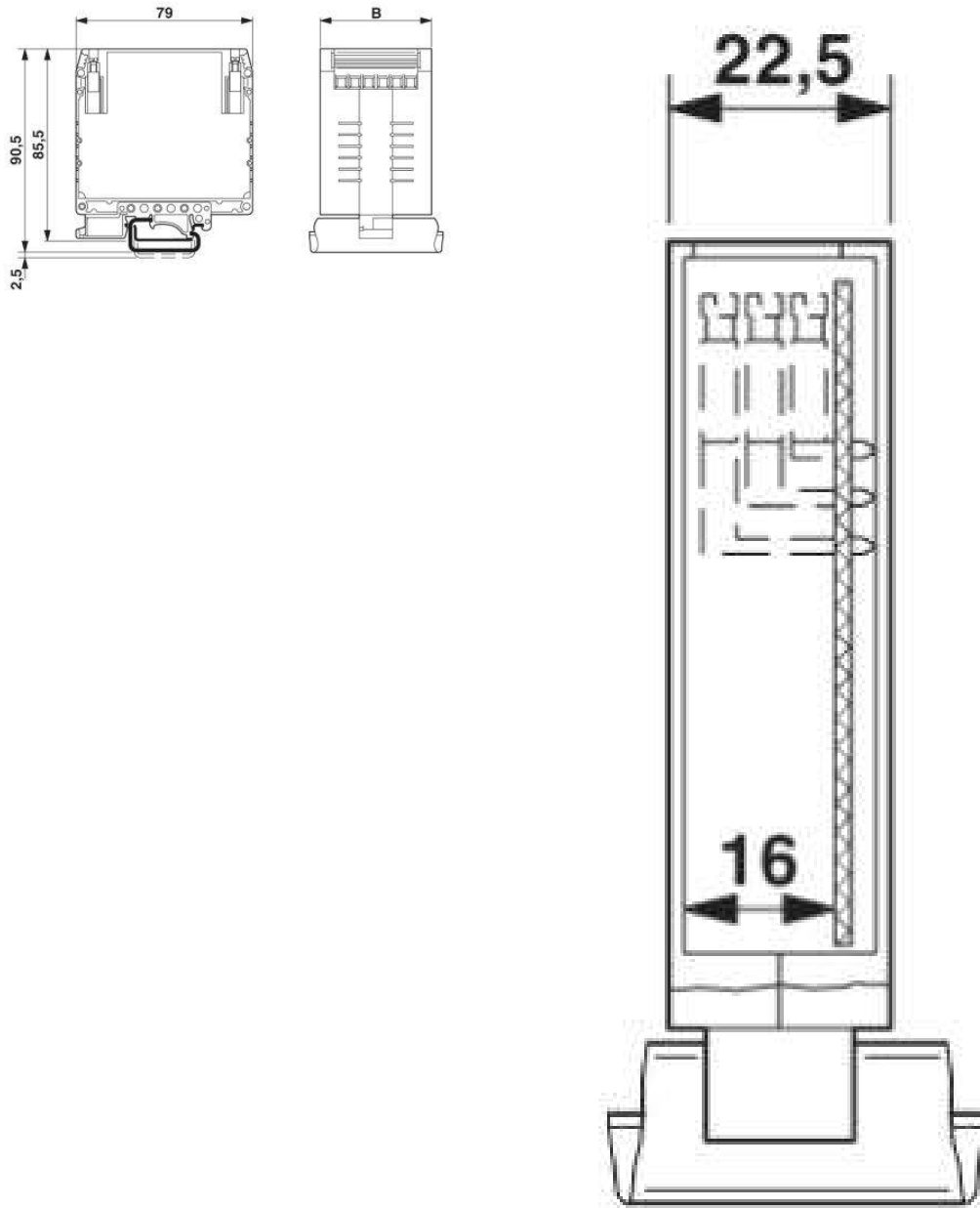
Item	Designation	Description
Bridges		
2820916	DB 50- 90 BK	Wire bridge, Color: black
2820929	DB 50- 90 GY	Wire bridge, Color: gray

Diagrams/Drawings

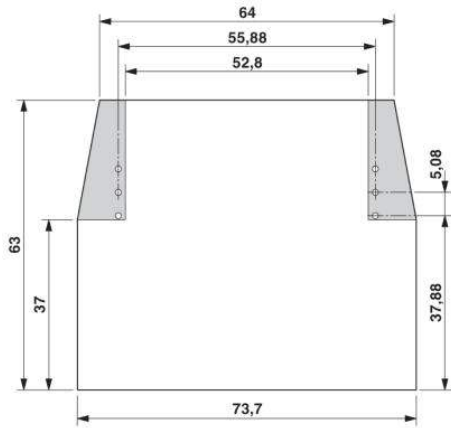
Explosion drawing



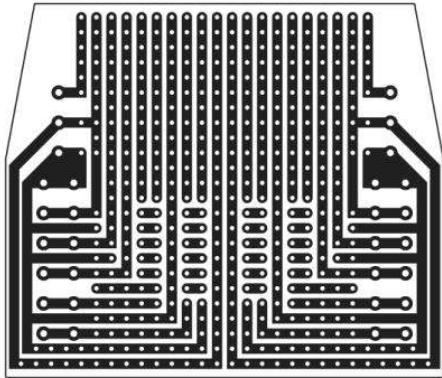
Dimensioned drawing



UEGM 22,5... with 1 PCB, 6 positions or
12 positions (FS/FS)



Schematic diagram



Address

PHOENIX CONTACT Deutschland GmbH
Flachmarktstr. 8
32825 Blomberg, Germany
Phone +49 5235 3 12000
Fax +49 5235 3 41200
<http://www.phoenixcontact.de>



© 2011 Phoenix Contact
Technical modifications reserved;