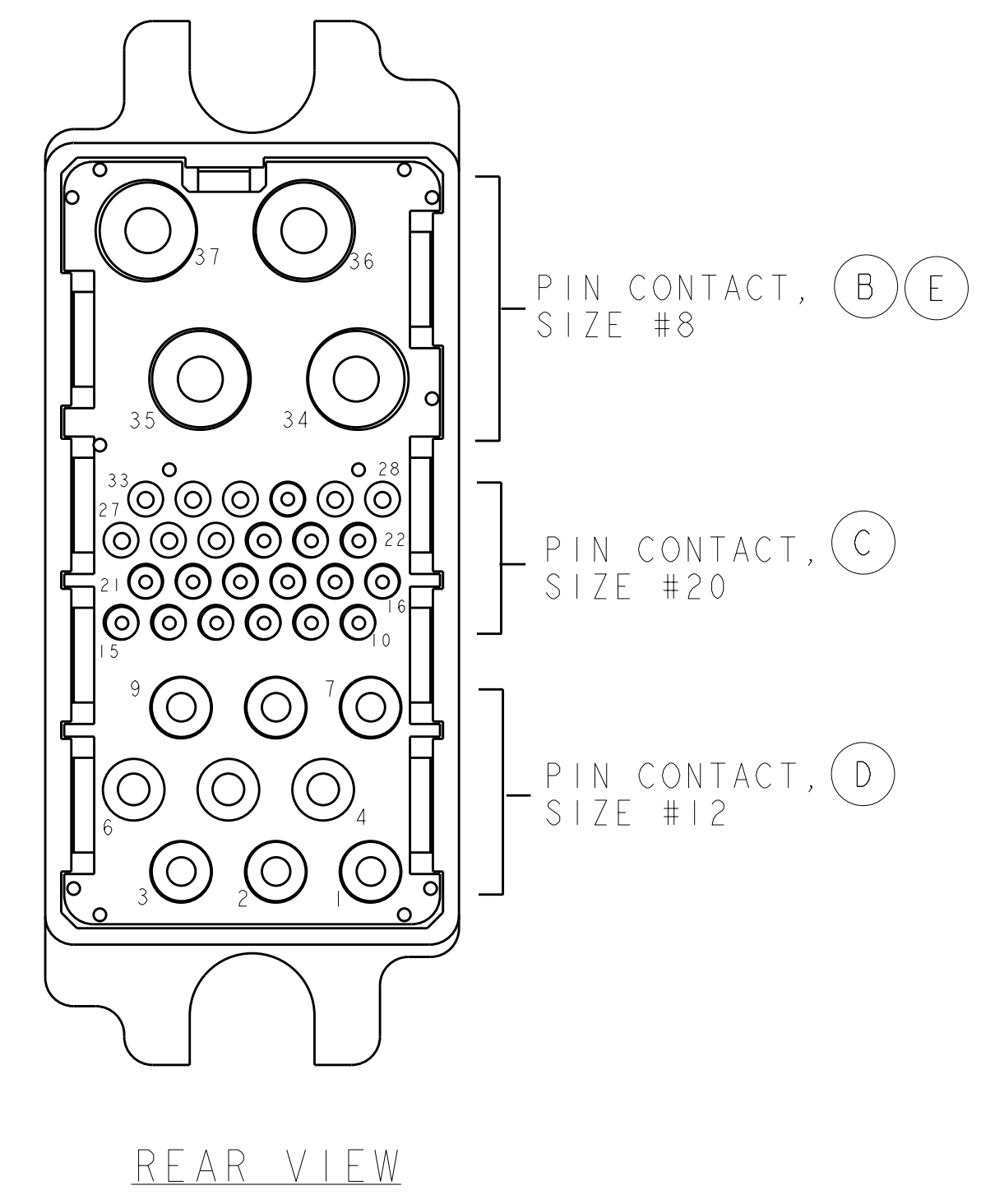
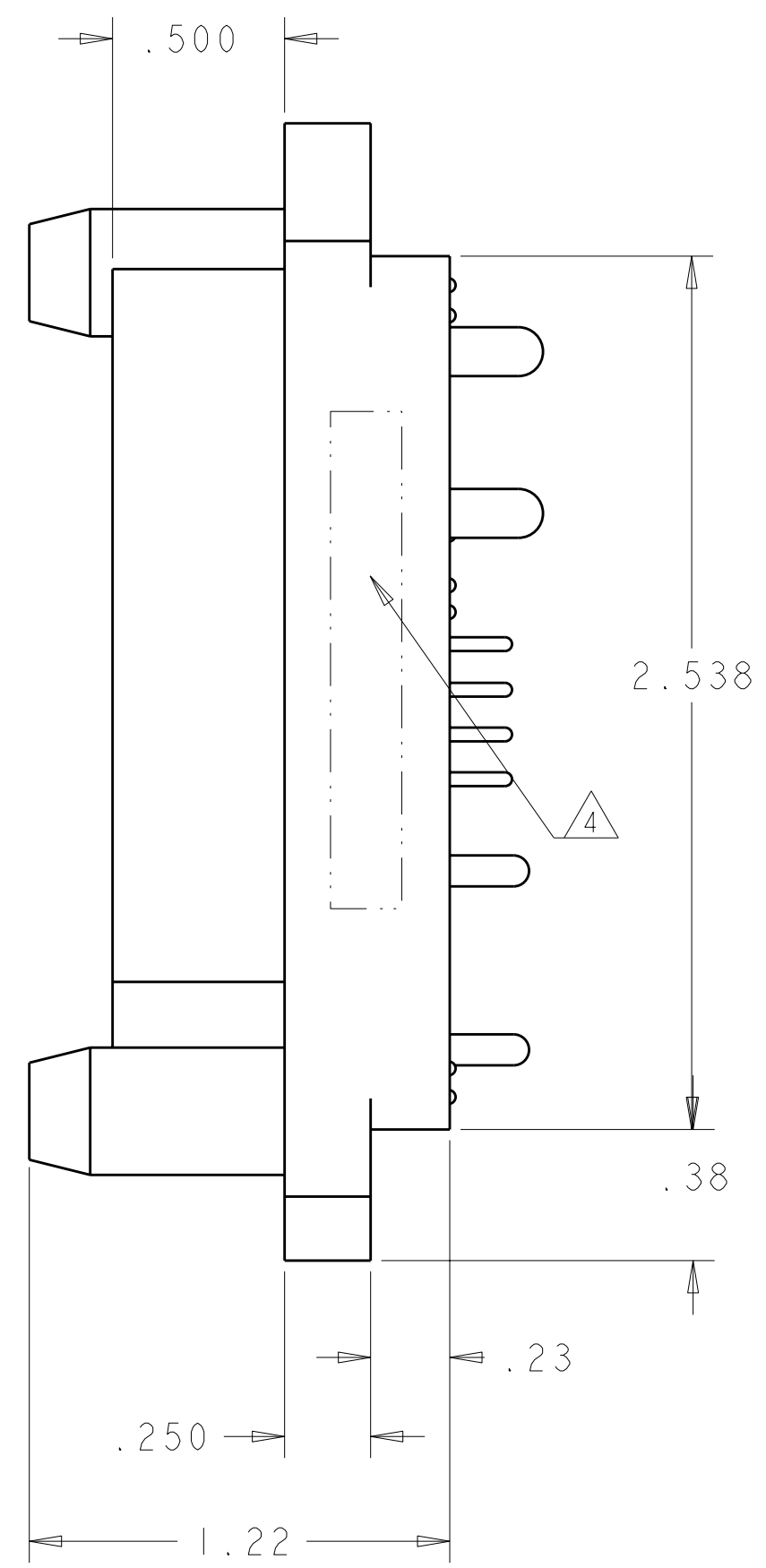
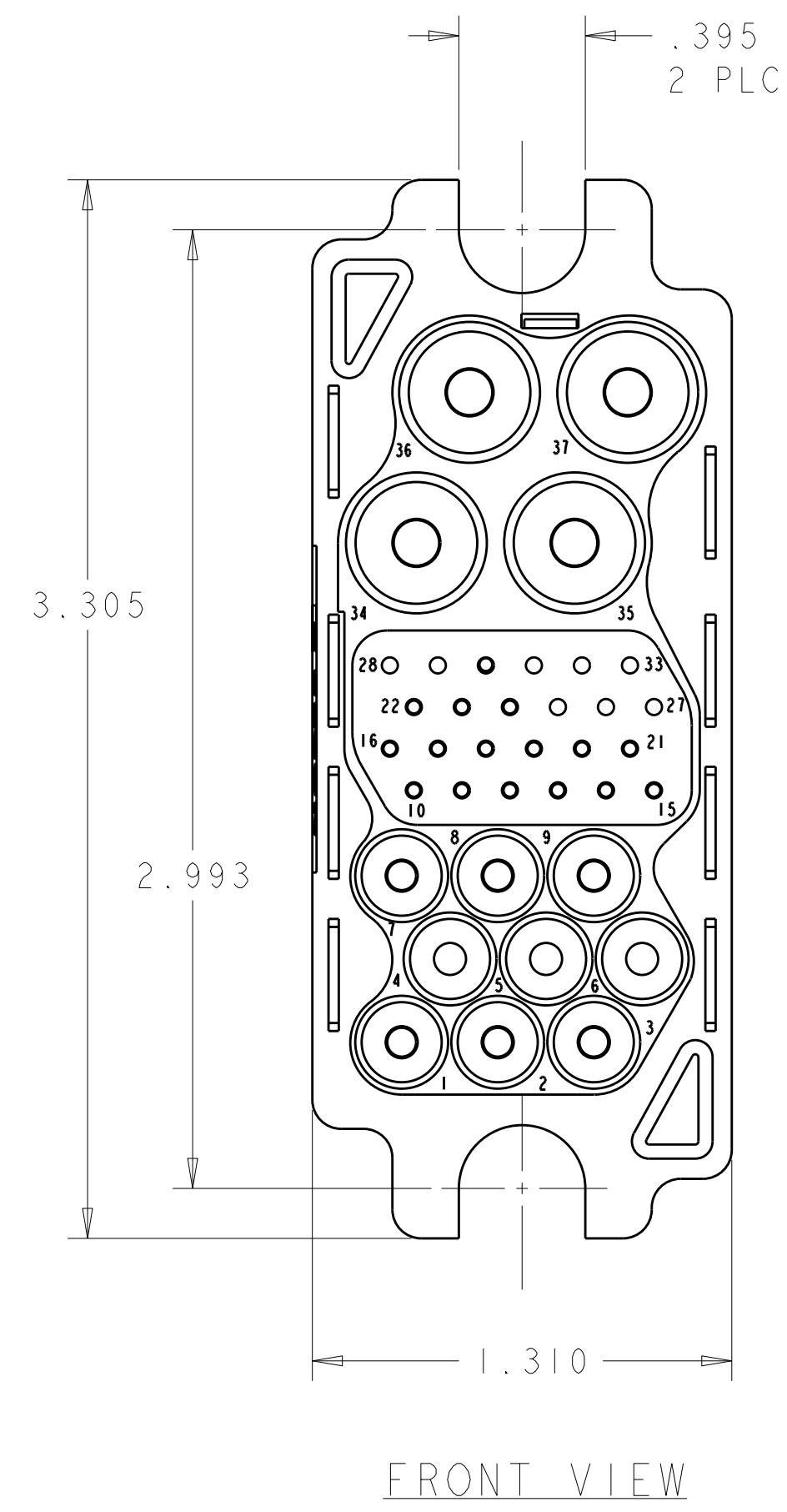


THIS DRAWING IS UNPUBLISHED. RELEASED FOR PUBLICATION 20
 © COPYRIGHT 20 BY TYCO ELECTRONICS CORPORATION. ALL RIGHTS RESERVED.

LOC		DIST		REVISIONS			
P	LTR	DESCRIPTION	DATE	DWN	APVD		
GP	00	A	RELEASED	06MAY2008	RG	DO	



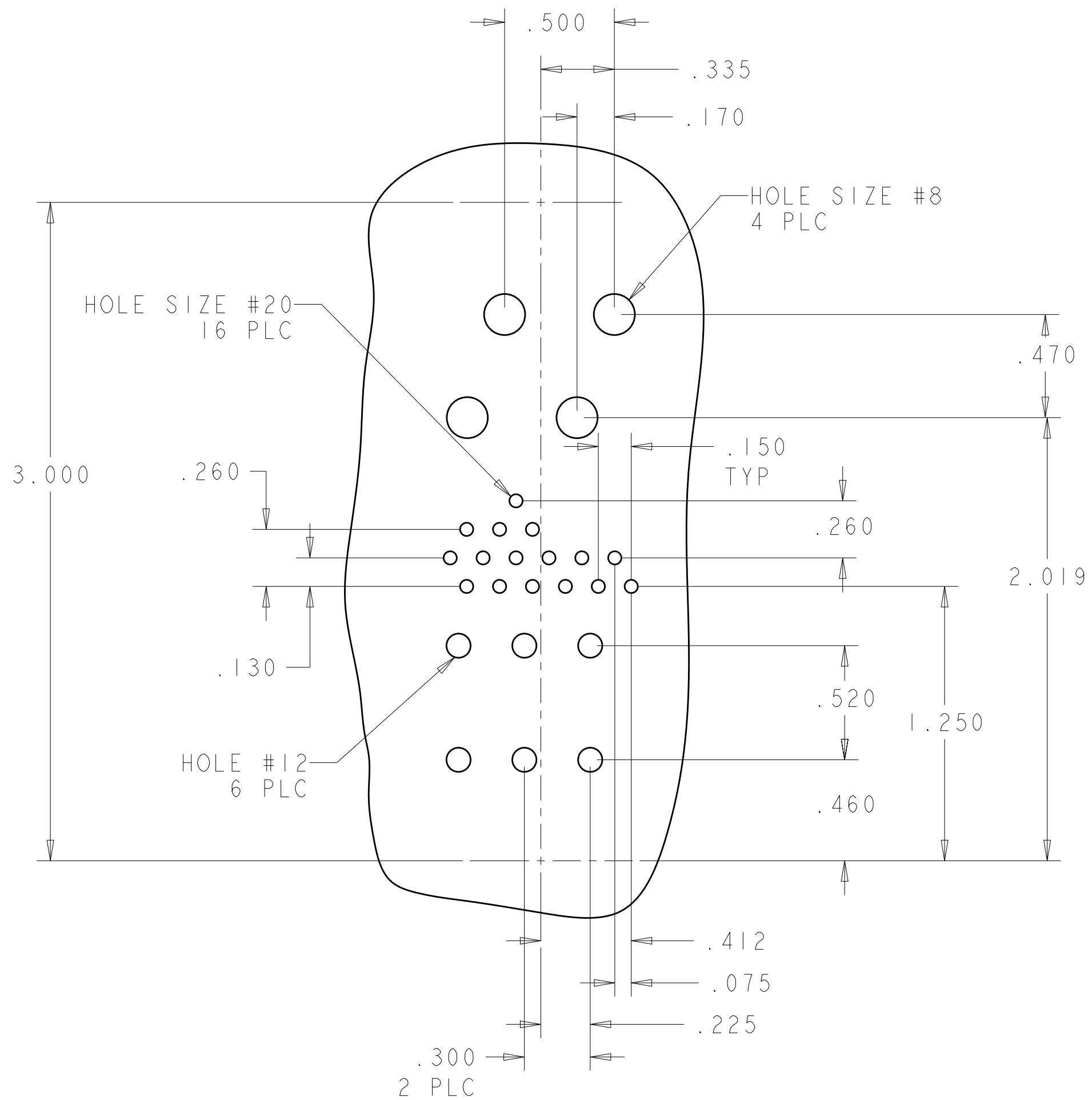
ELCON 75A MIDDLE DRAWER

AS SHOWN	1926839-1
DESCRIPTION	PART NUMBER

THIS DRAWING IS A CONTROLLED DOCUMENT FOR TYCO ELECTRONICS CORPORATION. IT IS SUBJECT TO CHANGE AND THE CONTROLLING ENGINEERING ORGANIZATION SHOULD BE CONTACTED FOR THE LATEST REVISION.		DWN R. GRZYBOWSKI 2MAY08	Tyco Electronics Harrisburg, PA 17105-3608	
DIMENSIONS: INCHES	TOLERANCES UNLESS OTHERWISE SPECIFIED:	CHK D. ORRIS 2MAY08	NAME CONNECTOR, PIN PCB TAIL 75 AMP MIDDLE DRAWER	
		APVD S. FLICKINGER 2MAY08	SIZE A2	CAGE CODE 00779
MATERIAL	FINISH	PRODUCT SPEC 108-2285	DRAWING NO 1926839	RESTRICTED TO -
		APPLICATION SPEC 114-13206	SCALE 4:1	SHEET 1 OF 2
CUSTOMER DRAWING		WEIGHT -	REV A	

THIS DRAWING IS UNPUBLISHED. RELEASED FOR PUBLICATION 20
 © COPYRIGHT 20 BY TYCO ELECTRONICS CORPORATION. ALL RIGHTS RESERVED.

LOC	DIST	REVISIONS					
GP	00	P	LTR	DESCRIPTION	DATE	DWN	APVD
		-		SEE SHEET 1			



PRINTED CIRCUIT BOARD LAYOUT
 VIEW FROM CONNECTOR MOUNTING SIDE

HOLE SIZE #8
 FINISHED HOLE: $\phi .152 \pm .003$
 DRILLED HOLE: $\phi .1540 \pm .0005$
 COPPER PLATE: .0010 MIN
 TIN PLATE: .0002 MIN THK.
 HOLE SIZE #12
 FINISHED HOLE: $\phi .104 \pm .003$
 DRILLED HOLE: $\phi .1065 \pm .0005$
 COPPER PLATE: .0010 MIN
 TIN PLATE: .0002 MIN THK.
 HOLE SIZE #20
 FINISHED HOLE: $\phi .047 \pm .003$
 DRILLED HOLE: $\phi .0453 \pm .0005$
 COPPER PLATE: .0010 MIN
 TIN PLATE: .0002 MIN THK.

1. PART NUMBER CHANGES AND OR DESIGN CHANGES AFFECTING THE INTERCHANGEABILITY REQUIRE PRIOR TYCO ELECTRONICS APPROVAL AND AUTHORIZATION BY REVISION TO THIS DRAWING.

2. MATERIAL:
 INSULATOR: THERMOPLASTIC, GLASS REINFORCED, UL 94V-0
 FLAMMABILITY RATED, COLOR: BLACK
 CONTACT: BRASS ROD ALLOY
 RETENTION CLIP: COPPER ALLOY

3. FINISH:
 CONTACTS SIZE #8 : .000200 MIN THK. SILVER OVER
 .000040 MIN NICKEL
 CONTACTS SIZE #12 : .000200 MIN THK. SILVER OVER
 .000040 MIN NICKEL
 CONTACTS SIZE #20 : .000030 MIN GOLD OVER
 .000040 MIN NICKEL

4. ITEMS PROVIDED TO THIS SPECIFICATION TO BE PERMANENTLY IDENTIFIED PER THE FOLLOWING IDENTIFIER:

YEAR WEEK

TYCO ELECTRONICS P/N DATE CODE (e.g. 0216)

XXXXXX-X XXXX

5. PCB TAIL CONTACTS (ITEMS B THRU E) ARE INSERTABLE/ NON-REMOVABLE LOCATED AS SHOWN:

SIZE No.8 PIN STD (ITEM B): 34 AND 37 POSN.
 SIZE No.8 PIN PREMATE (ITEM E): 35 AND 36 POSN.
 SIZE No. 12 PIN STD. (ITEM D): 1 THRU 3 POSN, 7 THRU 9
 SIZE No. 20 PIN STD. (ITEM C): 10 THRU 24 AND 30

5	2	1766263-1	CONTACT, PIN, SIZE #8, PCB TAIL, PREMATE	E
5	6	1766245-1	CONTACT, PIN, SIZE #12, PCB TAIL, STD	D
5	16	1650283-1	CONTACT, PIN, SIZE #20, PCB TAIL, STD	C
5	2	1766262-1	CONTACT, PIN, SIZE #8, PCB TAIL, STD	B
	1	1648163-2	HOUSING, PIN, FLUSH MOUNT	A
	-1	PART NUMBER	DESCRIPTION	ITEM

<small>THIS DRAWING IS A CONTROLLED DOCUMENT FOR TYCO ELECTRONICS CORPORATION IT IS SUBJECT TO CHANGE AND THE CONTROLLING ENGINEERING ORGANIZATION SHOULD BE CONTACTED FOR THE LATEST REVISION.</small>		DWN R.GRZYBOWSKI 2MAY08 CHK D.ORRIS 2MAY08 APVD S.FLICKINGER 2MAY08	Tyco Electronics Harrisburg, PA 17105-3608
DIMENSIONS: INCHES	TOLERANCES UNLESS OTHERWISE SPECIFIED: 0 PLC ± 1 PLC ±.02 2 PLC ±.010 3 PLC ±0.0000 4 PLC ANGLES ±.5	PRODUCT SPEC 108-2285 APPLICATION SPEC 114-13206	NAME CONNECTOR, PIN PCB TAIL 75 AMP MIDDLE DRAWER
MATERIAL	FINISH	WEIGHT	SIZE A200779 CAGE CODE C-1926839 DRAWING NO 1926839 RESTRICTED TO -
CUSTOMER DRAWING		SCALE 4:1	SHEET 2 OF 2 REV A

ELCON 75A MIDDLE DRAWER