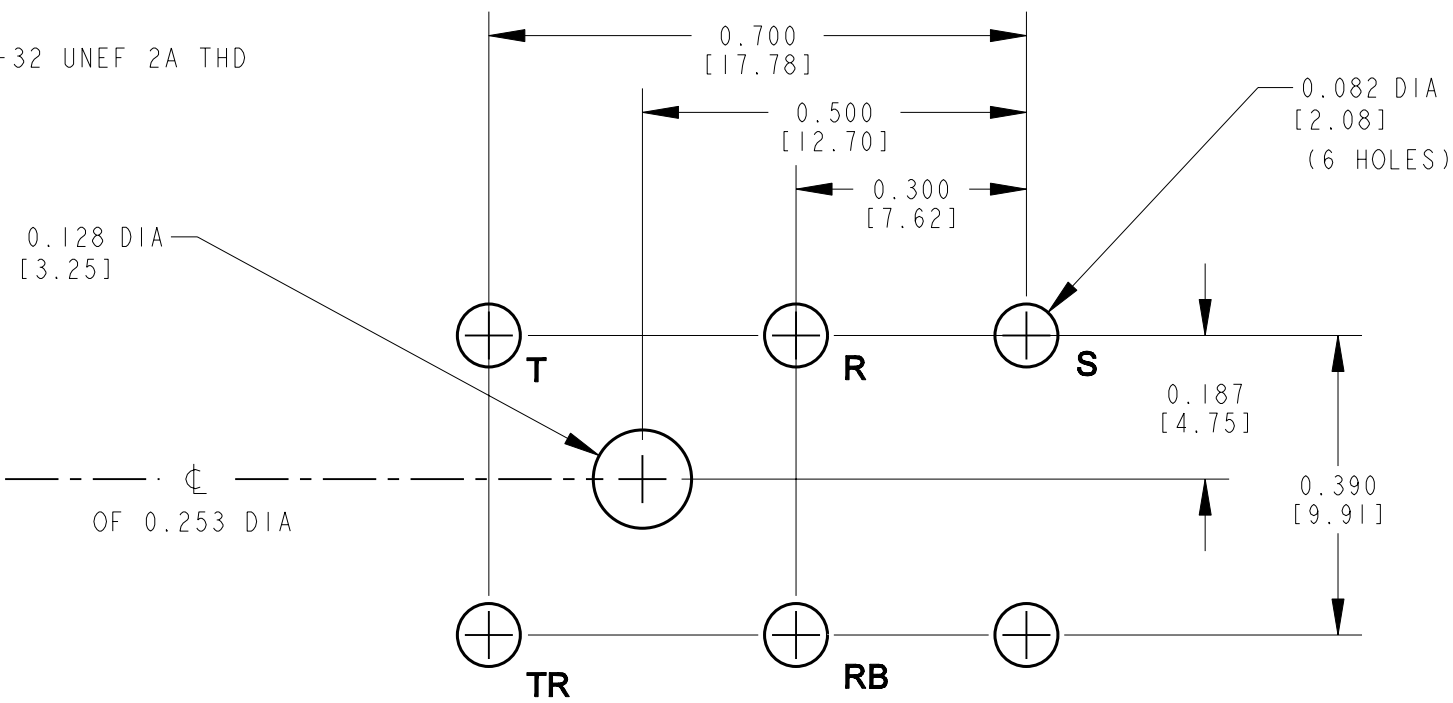
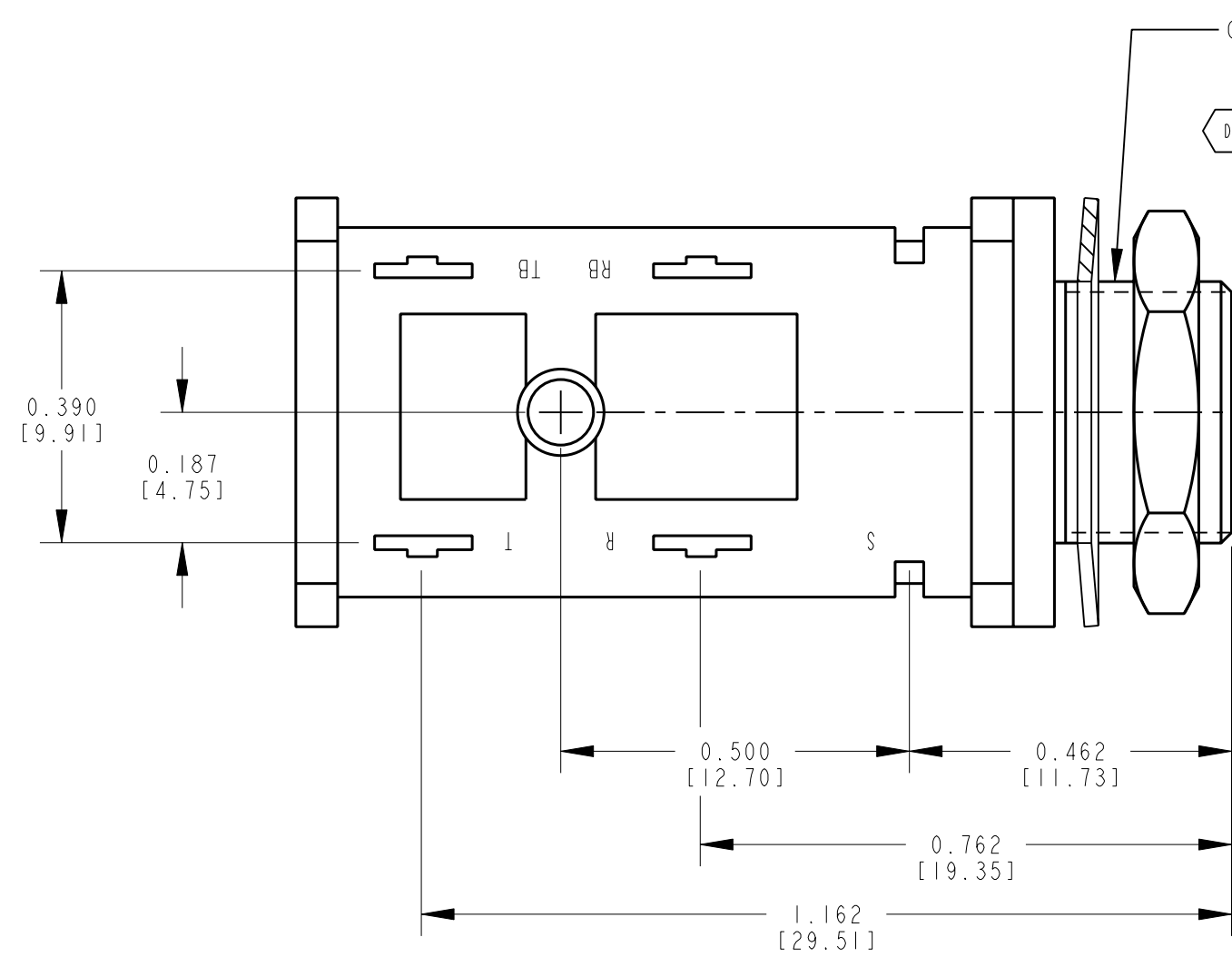


**MATERIAL SPECIFICATIONS**

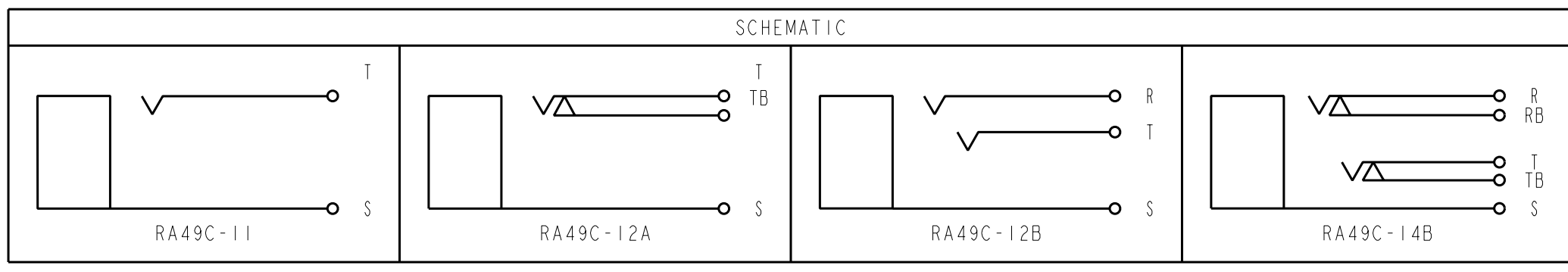
HOUSING: BLACK THERMOPLASTIC POLYESTER, 94V0  
 CONTACT SPRINGS: TIN PLATED SPRING TEMP. NICKEL SILVER.  
 HARDWARE: NICKEL PLATED BRASS.  
 METAL BUSHING: NICKEL PLATED BRASS  
 SLEEVE SPRING: TINNED PHOS. BRONZE.



PCB HOLE PATTERN  
 COMPONENT SIDE

CUSTOMER DRAWING

CAD/CAM DWG. NO.  
 s.ra49c\_cd  
 SHEET 1 OF 1



ECO #19930				8-17-95	DA	TAO	★ STAR SYMBOL DENOTES CRITICAL DIMENSION. SEE S/C ENGINEERING STANDARD ES-0001				THIS DRAWING DESCRIBES A DESIGN CONSIDERED PROPRIETARY IN NATURE, DEVELOPED AND MANUFACTURED BY SWITCHCRAFT INC. AND IS RELEASED ON A CONFIDENTIAL BASIS FOR IDENTIFICATION PURPOSE ONLY.					
ECO #19704				3-24-95	RC	GHJ	UNLESS OTHERWISE SPECIFIED				SIZE	WIDTH	MULT	LBS./M	TEMPER	
ECO #15763				2-16-90	LR	VL	1. ALL DIMENSIONS IN INCHES 2. DECIMAL DIMENSIONS ±.005 3. FRACTIONAL DIMENSIONS ±1/64 4. ANGLES ±1/2° 5. ALL DIA'S CONCENTRIC WITHIN .005 T.I.R. 6. REMOVE ALL BURRS 7. MAKE NO DIMENSIONAL ALLOWANCES FOR APPLIED FINISHES, I.E., PLATING, PAINTING, ETC. 8. HOLES ON THE SAME CENTERLINE MUST BE ALIGNED WITHIN ±.002				FINISH SPEC. NO.		SCALE 1 = 0.25		MATERIAL SPEC. NO.	
ECO 15105				10-12-89	TW	VL					DATE DRAWN	BY	CHK'D	APP'D	Switchcraft®	
RELEASED TO PROD				4-21-89	RLD	AS					4-15-88	RLD	VL	AS		
PRELIM CUST DWG				4-15-88	RLD						NAME JACK ASSEMBLY (METAL BUSHING)				PART NO. RA49C-SER F	
ISSUE				CHANGE NO.	DATE	BY	APP'D	REVISIONS				DO NOT SCALE DRAWING				

