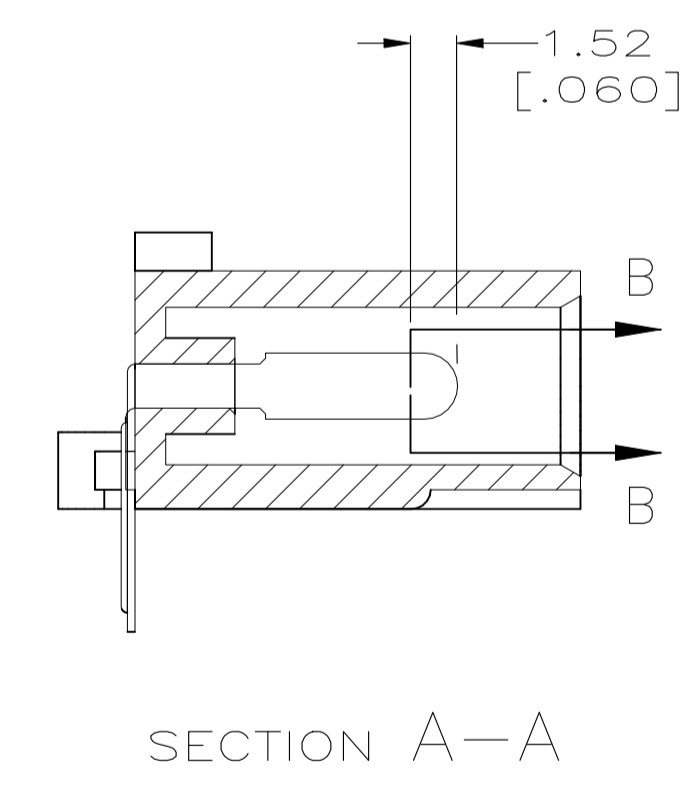
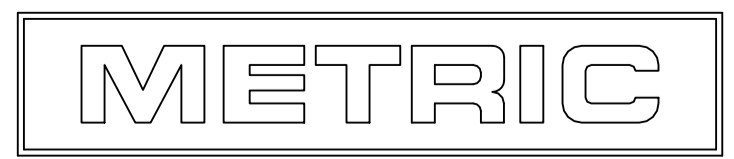
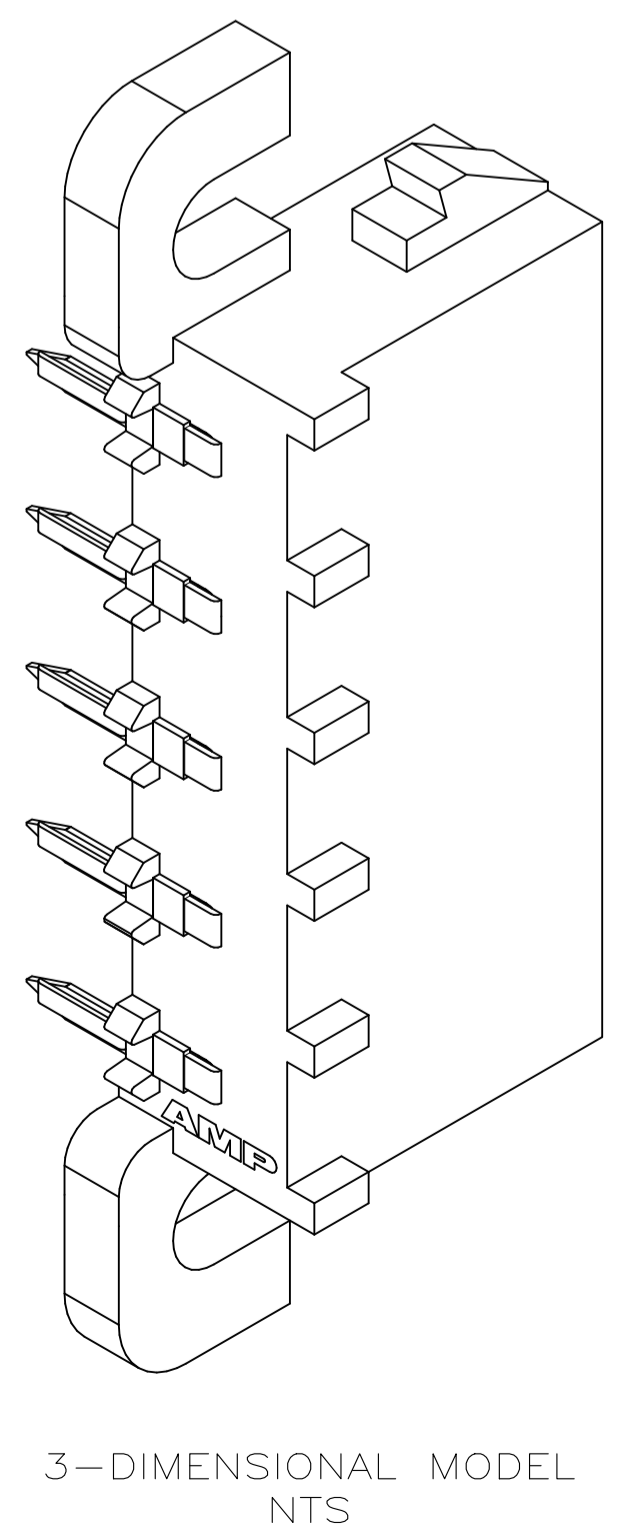
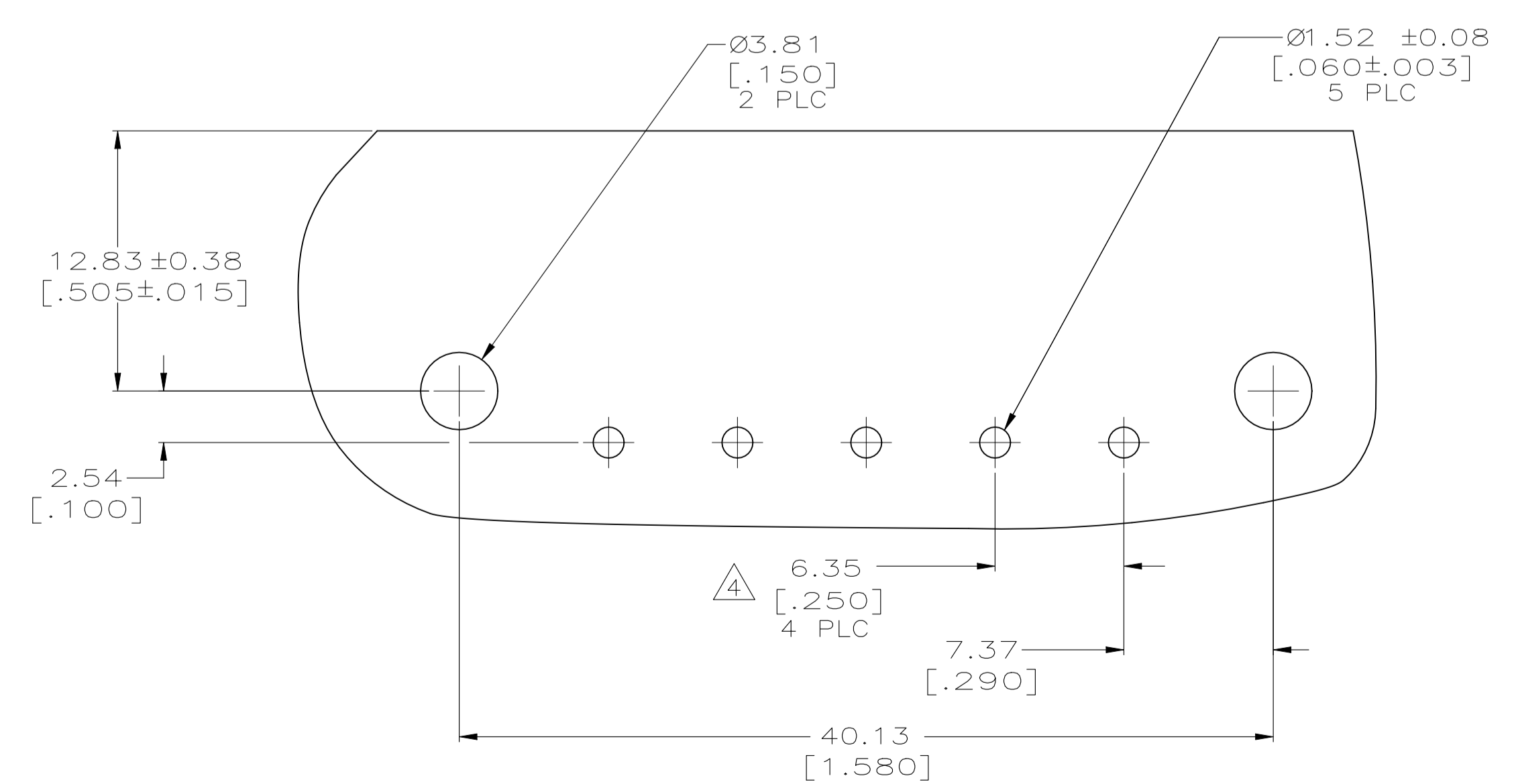
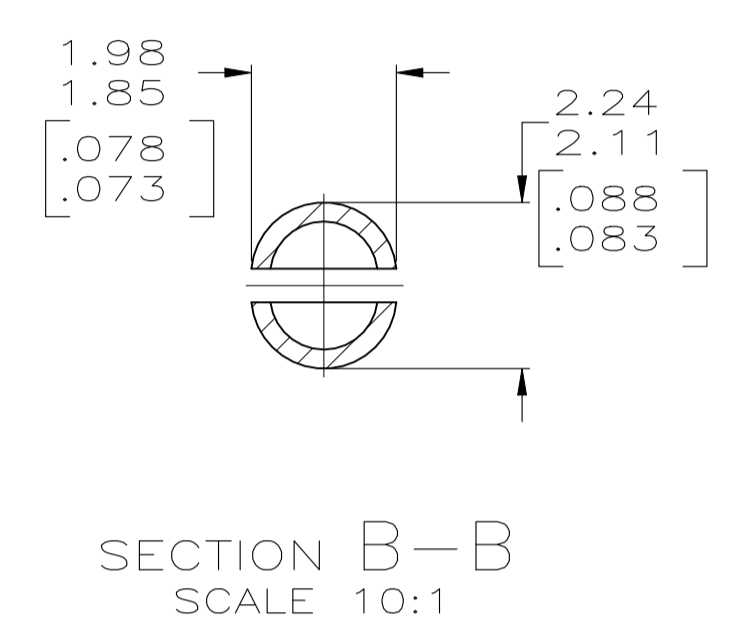
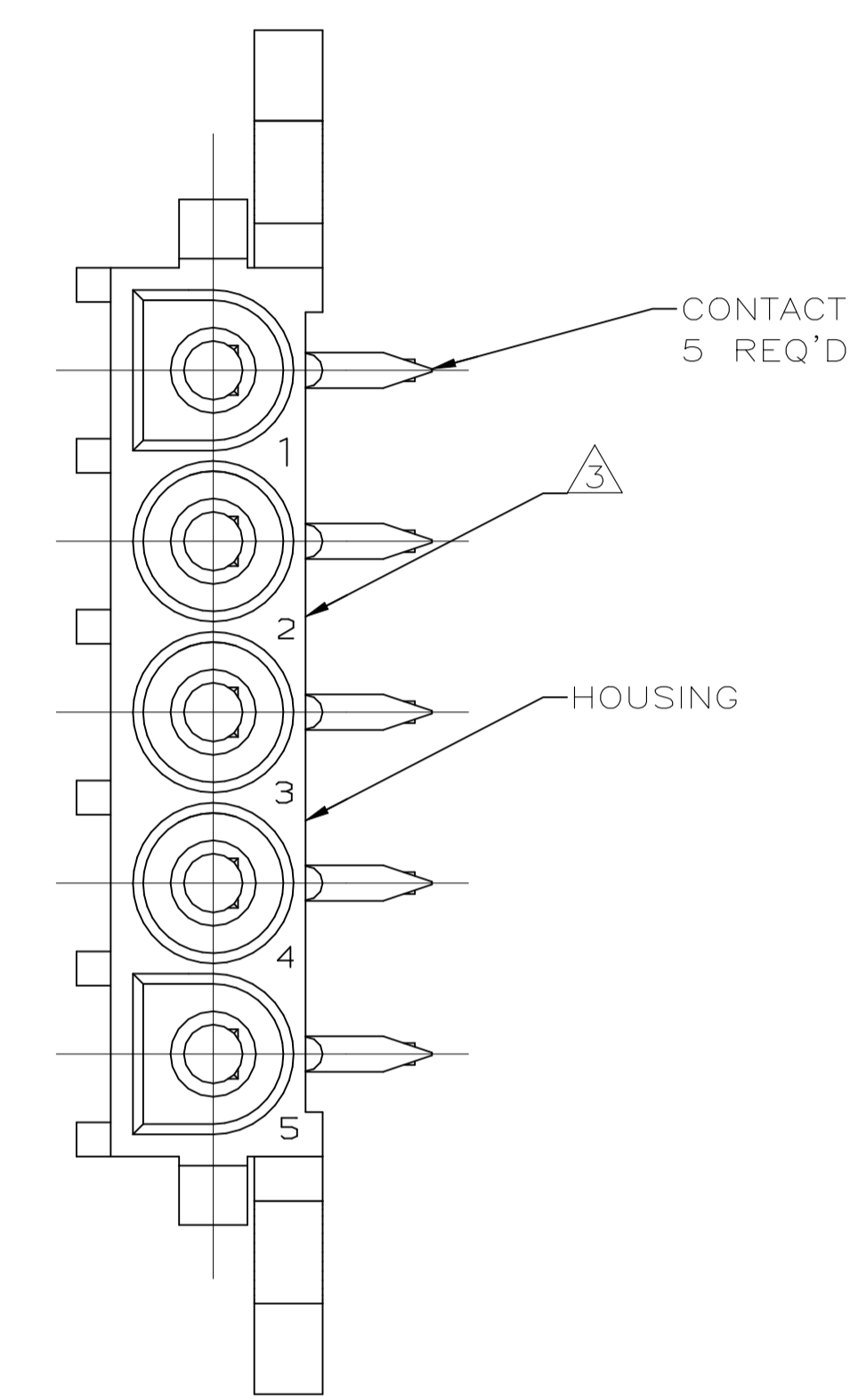
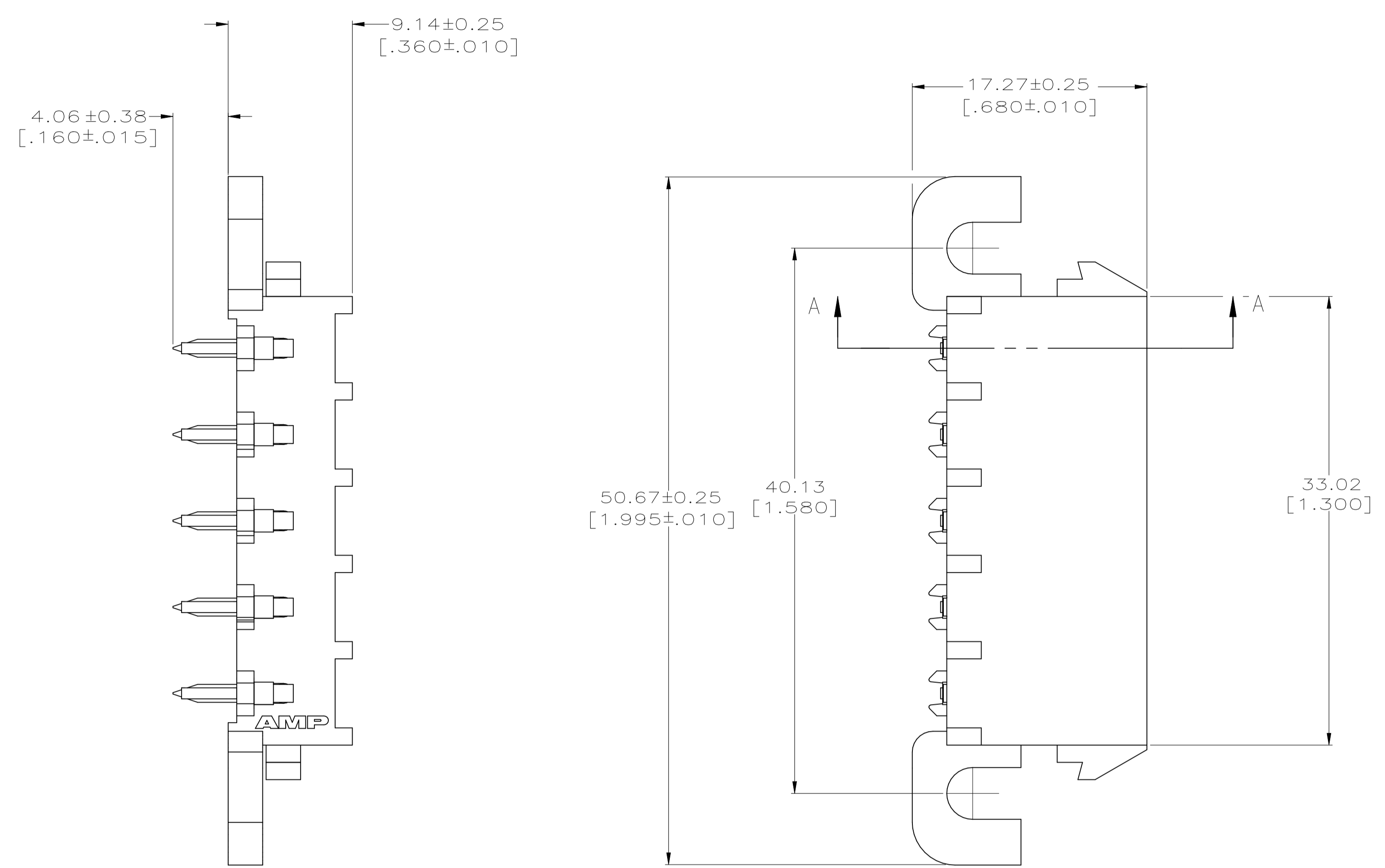


REVISIONS					
P	LTR	DESCRIPTION	DATE	DN	APVD
N2		REVISED PER ECR-21-118133	22OCT2021	SS	VS

- PARTS COMPLY WITH AMP SOLDERABILITY SPECIFICATION 109-11-5.
- DIMENSIONS IN BRACKETS ARE IN INCHES.
- CIRCUIT IDENTIFICATION CHARACTERS ARE ADJACENT TO THE INDICATED CAVITIES, BUT LOCATION AND ORIENTATION MAY DIFFER FROM PRINT
- TOLERANCE NON-CUMULATIVE.
- DIMENSIONS SHOWN REPRESENT PRODUCT IN DRY CONDITION. ADDITIONAL 2% GROWTH DUE TO END USE LOCATION MOISTURE ABSORPTION MAY OCCUR AND SHOULD BE ACCOUNTED FOR.



PHOS BRONZE, PRE-TIN	NYLON, UL94V-2	1-350949-0
CONTACT MATL / PLATING	HOUSING-MATERIAL	PART NO.

THIS DRAWING IS A CONTROLLED DOCUMENT.		DIN K SALMON 3-25-94	TE Connectivity	
DIMENSIONS: MM [ INCHES ]		CHK R SWING 3-25-94	NAME	
TOLERANCES UNLESS OTHERWISE SPECIFIED:		APVD D SELF 3-25-94	PRODUCT SPEC	
0 PLC ± -	1 PLC ± -	APPLICATION SPEC		
2 PLC ± -	3 PLC ± 0.13 [.005]	SIZE CAGE CODE DRAWING NO		
4 PLC ± -	ANGLES ± -	RESTRICTED TO		
MATERIAL SEE TABLE	FINISH SEE TABLE	WEIGHT 0.000000	A1 00779 C=350949	—
CUSTOMER DRAWING		SCALE 4:1	SHEET 1 of 1	REV N2