



3 dBi MultiBand Portable Antenna 615-2,690 MHz N Type Connector

Antennas Technical Data Sheet

PE51OM1030

Features

- Type N Male Connector
- White Omni for Indoor or Outdoor
- IP67 Weatherproof for all Environments
- 0 to 3 dBi Gain

Applications

- 4G & 5G Networks, Public or Private
- 600, 700, 850, 900, 1800, 1900, 2100, 2600 MHz
- IoT, Cellular, Zigbee, Z-Wave, Bluetooth

Description

The Pasternack 5G PE51OM1030 Omnidirectional White Antenna is available to ship the same day. This 5G antenna is a high performance, lightweight and compact antenna. This omnidirectional antenna is designed for the 600 MHz to 2700 MHz bands. Pasternack's PE51OM1030 is a coaxial sleeve design with an omni-directional pattern. It is ideally suited for 4G, 5G, LTE and other sub 6 GHz Cellular bands in both private and public networks. It features a brass Type N male connector. The N male connector allows it to be mounted to a radio or terminal without the need for a coax jumper.

The 5G high performance omnidirectional PE51OM1030 from Pasternack is a flexible antenna providing 0 to 3.5 dBi gain and broad coverage. It is suitable for 600, 700, 800, 850, 900, 1800, 1900, 2100, 2300 and 2600 MHz bands and any network using sub 6 GHz 5G bands. The PE51OM1030 is painted white to blend in with open sky and other light colored backgrounds.

This 5G N male Cellular antenna just like the other RF components from Pasternack is in stock and ships the same day. Contact our knowledgeable and friendly technical support and sales staff for your answers on any Pasternack products.

Configuration

| | |
|-------------------|------------------|
| Design | Portable |
| Band Type | Multi |
| Radiation Pattern | Omni Directional |
| Wavelength | 1/4 |
| Polarization | Vertical |
| Connector Type | N Male |

Electrical Specifications

| Description | Minimum | Typical | Maximum | Units |
|-----------------|---------|---------|---------|-------|
| Frequency Range | 615 | | 2.69 | MHz |
| Input VSWR | | | 3:1 | |
| Impedance | | 50 | | Ohms |
| Gain | 2 | 3 | | dBi |

Specifications by Band

| Description | Band 1 | Band 2 | Band 3 | Band 4 | Band 5 | Units |
|-------------|---------|-------------|--------|--------|--------|-------|
| Range | 615-960 | 1,710-2,690 | | | | MHz |
| Gain | 2 | 3 | | | | dBi |

Click the following link (or enter part number in "SEARCH" on website) to obtain additional part information including price, inventory and certifications: [3 dBi MultiBand Portable Antenna 615-2,690 MHz N Type Connector PE51OM1030](#)



3 dBi MultiBand Portable Antenna 615-2,690 MHz N Type Connector

Antennas Technical Data Sheet

PE51OM1030

Mechanical Specifications

| | |
|-----------------|---------------------|
| Radome Material | ABS |
| Height | 7.36 in [186.94 mm] |

Connectors

| Description | Connector 1 | Connector 2 | Connector 3 |
|---------------------------|-------------|-------------|-------------|
| Body Material and Plating | Brass | | |

Environmental Specifications

Temperature

| | |
|-----------------|------------------|
| Operating Range | -20 to +65 deg C |
| Storage Range | -20 to +65 deg C |

| | |
|-------------|------|
| Environment | IP67 |
|-------------|------|

Compliance Certifications (see [product page](#) for current document)

Plotted and Other Data

Notes:

3 dBi MultiBand Portable Antenna 615-2,690 MHz N Type Connector from Pasternack Enterprises has same day shipment for domestic and International orders. Our RF, microwave and millimeter wave products maintain a 99.4% availability and are part of the broadest selection in the industry.

Click the following link (or enter part number in "SEARCH" on website) to obtain additional part information including price, inventory and certifications: [3 dBi MultiBand Portable Antenna 615-2,690 MHz N Type Connector PE51OM1030](#)

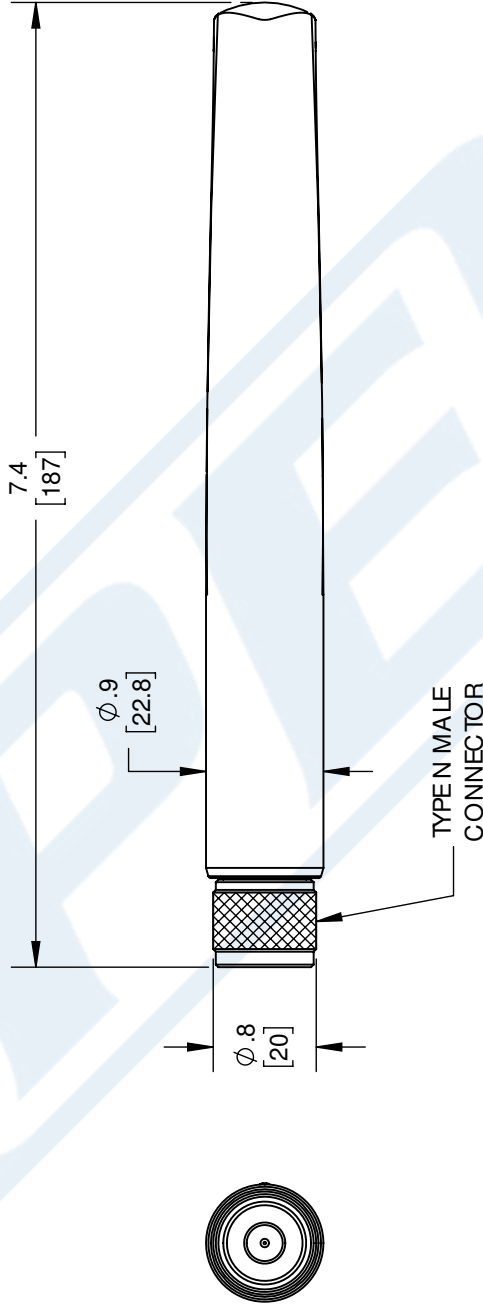
URL: <https://www.pasternack.com/multi-antenna-615-mhz-2.69-ghz-3-dbi-gain-n-pe51om1030-p.aspx>

The information contained in this document is accurate to the best of our knowledge and representative of the part described herein. It may be necessary to make modifications to the part and/or the documentation of the part, in order to implement improvements. Pasternack reserves the right to make such changes as required. Unless otherwise stated, all specifications are nominal. Pasternack does not make any representation or warranty regarding the suitability of the part described herein for any particular purpose, and Pasternack does not assume any liability arising out of the use of any part or documentation.

PE51OM1030 CAD Drawing

3 dBi MultiBand Portable Antenna 615-2,690 MHz N Type Connector

| REVISIONS | | |
|-----------|-----------------|------------|
| REV. | DESCRIPTION | DATE |
| A | INITIAL RELEASE | 10/08/2020 |
| | | APPROVED |
| | | KHIETPAS |



| | | |
|--|---|---|
| <p>UNLESS OTHERWISE SPECIFIED LEADING DIMENSIONS ARE INCHES DIMENSIONS IN [] ARE MILLIMETERS</p> <p>TOLEANCES:</p> <p>.X = ±.2 [5.08] FRACTIONS ± 1/32</p> <p>.XX = ±.02 [.51] ANGLES ± 1°</p> <p>.XXX = ±.005 [.13]</p> <p>CABLE LENGTH (L), TOLERANCES:</p> <p>L ≤ 12 [305] = +1 [25] / -0</p> <p>12 [305] < L ≤ 60 [1524] = +2 [51] / -0</p> <p>60 [1524] < L ≤ 120 [3048] = +4 [102] / -0</p> <p>120 [3048] < L ≤ 300 [7620] = +6 [152] / -0</p> <p>300 [7620] < L = +5% / -0</p> <p>ALL DIMENSIONS SHOWN ARE FOR REFERENCE ONLY.</p> | <p>PE PASTERNAK an INFINITI brand</p> <p>Pasternack Enterprises, Inc. P. O. Box 16759, Irvine, CA 92623. Phone: 1.949.261.1920 1.866.727.8376 Fax: 1.949.261.7451 Website: www.pasternack.com E-mail: sales@pasternack.com</p> | <p>THIRD-ANGLE PROJECTION</p> <p>THE INFORMATION AND DESIGN IN THIS DOCUMENT IS THE PROPERTY OF PASTERNAK CORPORATION ALL RIGHTS RESERVED.</p> <p>SHEET 1 OF 1</p> <p>SCALE N/A</p> |
| | <p>SIZE A</p> <p>CAGE CODE 53919</p> <p>DRAWN BY BPUCHASKI</p> <p>ITEM NO. PE51OM1030</p> | <p>REV A</p> |

THESE COMMODITIES, TECHNOLOGY OR SOFTWARE WERE EXPORTED FROM THE UNITED STATES IN ACCORDANCE WITH THE EXPORT ADMINISTRATION REGULATIONS. DIVERSION CONTRARY TO U.S. LAW PROHIBITED.