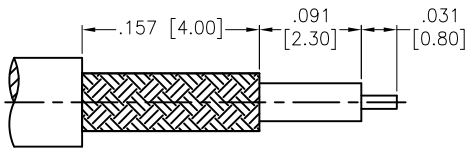
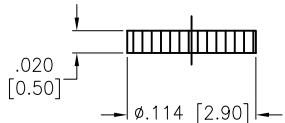
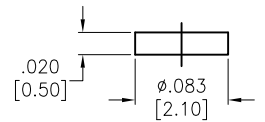
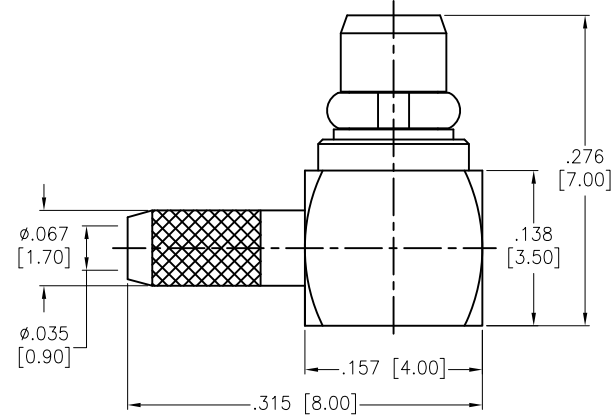


APPROVED: _____
 DATE: _____ TITLE: _____

Rev	AWO #	Description	Date	Appr
-		RELEASED	9/2/15	



RECOMMENDED
CABLE STRIPPING DIM'S



FERRULE	BRASS	GOLD
COVER	BRASS	GOLD
INSULATOR	POM	NATURAL
CONTACT PIN	BRASS	GOLD
RING	BERYLLIUM COPPER	GOLD
BODY	BRASS	GOLD
INSULATOR	PTFE	WHITE
BARREL	BRASS	GOLD
DESCRIPTION	MATERIAL	FINISH

SPECIFICATIONS:
Electrical:
 Frequency Range: DC-6 GHz
 Normal Impedance: 50 ohm
 Operating voltage: 170 VOLTS max.
 Proof voltage: 500 VOLTS
 VSWR: 1.3 max. @ 3 GHz
Temperature Rating:
 Operating temperature: -55°C to +155°C
 Environmental:
 Lead free, RoHS compliant.



UNLESS OTHERWISE SPECIFIED
 ALL DIMENSIONS ARE INCHES [MM]
 TOLERANCES: EXCEPT AS NOTED

INCHES		HOLES	
.X	± .10	∅.X	± .10
.XX	± .020	∅.XX	± .015
.XXX	± .015	∅.XXX	± .010

APPROVALS		DATE
DRAWN	HR	9/2/15
CHECKED	AC	9/2/15
APPROVED		

ADAM TECH
 909 Rahway Avenue, Union, NJ 07083
 Phone: 908-687-5000 Fax: 908-687-5710

TITLE: RF CONNECTOR, TYPE MMCX,
 RIGHT ANGLE, 50 OHM, 178U

SIZE	PART NO.	REV.
X	RF12-08A-T-21-50-G	-

REF: S00277T SCALE: NTS SHEET 1 OF 1

6 5 4 3 2 1

6 5 4 3 2 1