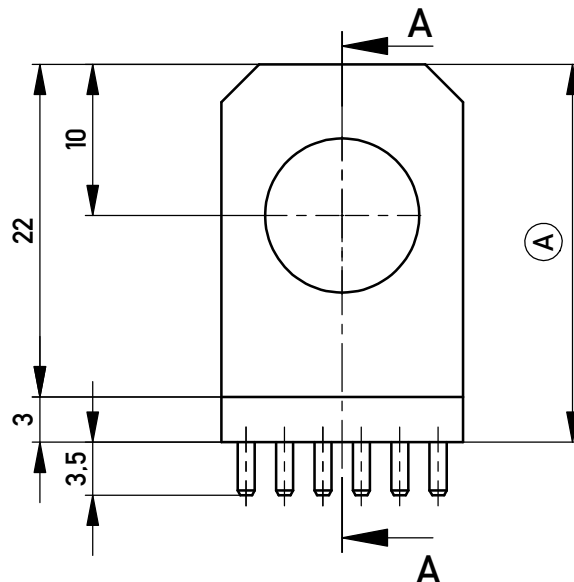
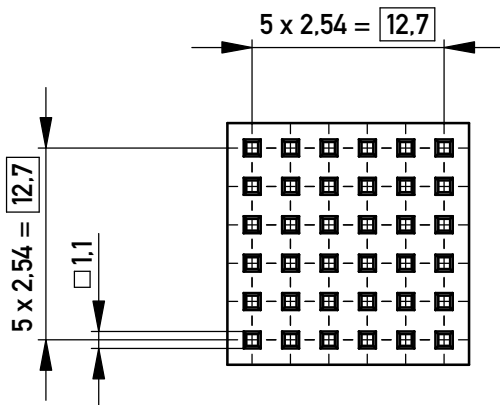
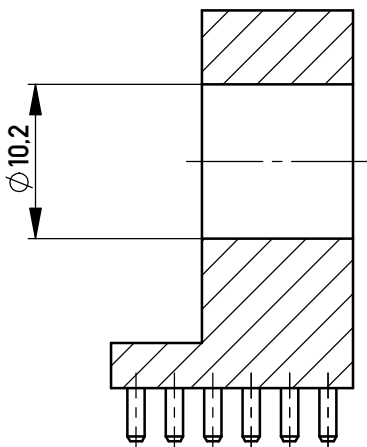
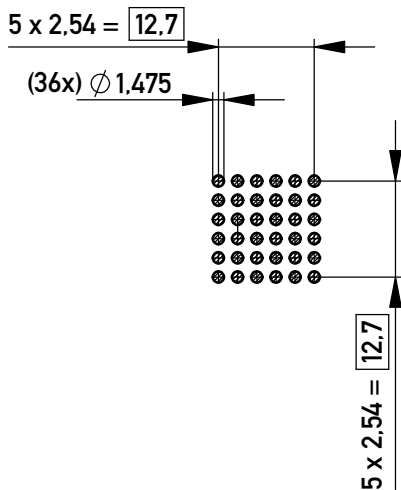


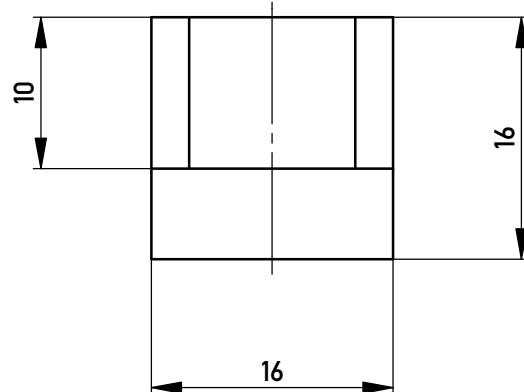
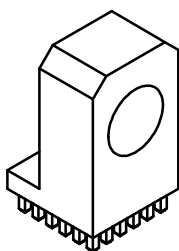
Schnitt A-A
cross section A-A



Layout - Vorschlag
PCB - Layout proposal
M 1:1
scale 1:1



M 1:1
scale 1:1



2-6µm Sn matt über 2-4µm Cu
2-6µm sn matt over 2-4µm cu

Ⓐ Oberfläche / plating

| | | | | |
|--------------|---|-----------------------------|--|--|
| Information: | Tolerances | All Dimensions in mm | Scale | 2:1 |
| | All rights reserved. Only for Information. To ensure that this is the latest version of this drawing, please contact one of the ERNI companies before using. | | Subject to modification without prior notice. Drawing will not be updated. | Material: |
| www.ERNI.com | | Designation | | PowerElement angled <i>full population d 10,2</i> |
| | b Index | 19.02.2018 Date | 225710 | |
| | | | Class | POWELM |

Copyright by ERNI Production GmbH & Co. KG
 Proprietary notice pursuant to ISO 16016 to be observed.