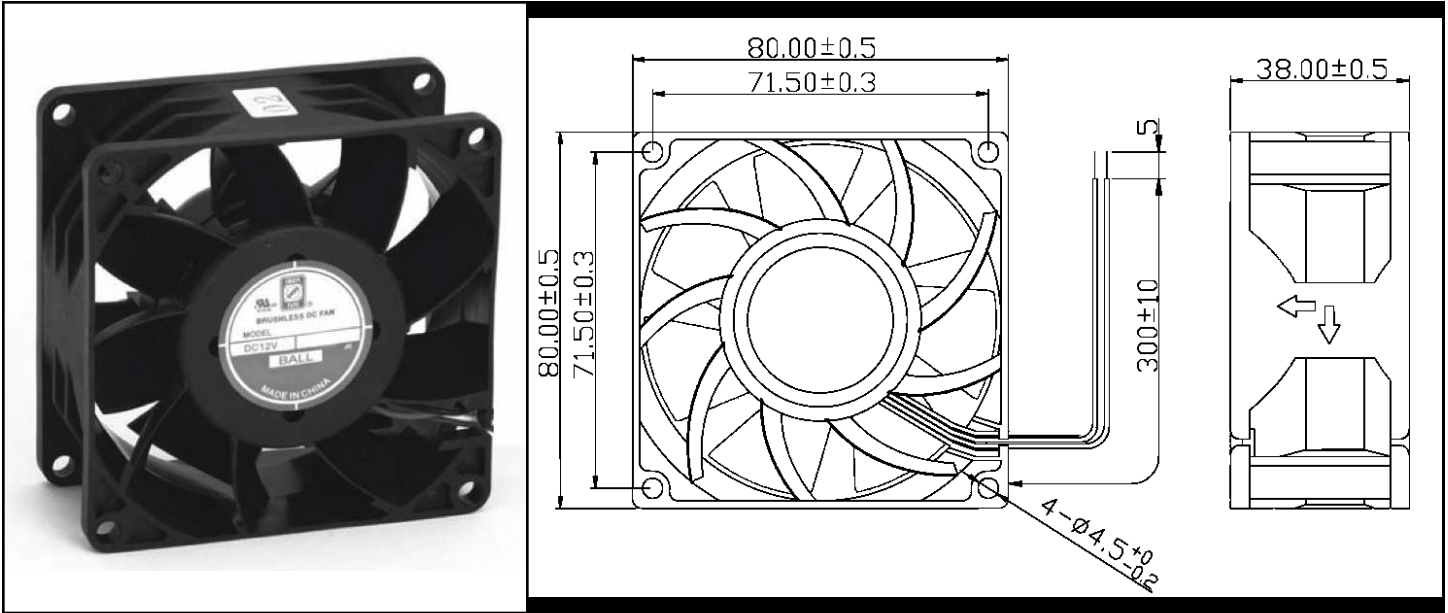


# OD8038 'VA' Series



DC Fan - Vaneaxial  
80x38mm (3.15"x 1.5")



Frame & Impeller	PBT, UL94V-O plastic	Date: 102215	<p>Options</p> <p>Tachometer Open Collector PWM Input **</p> <p>* Connection</p> <ol style="list-style-type: none"> <li>1. Black(GND)</li> <li>2. Red (Vcc)</li> <li>3. White (Tach)</li> <li>4. Blue (PWM)</li> </ol>	
Connection	4x Lead wires *			
Motor	Brushless DC, auto restart, polarity protected.			
Bearing System	Dual ball bearing			
Insulation Resistance	Min. 10M at 500VDC			
Dielectric Strength	1 minute at 500VAC / 1 second, max leakage 500 microamp			
Temperature Range	-10C ~ +70C			
Storage Temperature	-40C ~ +80C			
Life (L10)	50,000 hours (40C)			

Model Number	OD8038-48HBVXC10a	<p>(External signal: function design is decided by customer)</p> <p>*TRANSISTOR Q1 AT "ON" POSITION COLLECTOR CURRENT.....<math>I_c = 100mA</math> MAX SATURATION VOLTAGE.....<math>V_{ce} = 1V</math> MAX</p> <p>*TRANSISTOR Q1 AT "OFF" POSITION RELEASE VOLTAGE.....<math>V_{ce} = 3V</math> MAX</p> <p>*DIGITAL PWM SPEED CONTROL POSITION PWM INPUT VOLTAGE HIGH.....<math>V_i = 3V \sim 5.5V</math> PWM INPUT VOLTAGE LOW.....<math>V_i = 0V \sim 0.5V</math></p> <p>*PWM INPUT FREQUENCY.....<math>f_{PWM} = 18KHz \sim 30KHz</math></p>
Part Number	188441261	
Nominal Voltage	48 VDC	
Nominal Current	.15 A	
Rated Power	10.6 W	
Rated Speed (RPM)	6300	
Airflow (CFM)	99	
Noise Level (dB)	57	
Max. Static Pressure	0.81 "H <sub>2</sub> O	