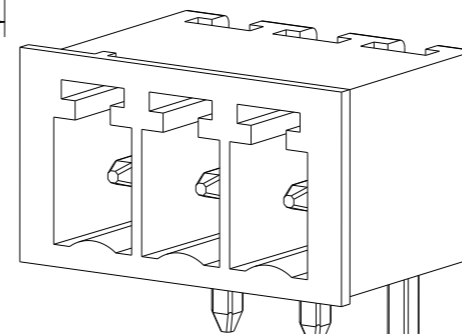
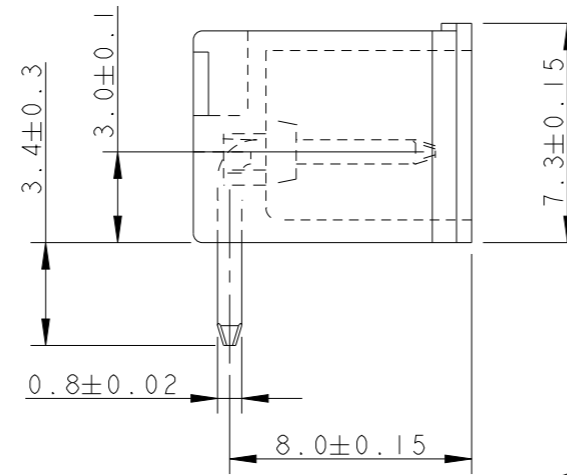
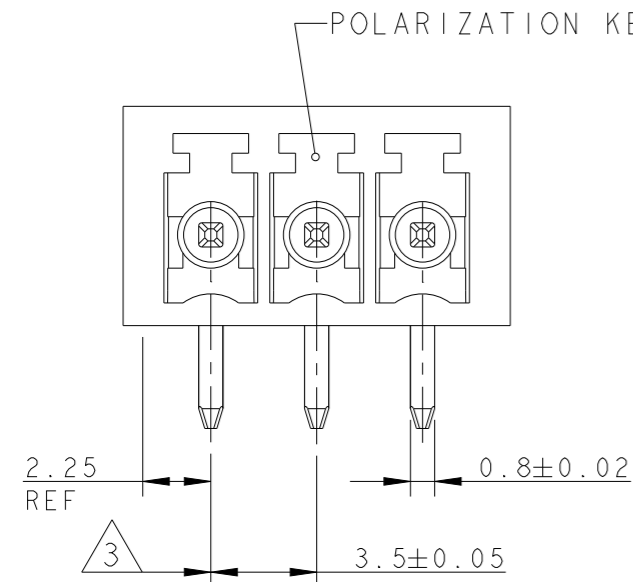
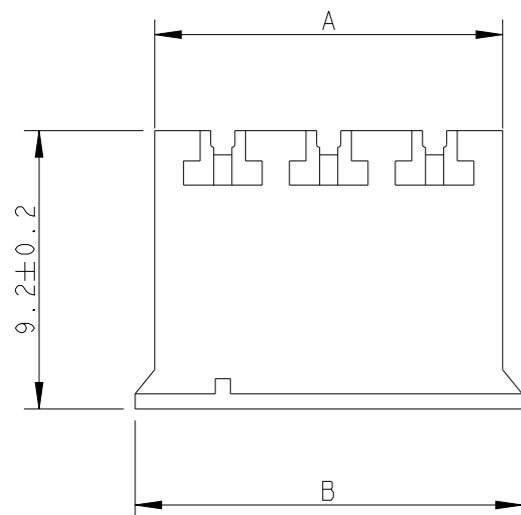


P	LTR	DESCRIPTION	DATE	DWN	APVD
	E5	REVISED PER ECO-20-006341	16JUL2021	GMN	PS



284512-3 AS SHOWN

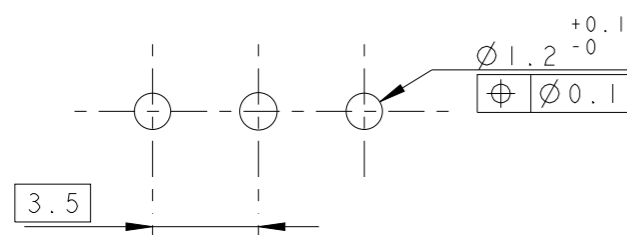


1 MATERIALS AND FINISH  
 HOUSING : PA 6.6, UL 94-V0, COLOR GREEN  
 TERMINAL : PHOSPHOR BRONZE, PLATING: SEE TABLE.

2. SUITABLE FOR 1.6-2.4 mm. PC BOARD THICKNESS

- 3 NOT CUMULATIVE TOLERANCE
- 4 PRELIMINARY - NOT FOR PRODUCTION.
- 5 SPECIAL CODING LOCATED AT POSITION 2.  
PART TO BE MATED WITH 2-284506-9.
- 6 SPECIAL CODING LOCATED AT POSITION 1 AND 2.  
PART TO BE MATED WITH 3-284506-0.

TERMINAL PLATING	B	A	NO OF POSN	PART NUMBER	
4 6	TIN	12.8	11.5	3	<del>3-284512-9</del>
4 5	TIN	12.8	11.5	3	<del>3-284512-8</del>
4	GOLD FLASH	26.8	25.5	7	<del>3-284512-6</del>
	0.2 MICRON GOLD	44.3	43.0	12	3-284512-5
	TIN	16.3	15.0	4	3-284512-4
	TIN	12.8	11.5	3	3-284512-3
	TIN	89.8	88.5	25	2-284512-5
	TIN	86.3	85.0	24	2-284512-4
	TIN	82.8	81.5	23	2-284512-3
	TIN	79.3	78.0	22	2-284512-2
	TIN	75.8	74.5	21	2-284512-1
	TIN	72.3	71.0	20	2-284512-0
	TIN	68.8	67.5	19	1-284512-9
	TIN	65.3	64.0	18	1-284512-8
	TIN	61.8	60.5	17	1-284512-7
	TIN	58.3	57.0	16	1-284512-6
	TIN	54.8	53.5	15	1-284512-5
	TIN	51.3	50.0	14	1-284512-4
	TIN	47.8	46.5	13	1-284512-3
	TIN	44.3	43.0	12	1-284512-2
	TIN	40.8	39.5	11	1-284512-1
	TIN	37.3	36.0	10	1-284512-0
	TIN	33.8	32.5	9	284512-9
	TIN	30.3	29.0	8	284512-8
	TIN	26.8	25.5	7	284512-7
	TIN	23.3	22.0	6	284512-6
	TIN	19.8	18.5	5	284512-5
	TIN	16.3	15.0	4	284512-4
	TIN	12.8	11.5	3	284512-3
	TIN	9.3	8.0	2	284512-2



RECOMMENDED PC BOARD LAYOUT

THIS DRAWING IS A CONTROLLED DOCUMENT.

DIMENSIONS: mm	TOLERANCES UNLESS OTHERWISE SPECIFIED: 0 PLC ±. 1 PLC ±.3 2 PLC ±.25 3 PLC ±. 4 PLC ±. ANGLES ±2	DWN E. ZANOLINI 06FEB2002 CHK E. ZANOLINI 06FEB2002 APVD D. BIEVENOUR 06FEB2002 PRODUCT SPEC 108-20166 APPLICATION SPEC 114-20079 WEIGHT -	NAME TERMINAL BLOCK, HEADER ASSEMBLY 90 DEGREE, CLOSED ENDS 3.5mm PITCH
MATERIAL	FINISH	CUSTOMER DRAWING	SIZE A3 CAGE CODE 00779 DRAWING NO C-284512 RESTRICTED TO

SCALE 4:1 SHEET 1 OF 1 REV E5