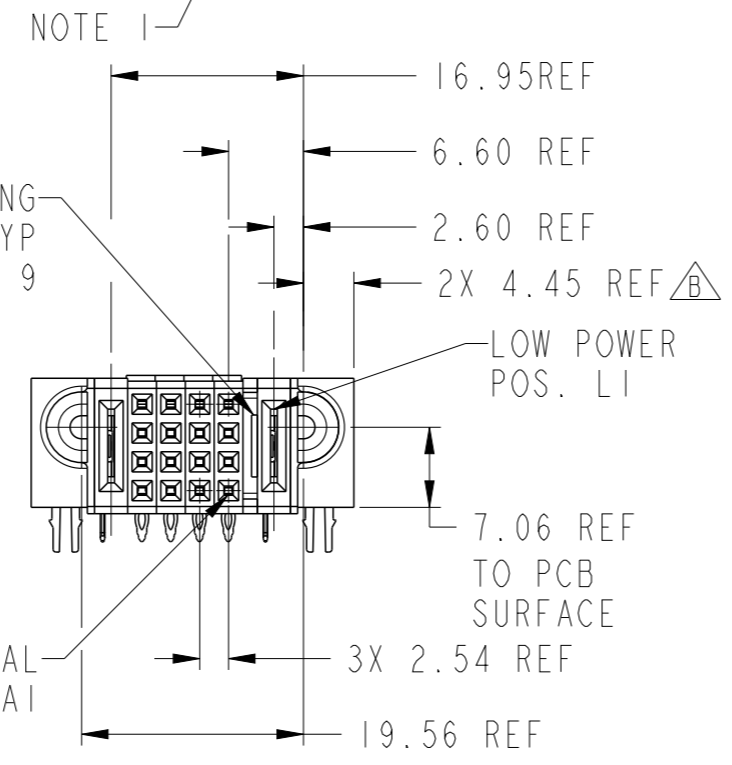
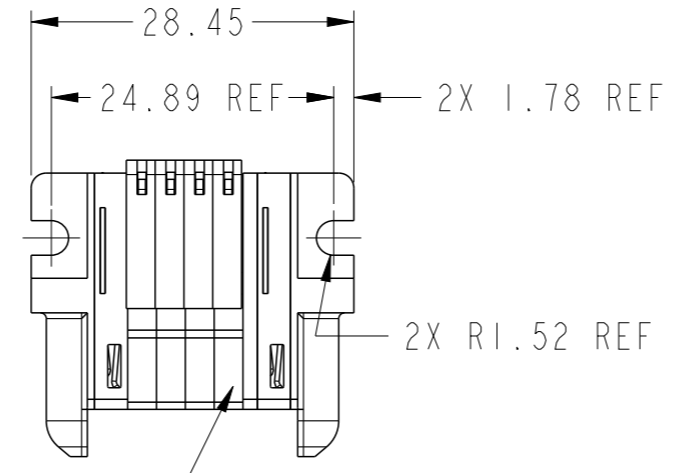
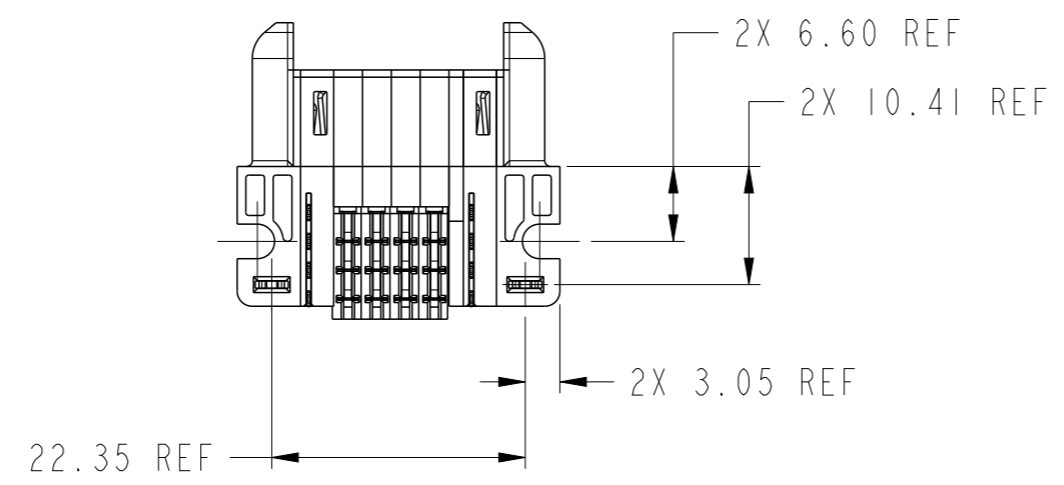
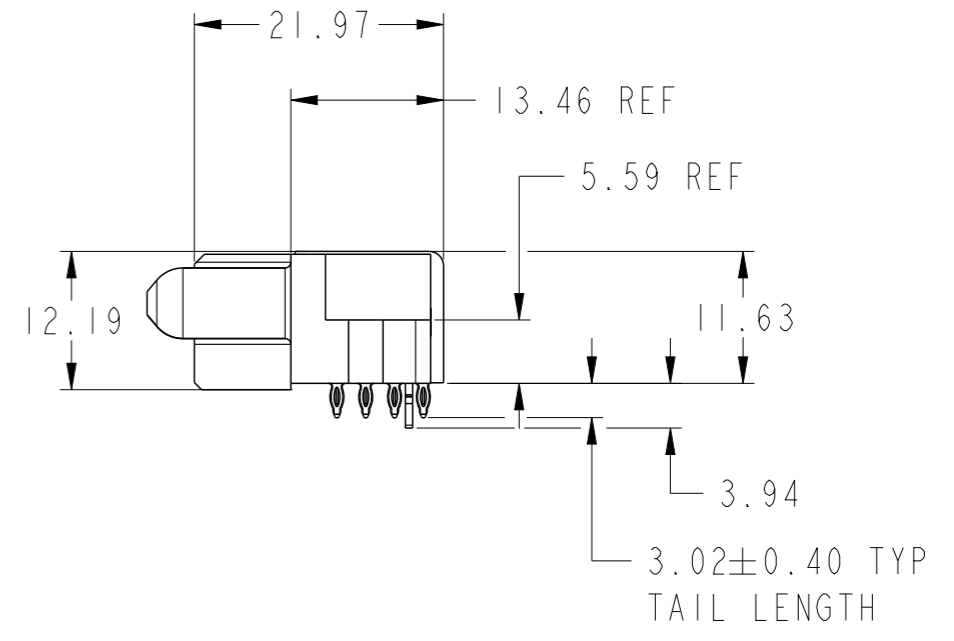


PRODUCT NUMBER SEE SHEET 2



VOID CORING OPTION, TYP SEE NOTE 9

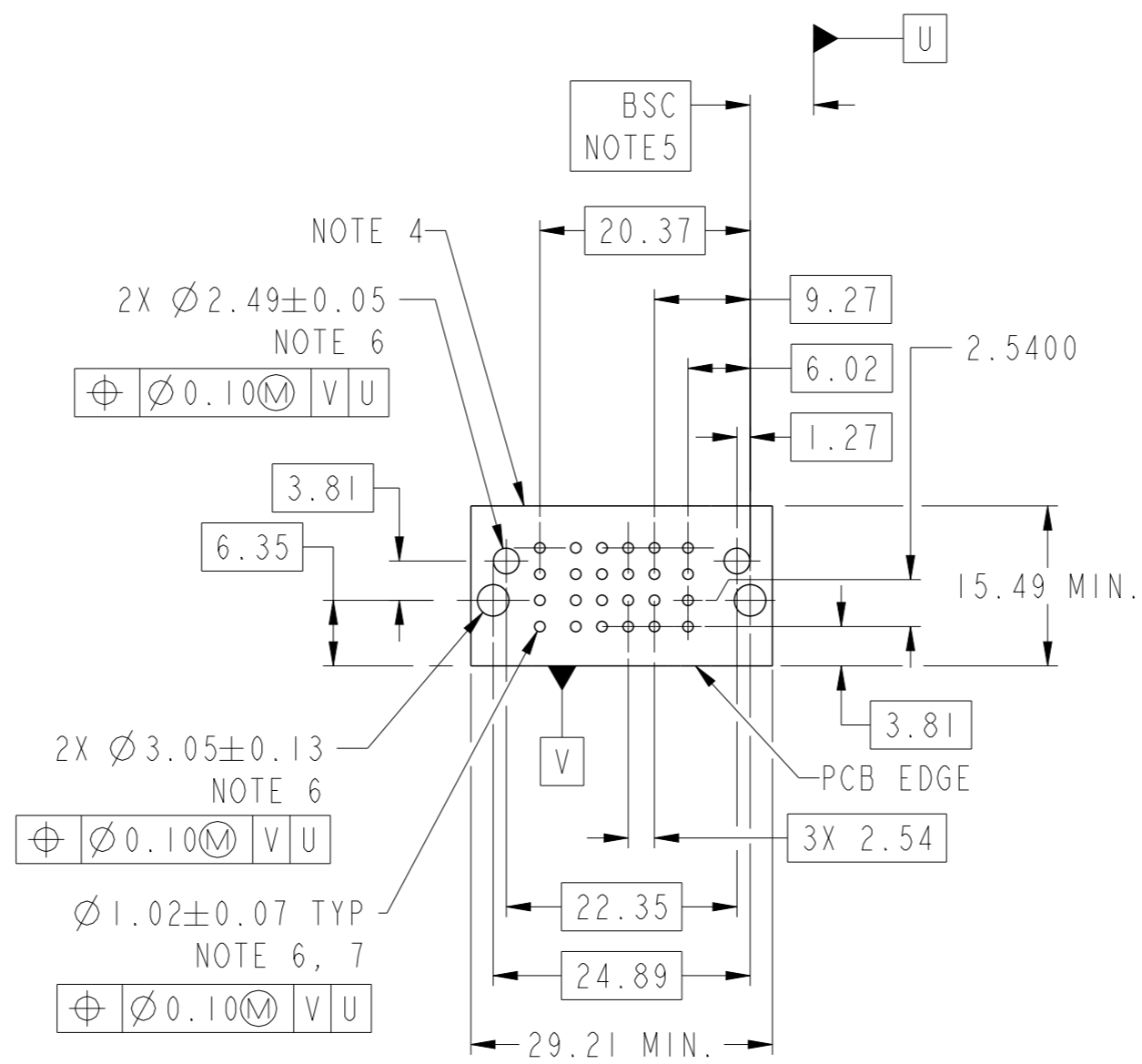


spec ref	-			dr	Kar Babu	2012/05/12	projection	MM	size	A3	scale	3:2			
tolerance std	ASME Y14.5			eng	Peng-Bing Fu	2012/11/14			ecn no			ELX-DG-013144-1			
TOLERANCES UNLESS OTHERWISE SPECIFIED				chr	Tian-Xu Huang	2012/11/15			product family			PwrBlade+	rel level	Released	
surface		linear	0.X	±0.5		title ILP + 16S + ILP RA PF RECEPTACLE	cat. no.	dwg no 10106265-0204001	rev B	ASME Y14.5			angular	0°	±2°
			0.XX	±0.25						www.fci.com			Product - Customer Drw		
			0.XXX	±0.10						PDS: Rev :B			STATUS:Released		

Copyright FCI.

PRODUCT NO.	ROWS	LP	S					LP
		E1	L2	4	3	2	1	L1
10106265-0204001LF	DCBA	LT		S	S	S	S	LT
		LT		R	R	R	R	LT
		LT		P	P	P	P	LT
		LT		N	N	N	N	LT

CODE	DESCRIPTION
HA	METAL HOLD DOWN
LT	STD LOW POWER CONTACT(3.02)
N	STD SIGNAL CONTACT, ROW A
P	STD SIGNAL CONTACT, ROW B
R	STD SIGNAL CONTACT, ROW C
S	STD SIGNAL CONTACT, ROW D



dr	Kar Babu	2012/05/12	projection MM ←→	size	A3	scale	3:2	
eng	Peng-Bing Fu	2012/11/14		ecn no	ELX-DG-013144-1			
chr	Tian-Xu Huang	2012/11/15		product family	PwrBlade+	rel level	Released	
appr	Pei-Ming Zheng	2012/11/15	title		ILP + 16S + ILP RA PF RECEPTACLE		rev	B
www.fci.com		cat. no.	Product - Customer Drw		dwg no	10106265-0204001	sheet 2 of 3	

Copyright FCI.

NOTES:

- 1) "FCI", PART NUMBER AND DATE CODE TO BE MARKED ON THIS SURFACE.  
THE P/N CAN BE OMITTED IF THERE IS NOT ENOUGH SPACE ON THIS SURFACE.
- 2) MATERIALS:  
-HOUSING - GLASS FILLED WITH HIGH TEMP THERMOPLASTIC, UL94V-0.  
-SIGNAL CONTACT - COPPER ALLOY.  
-POWER CONTACT - HIGH CONDUCTIVITY COPPER ALLOY.
- 3) PLATING SPECIFICATION REFER TO FCI 10116351
- 4) DENOTES CONNECTOR KEEP OUT ZONE.
- 5) DATUM AND BASIC DIMENSIONS WERE ESTABLISHED BY CUSTOMER.
- 6) ALL HOLE DIAMETERS ARE FINISHED HOLE SIZES.
- 7)  $1.15 \pm 0.025$ MM DRILLED HOLE PLATED WITH 0.00762MM MIN Sn  
OVER 0.0254-0.0762MM Cu PLATING TO ACHIEVE A  $1.02 \pm 0.07$ MM HOLE.
- 8) PRODUCT SPECIFICATION REFER TO FCI GS-12-658.  
APPLICATION SPECIFICATION REFER TO FCI GS-20-141.  
PRODUCT PACKAGED IN TRAYS, REFER TO FCI GS-14-1502.
- 9) THE VOID CORING IN BETWEEN POWER MODULES, SIGNAL  
MODULES AND END MODULES ARE OPTIONAL AND THE SHAPE  
MAY BE DIFFERENT FOR OPTIMIZE THE MOLDING PROCESS. THE  
VOID CORING WILL NOT EFFECT TO PRODUCT FUNCTION.
- 10) A  $\triangle$  SYMBOL WILL BE NEXT TO ANY DIMENSION, VIEW, OR NOTE WHICH  
HAS BEEN MODIFIED WITH THE CURRENT DRAWING REVISION.



Copyright FCI.

dr	Kar Babu	2012/05/12	projection 	MM 	size	A3	scale	3:2
eng	Peng-Bing Fu	2012/11/14			ecn no	ELX-DG-013144-1		
chr	Tian-Xu Huang	2012/11/15			product family	PwrBlade+	rel level	Released
appr	Pei-Ming Zheng	2012/11/15			title ILP + 16S + ILP RA PF RECEPTACLE		dwg no 10106265-0204001	rev B
www.fci.com		cat. no.	Product - Customer Drw		sheet 3 of 3			