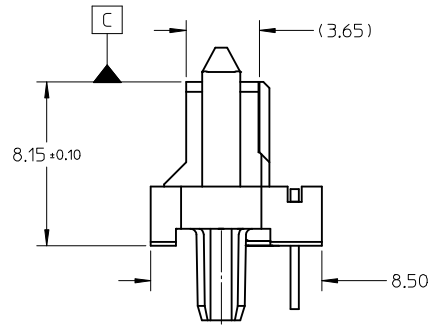


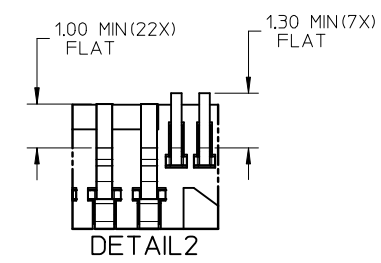
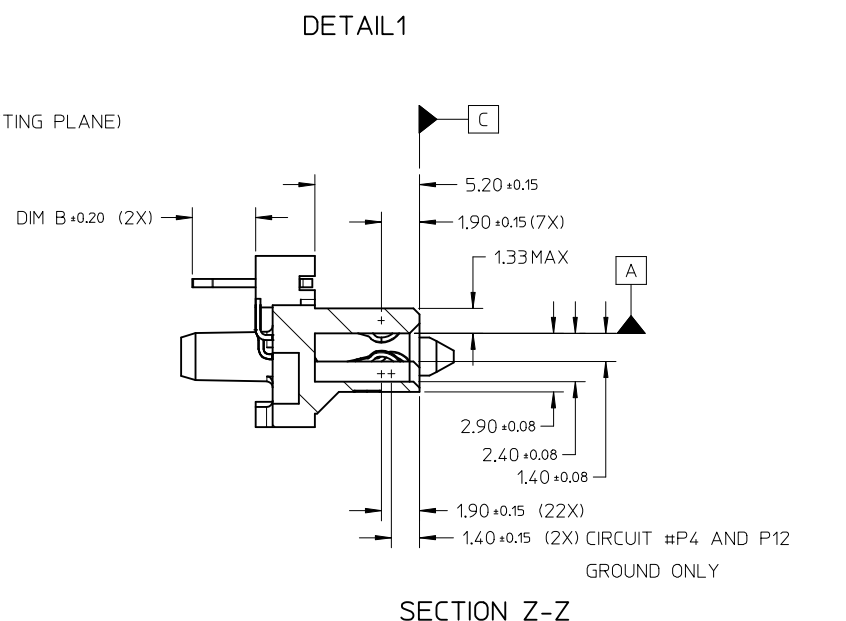
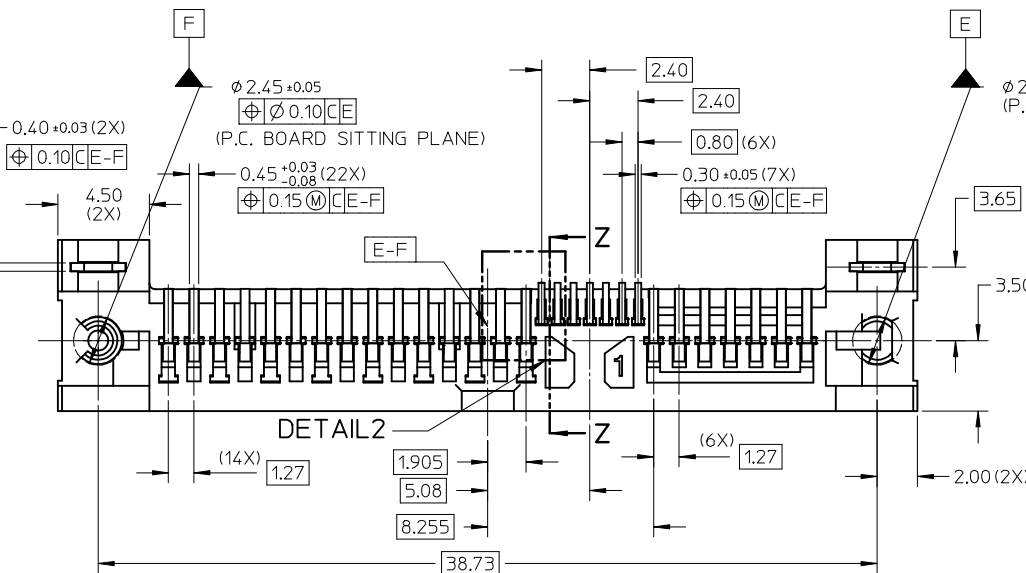
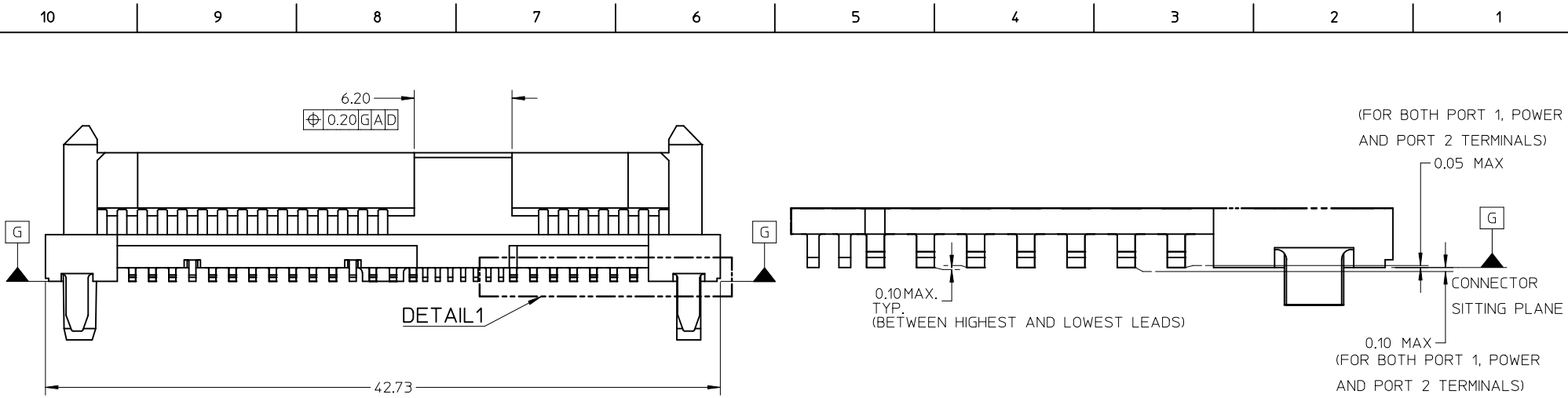
NOTES:

- MATERIAL: LIQUID CRYSTALLINE POLYMER (LCP). GLASS FILLED UL 94V-0
COLOR: BLACK
TERMINAL: COPPER ALLOY
- PLATING:
CONTACT: SEE TABLE IN SHEET 3.
SOLDERTAIL: 2.54μ MIN, TIN OVER 1.27 μm MIN, NICKEL UNDERPLATE
- PRODUCT SPECIFICATION: PS-78715-001
- PACKAGING SPECIFICATION: SEE TABLE
- DATE CODE TO BE LOCATED APPROXIMATELY AS SHOWN.
- PRODUCT IS COMPLIANT TO RoHS DIRECTIVE WITH THE FOLLOWING BANNED SUBSTANCES - LEAD, MERCURY, CADMIUM, HEXAVALENT CHROMIUM, POLYBROMINATED BIPHENYLS AND POLYBROMINATED DIPHENYL ETHERS.
- MOLEX LOGO LOCATED APPROXIMATELY AS SHOWN
- MATES WITH: SAS 3.0 PLUG, SAS 2.0 PLUG, SATA PLUG
- ALL DESIGNATED GROUND PINS BY DESIGN ARE A SINGLE RETURN PATH.



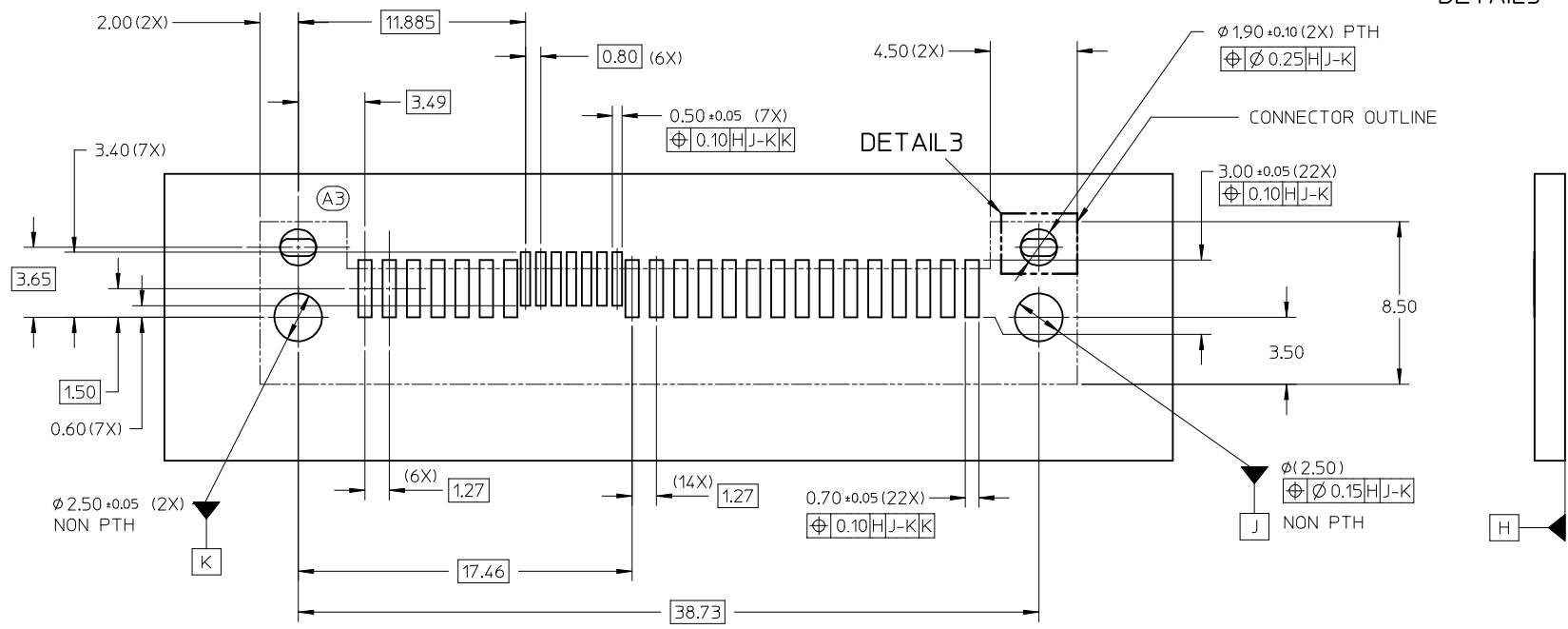
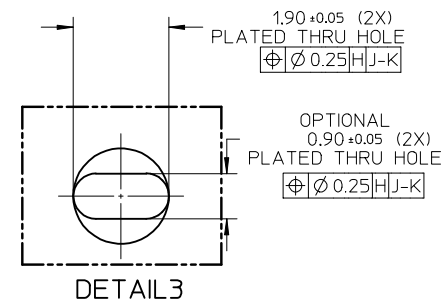
ADD NEW P/N EC NO: S2015-0542 DRW:HCCH CHKD: JESSIE CHUA APPR: SHONG 2014/12/04 2014/12/04 2015/01/05	QUALITY SYMBOLS $F_{\Delta} = 0$ $F_{\square} = 0$ $F_{\nabla} = 0$	GENERAL TOLERANCES (UNLESS SPECIFIED)		DIMENSION STYLE MM ONLY		SCALE NTS	DESIGN UNITS METRIC	THIRD ANGLE PROJECTION		
		4 PLACES ± --- ± --- 3 PLACES ± --- ± --- 2 PLACES ± 0.20 ± --- 1 PLACE ± --- ± ---	mm INCH	DRAWN BY CGOH	DATE 2011/06/01	TITLE SERIAL ATTACH SCSI STD HEIGHT BACKPLANE SMT RECEPTACLE (WITH BLADE)				
		ANGULAR ± 3 °		CHECKED BY SCHEONG	DATE 2011/06/10	MOLEX MOLEX INCORPORATED				
		DRAFT WHERE APPLICABLE MUST REMAIN WITHIN DIMENSIONS		APPROVED BY BOKOK	DATE 2011/06/10	MATERIAL NO. SEE TABLE	DOCUMENT NO. SD-78715-001	SHEET NO. 1 OF 3		

THIS DRAWING CONTAINS INFORMATION THAT IS PROPRIETARY TO MOLEX INCORPORATED AND SHOULD NOT BE USED WITHOUT WRITTEN PERMISSION

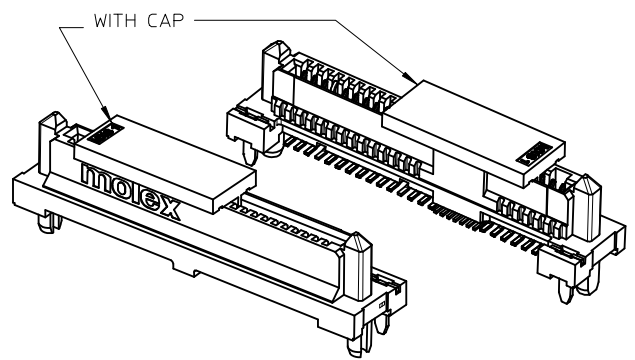


ADD NEW P/N EC NO: S2015-0542 DRW: HJCGOH CHKD: JESSIECHUA APPR: SHONG 2014/12/04 2014/12/04 2015/01/05	QUALITY SYMBOLS F=0 F=0 F=0	GENERAL TOLERANCES (UNLESS SPECIFIED)		DIMENSION STYLE MM ONLY		SCALE NTS	DESIGN UNITS METRIC	THIRD ANGLE PROJECTION		
			mm	INCH	DRAWN BY	DATE	TITLE			
		4 PLACES	± ---	± ---	CGOH	2011/06/01	SERIAL ATTACH SCSI			
		3 PLACES	± ---	± ---	CHECKED BY	DATE	STD HEIGHT BACKPLANE SMT			
	± 0.20	± ---	SCHEONG	2011/06/10	RECEPTACLE (WITH BLADE)					
1 PLACE	± ---	± ---	APPROVED BY	DATE	MOLEX INCORPORATED					
	ANGULAR ± 3 °		BOKOK	2011/06/10	MOLEX INCORPORATED					
DRAFT WHERE APPLICABLE MUST REMAIN WITHIN DIMENSIONS		SEE TABLE		MATERIAL NO.		DOCUMENT NO.		SHEET NO.		
				SD-78715-001		SD-78715-001		2 OF 3		
				THIS DRAWING CONTAINS INFORMATION THAT IS PROPRIETARY TO MOLEX INCORPORATED AND SHOULD NOT BE USED WITHOUT WRITTEN PERMISSION						

PART NO	PACKAGING	QUANTITY	PICK & PLACE CAP	DIM A	DIM B	PACKAGING SPECIFICATION	CONTACT FINISHES
78715-0001	TRAY	50/TRAY	NO	3.70	3.15	PK-78715-002	0.76µM MIN SELECTIVE GOLD OVER 1.27µM MIN NICKEL UNDERPLATE
78715-0002	TRAY	50/TRAY	YES	3.70	3.15	PK-78715-002	
78715-0004	TAPE AND REEL	250/REEL	YES	3.70	3.15	PK-78715-003	
78715-0025	TAPE AND REEL	250/REEL	YES	2.10	1.70	PK-78715-003	0.38µM MIN SELECTIVE GOLD OVER 1.27µM MIN NICKEL UNDERPLATE
78715-0013	TAPE AND REEL	250/REEL	YES	3.70	3.15	PK-78715-003	



RECOMMENDED PCB LAYOUT
THICKNESS: 1.60 ± 0.10 mm



ADD NEW P/N EC NO: S2015-0542 DRW: HCGOH CH'KD: JESS IECHUA APPR: SHONG 2014/12/04 2014/12/04 2015/01/05	QUALITY SYMBOLS $\nabla_F = 0$ $\nabla_F = 0$ $\nabla_F = 0$	GENERAL TOLERANCES (UNLESS SPECIFIED)		DIMENSION STYLE MM ONLY		SCALE NTS	DESIGN UNITS METRIC	THIRD ANGLE PROJECTION	
			mm	INCH	DRAWN BY	DATE	TITLE		
		4 PLACES	± ---	± ---	CGOH	2011/06/01	SERIAL ATTACH SCSI		
		3 PLACES	± ---	± ---	CHECKED BY	DATE	STD HEIGHT BACKPLANE SMT		
			2 PLACES	± 0.20	± ---	SCHEONG	2011/06/10	RECEPTACLE (WITH BLADE)	
			1 PLACE	± ---	± ---	APPROVED BY	DATE	MOLEX INCORPORATED	
			ANGULAR ± 3 °			BOKOK	2011/06/10	DOCUMENT NO. SD-78715-001	
			DRAFT WHERE APPLICABLE MUST REMAIN WITHIN DIMENSIONS			MATERIAL NO.		SHEET NO. 3 OF 3	
						SEE TABLE		THIS DRAWING CONTAINS INFORMATION THAT IS PROPRIETARY TO MOLEX INCORPORATED AND SHOULD NOT BE USED WITHOUT WRITTEN PERMISSION	