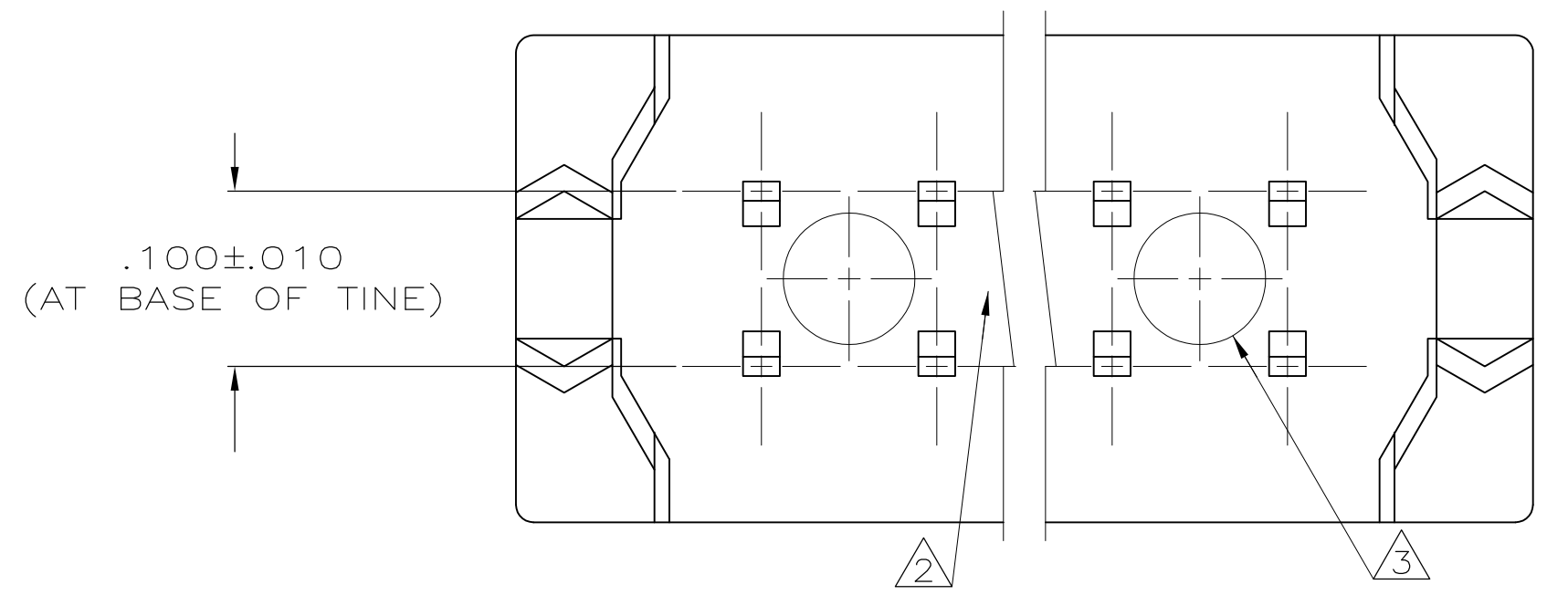
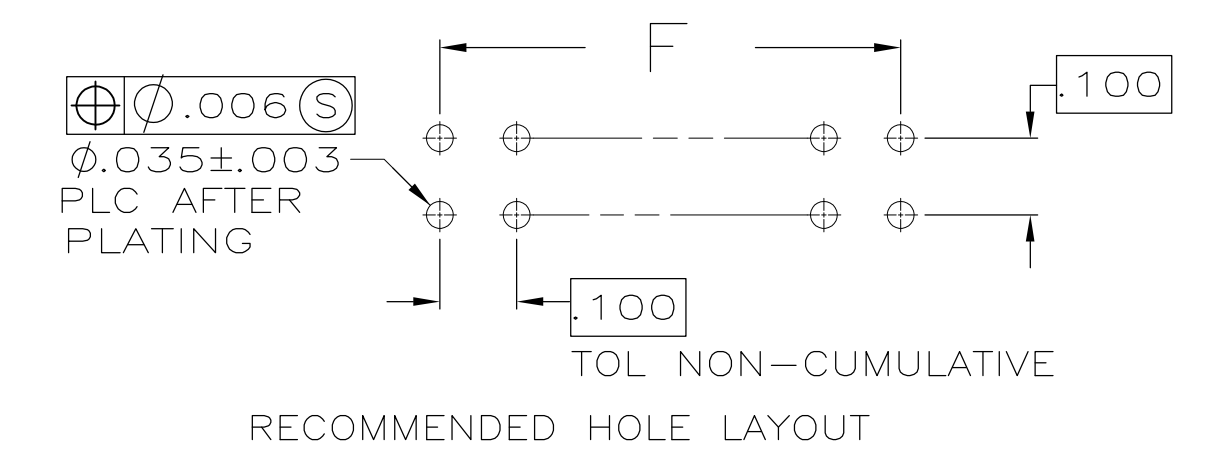


- ④ CONTACTS DESIGNED FOR 26 & 28 AWG STRANDED OR 26, 28 & 30 AWG SOLID WIRE.
- ⑤ AMP TRADEMARK LOCATED IN APPROX AREA SHOWN.
- ③ STANDOFFS: POS 10 (2) STANDOFFS AS SHOWN.
 14-16 (3) STANDOFFS, (1) CENTERED BETWEEN (2) SHOWN
 20-26 (4) (2)
 30 (5) (3)
 34 (6) (4)
 40-44 (7) (5)
 50 (8) (6)
 60 (9) (7)
 64 (10) (8)
- ④ .000100-.000200 BRIGHT TIN-LEAD, ALL OVER .000050 NICKEL.
- ⑤ HEIGHT AFTER TERMINATION IS .253 ±.010.
- 6. FOR USE IN .062 - .093" THICK PCB.
- ⑦ .000005 MIN GOLD ON RIBBON CABLE TERMINATION AREA, .000100-.000200 MATTE TIN ON SOLDER TAILS, ALL OVER .000050 MIN NICKEL.
- ⑧ MOLDED PARTS, 94V-0 RATED THERMOPLASTIC, COLOR: BLACK
 CONTACTS: PHOS BRONZE.



⑦	24	2.680	48	49	50	2-111382-0	
⑦	16	1.880	32	33	34	1-111382-9	
⑦	12	1.480	24	25	26	1-111382-8	
⑦	9	1.180	18	19	20	1-111382-7	
⑦	7	0.980	14	15	16	1-111382-6	
⑦	4	.680	8	9	10	1-111382-4	
OBSOLETE	④	21	2.380	42	43	44	1-111382-3
OBSOLETE	④	31	3.380	62	63	64	1-111382-2
OBSOLETE	④	29	3.180	58	59	60	1-111382-1
OBSOLETE	④	24	2.680	48	49	50	1-111382-0
OBSOLETE	④	19	2.180	38	39	40	111382-9
OBSOLETE	④	16	1.880	32	33	34	111382-8
OBSOLETE	④	14	1.680	28	29	30	111382-7
OBSOLETE	④	12	1.480	24	25	26	111382-6
OBSOLETE	④	11	1.380	22	23	24	111382-5
OBSOLETE	④	9	1.180	18	19	20	111382-4
OBSOLETE	④	7	.980	14	15	16	111382-3
OBSOLETE	④	6	.880	12	13	14	111382-2
OBSOLETE	④	4	.680	8	9	10	111382-1
	CONTACT FINISH	D	C	B	A	NO OF POSN	PART NO

THIS DRAWING IS A CONTROLLED DOCUMENT.

DIMENSIONS: INCHES	TOLERANCES UNLESS OTHERWISE SPECIFIED:	DIN 11-29-04	11-29-04
0 PLC ± -	1 PLC ± -	L VARELA - DOCKS	11-29-04
2 PLC ± -	3 PLC ± .005	C ROHDE	11-29-04
4 PLC ± -	ANGLES ± -	APVD M WALMSLEY	11-29-04
MATERIAL	FINISH CONTACTS: SEE TABLE	NAME	KIT, DIP PLUG, PREASSEMBLED, .100 X .100 CENTERLINE, AMP-LATCH
		PRODUCT SPEC	108-40013
		APPLICATION SPEC	114-40005
		SIZE	A1
		WEIGHT	00779
		CAGE CODE	111382
		DRAWING NO	111382
		RESTRICTED TO	
		CUSTOMER DRAWING	SCALE 10:1 SHEET 1 OF 1 REV L