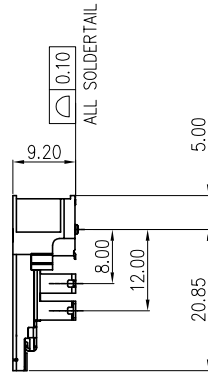
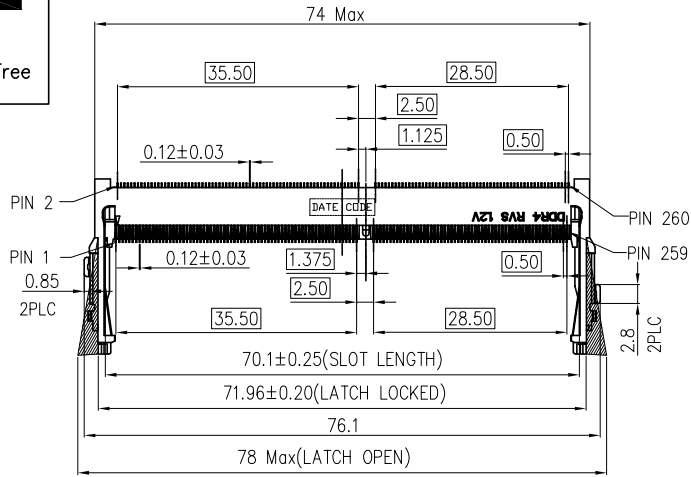


**HF**  
Halogen Free



NOTES:

1. MATERIAL:

1.1 HOUSING: LCP, UL94V-0, COLOR: BLACK.

1.2 CONTACT: PHOSPHOR BRONZE.

1.3 SOLDER PEG AND LATCH: STAINLESS STEEL.

2. FINISH:

2.1 CONTACT: 50u" MIN NICKEL UNDERPLATED ALL OVER.

GOLD FLASH PLATING ON SOLDER TAIL.

2.2 SOLDER PEG: GOLD PLATING (THICKNESS SEE TABLE) ON CONTACT AREA.

50u" MIN NICKEL UNDERPLATED ALL OVER.

AU 2u" MAX ON SOLDER TAIL.

3. DATE CODE : FYYWDLX

YY: YEAR (09: 2009)

WW: WEEK (25: THE 25TH WEEK)

D: DAY (1~7: SUNDAY~SATURDAY)

L: LINE NUMBER OF ASSEMBLY (A: LINE A)

X: D OR N (D: DAY; N: NIGHT)

4. PART NUMBER DESCRIPTION:

10141733-00X R LF

LF: LEAD FREE

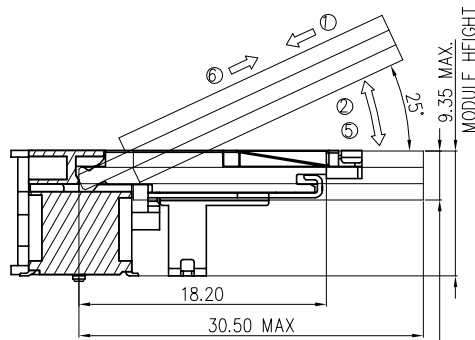
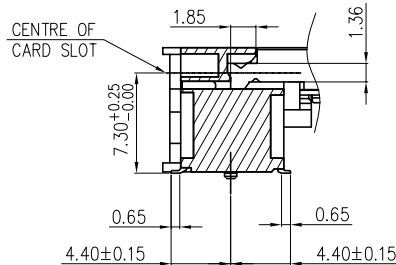
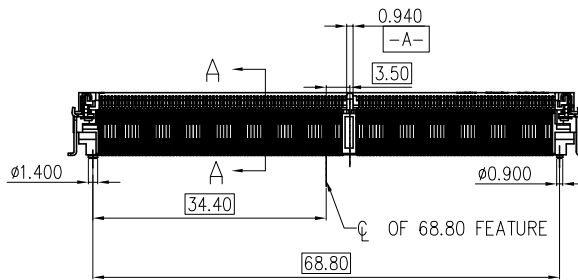
R: TAPE & REEL PACKING

PLATING CODE:

1: GF

4: Au15u"

5: Au30u"

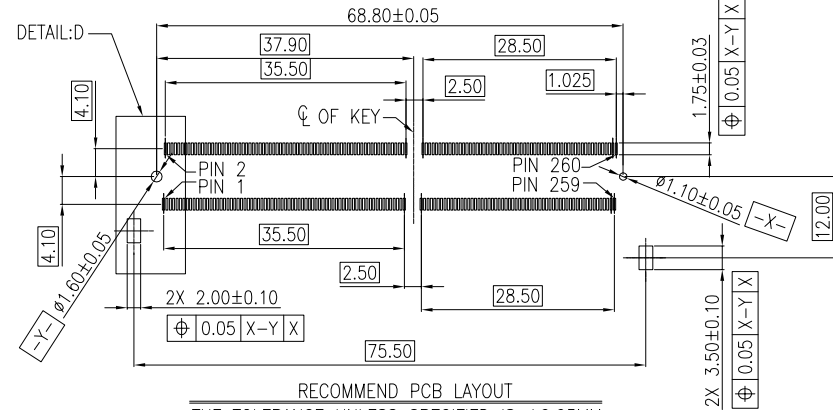
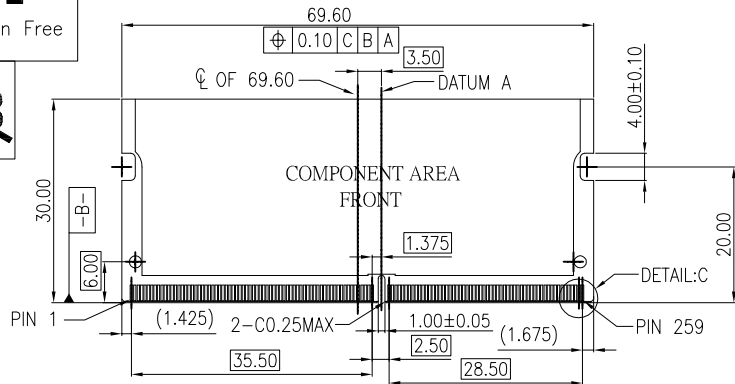


MATING/UNMATING VIEW  
SCALE 2:1

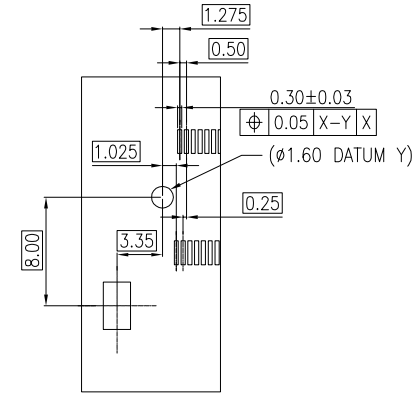
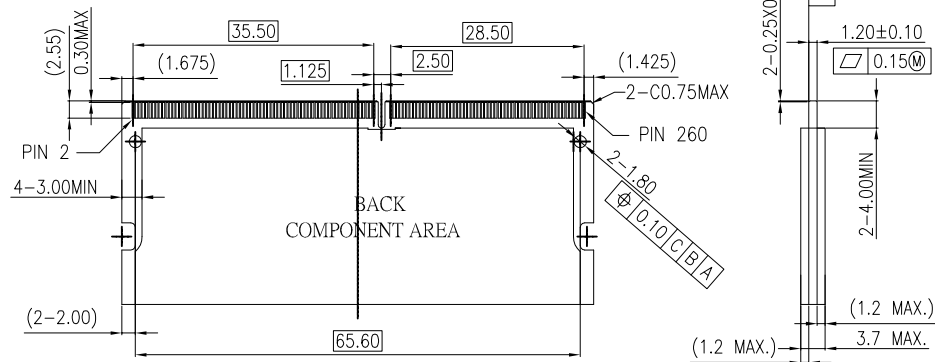
MATING: ① INSERTING (25°) — ② ROTATING — ③ FIXED  
UNMATING: ④ UNFIXED — ⑤ ROTATING — ⑥ WITHDRAWING

mat'l. code		surface		tolerance		projection		product family	
-		-		ASME_Y14.5		MM		DDR	
ltr		ecn no		dr		date		title	
								DDR4_SO_DIMM_260P	
								9.2H_RVS_ASSEMBLY	
								dwg no	
								sheet 1 of 3	
								size	
								A4	
								type	
								CUSTOMER Drawing	
sheet index		revision		A					
		sheet							

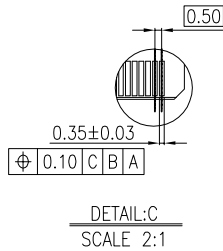
**HF**  
Halogen Free



RECOMMEND PCB LAYOUT  
 THE TOLERANCE UNLESS SPECIFIED IS  $\pm 0.05$ MM



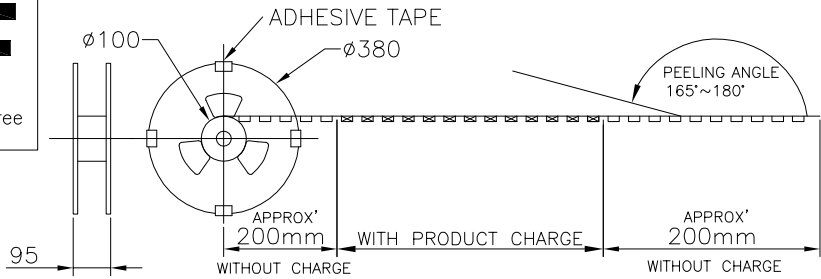
DETAIL:D  
 SCALE 2:1



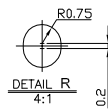
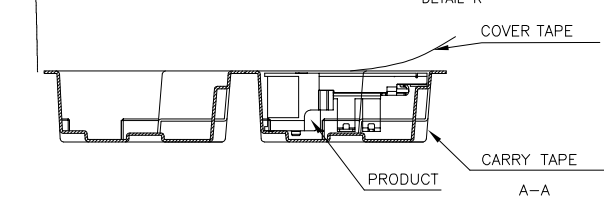
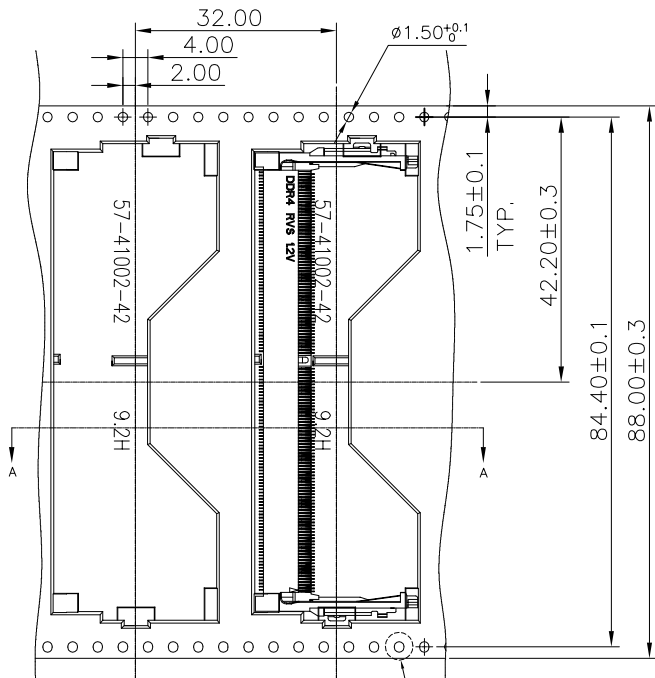
mat'l. code	surface	tolerance	projection	product family
-	-	ASME_Y14.5		DDR
ltr	ecn no	dr	date	title
				DDR4_SO_DIMM_260P 9.2H_RVS_ASSEMBLY
	angles	Linear	MM	dwg no
	$\pm 2^\circ$	.0 $\pm$ 0.30 .00 $\pm$ 0.20 .000 $\pm$ 0.10	scale N/A	sheet 2 of 3
dr	ZHENHUA_LIU	2016-11-02	<b>Amphenol</b> <b>FCI</b>	10141733
enr	ZHENHUA_LIU	2016-11-02		A4
chr	STONE_LI	2016-11-02		type
app	PM_ZHENG	2016-11-02		CUSTOMER Drawing
sheet index	revision	A		
	sheet			

**HF**

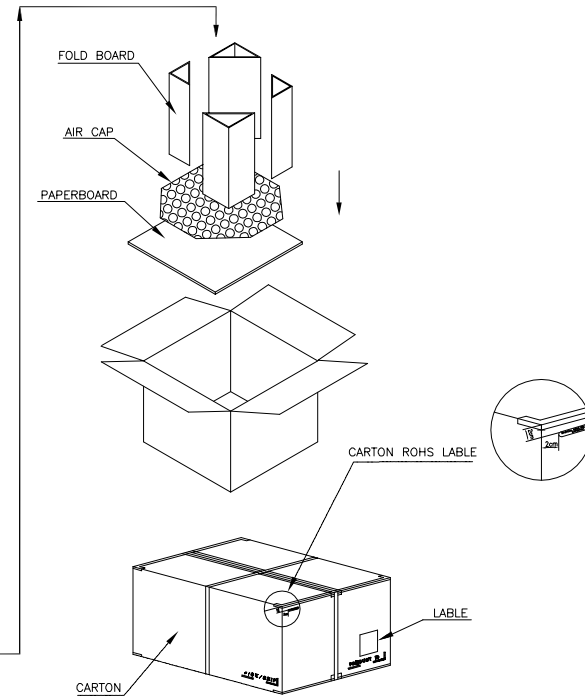
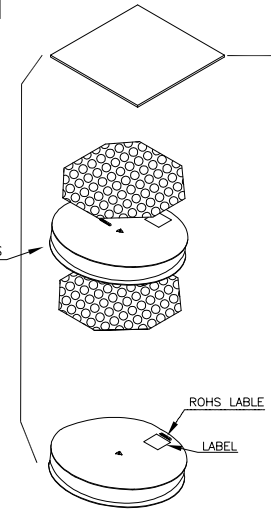
Halogen Free



PULL OUT DIRECTION →



REEL TOTAL 2 LAYERS



250	2	500
PCS/ REEL	REEL/ CARTON	PCS/ CARTON

mat'l. code	surface	tolerance	projection	product family
-	-	ASME_Y14.5	MM	DDR
ltr	ecn no	dr	date	title
				DDR4_SO_DIMM_260P 9.2H_RVS_ASSEMBLY
				dwg no
				10141733
				type
				CUSTOMER Drawing

tolerances unless otherwise specified	angles	dr	engr	chr	appd	sheet index	revision sheet	A
.0±.30	±2°	ZHENHUA_LIU	ZHENHUA_LIU	STONE_LI	PM_ZHENG			
.00±.020		2016-11-02	2016-11-02	2016-11-02	2016-11-02			
.000±.010								