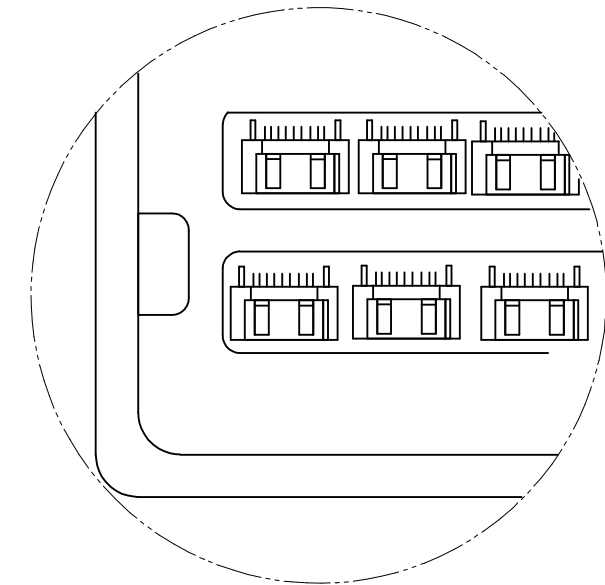
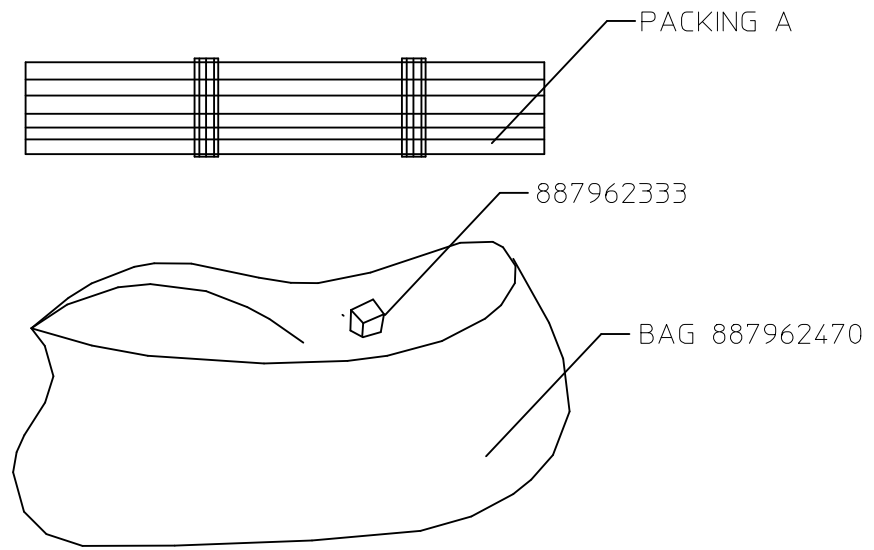
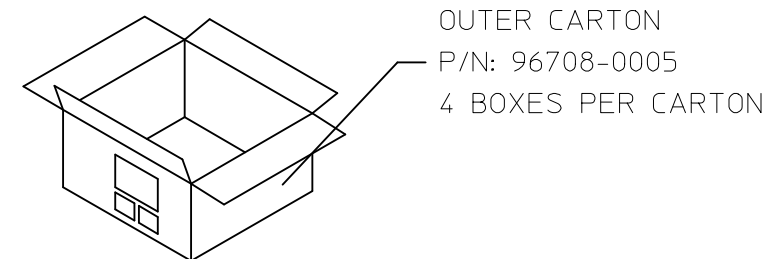
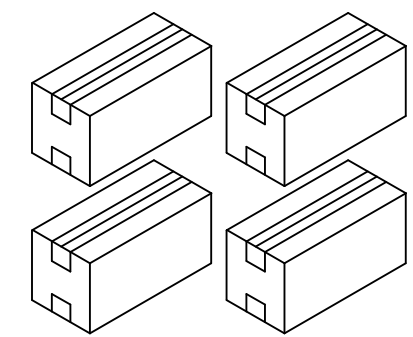
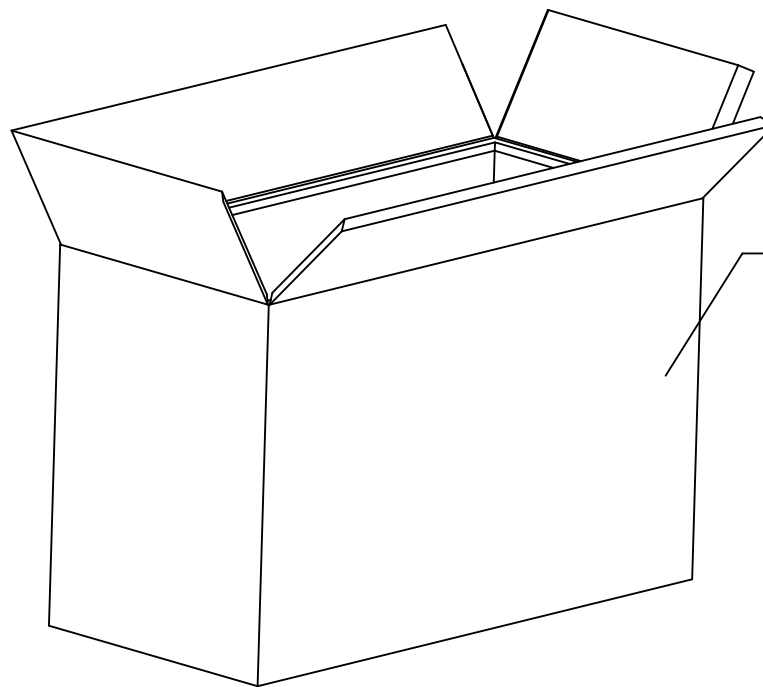
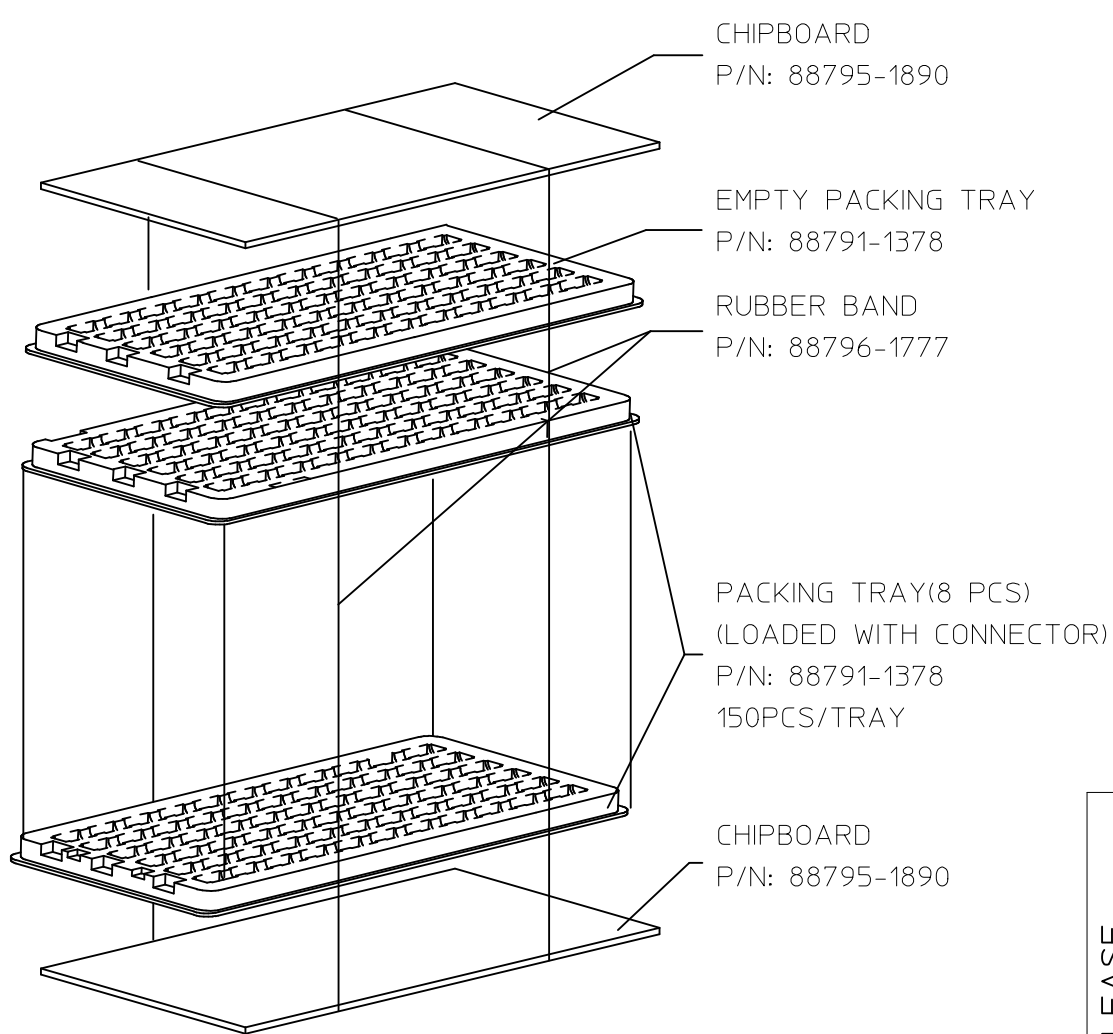


Detail1

PER TRAY QUANTITY: 19x7+17=150PCS

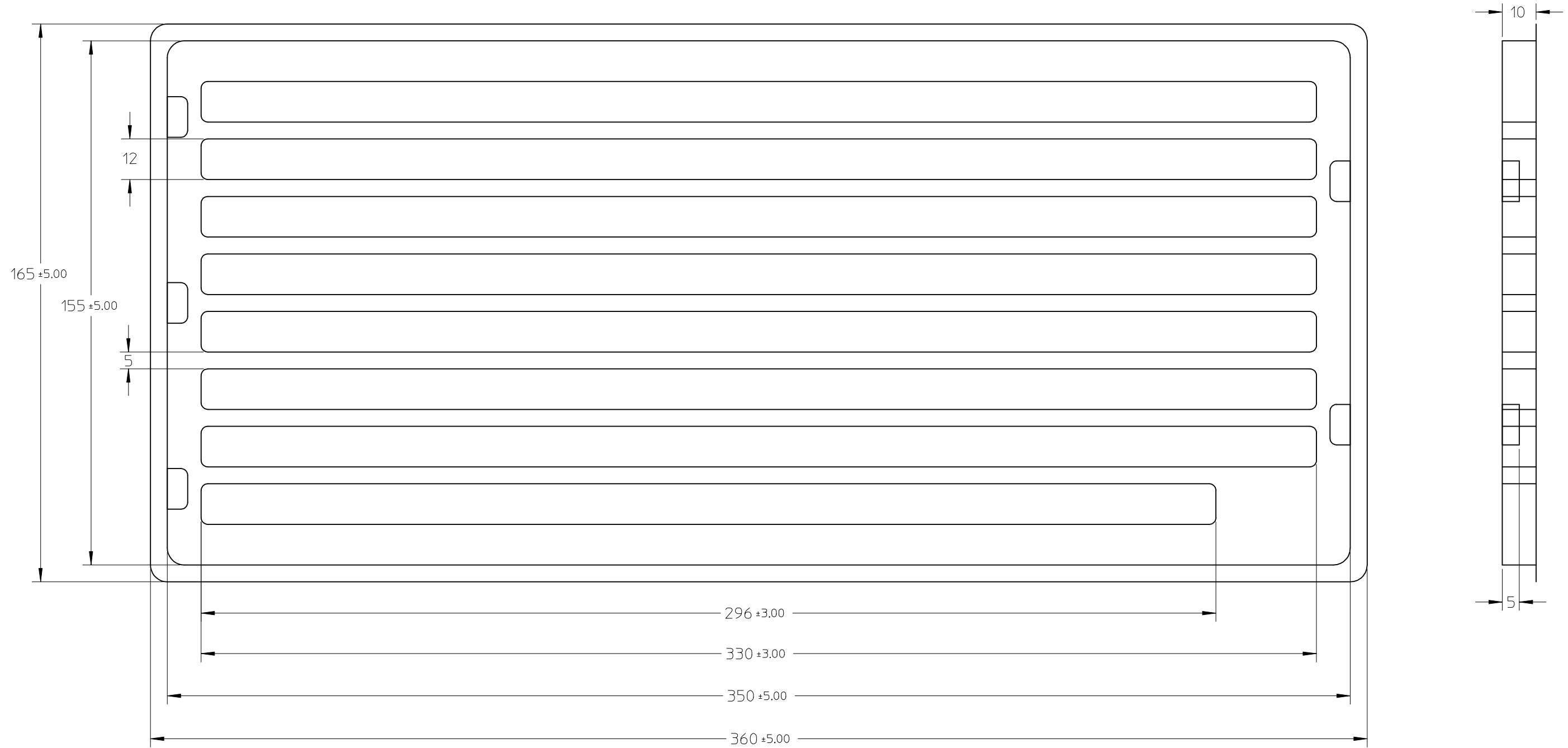


Detail1



PRODUCT P/N		QUANTITY PER TRAY	QUANTITY PER INNER BOX	QUANTITY PER OUTER CARTON
67800-10**	67800-30**	150 PCS	8X150=1200PCS	4X1200=4800PCS
67800-31**	67800-40**			
67800-41**	67800-50**			
67800-70**	67800-71**			
67800-80**	67800-81**			
67800-80**	67800-81**			

NEW RELEASE EC NO: S2017-0409 DRWN: DBFAN 2017/03/10 CHKD: JKACH I C 2017/03/10 APPR: JKACH I C 2017/03/10	REV	DESCRIPTION	QUALITY SYMBOLS	GENERAL TOLERANCES (UNLESS SPECIFIED)		DIMENSION STYLE MM ONLY		SCALE 5:1	DESIGN UNITS METRIC	THIRD ANGLE PROJECTION	SERIAL ATA VERTICAL DIP SOLDERING TAIL PACKING SPECIFICATION MOLEX INCORPORATED
			▼=0 ▽=0	mm	INCH	DRAWN BY BCHEN26	DATE 2005/12/07	TITLE			
				4 PLACES ± --- ± ---		CHECKED BY GRATE	DATE 2005/12/07				
				3 PLACES ± --- ± ---		APPROVED BY GCHEN	DATE 2005/12/07				
				2 PLACES ± 0.5 ± ---		MATERIAL NO. SEE TABLE	DOCUMENT NO. PK-67800-001			SHEET NO. 1 OF 2	
				1 PLACE ± 0.5 ± ---		SIZE A3	THIS DRAWING CONTAINS INFORMATION THAT IS PROPRIETARY TO MOLEX INCORPORATED AND SHOULD NOT BE USED WITHOUT WRITTEN PERMISSION				
				ANGULAR ± 3 °							
				DRAFT WHERE APPLICABLE MUST REMAIN WITHIN DIMENSIONS							



NOTES;
 1. MATERIAL OF TRAY; PS, COLOR IS WHITE, THICKNESS: 0.8MM
 2. TOLERANCE: ±1MM

NEW RELEASE EC NO: S2017-0409 DRWN: DBFAN CHKD: JKACHLIC APPR: JKACHLIC	2017/03/10	2017/03/10
	2017/03/10	2017/03/10
	2017/03/10	2017/03/10
	2017/03/10	2017/03/10
	2017/03/10	2017/03/10

REV	DESCRIPTION
B	

QUALITY SYMBOLS	GENERAL TOLERANCES (UNLESS SPECIFIED)
▼=0	
∇=0	
	ANGULAR ± 3 °
	DRAFT WHERE APPLICABLE MUST REMAIN WITHIN DIMENSIONS

DIMENSION STYLE	
MM ONLY	
DRAWN BY	DATE
BCHEN26	2005/12/07
CHECKED BY	DATE
GRATE	2005/12/07
APPROVED BY	DATE
GCHEN	2005/12/07
MATERIAL NO.	DOCUMENT NO.
SEE SHEET1	PK-67800-001

SCALE	DESIGN UNITS	THIRD ANGLE PROJECTION
5:1	METRIC	
TITLE		
SERIAL ATA VERTICAL DIP SOLDERING TAIL PACKING SPECIFICATION		
MOLEX INCORPORATED		
SHEET NO.		2 OF 2
THIS DRAWING CONTAINS INFORMATION THAT IS PROPRIETARY TO MOLEX INCORPORATED AND SHOULD NOT BE USED WITHOUT WRITTEN PERMISSION		