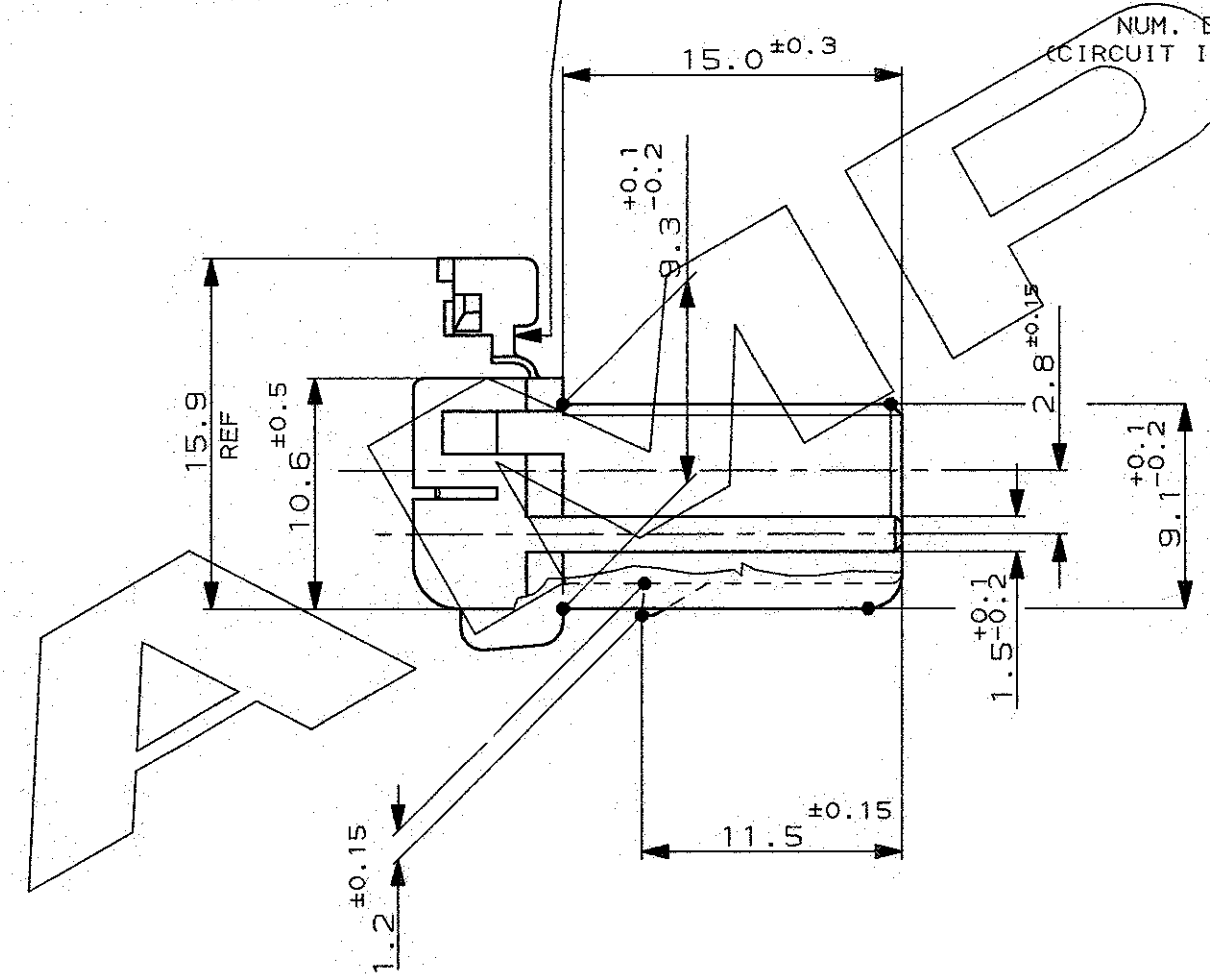


NO. DI IMPRONTA STAMPO
(MOULD CAVITY IDENTIF. NO.)

NUM. DI CAVITA'
(CIRCUIT IDENTIF. NO.)

CAVITA' ADATTE PER CONTATTI P/N:
(CAVITIES SUITABLE FOR CONTACTS P/N:)
282374-1 SEZ. 0.3-0.5 mm² (COD. FIAT 1/23197/44)
282375-1 SEZ. 0.75-1.5 mm² (COD. FIAT 1/24834/44)

LOGO "AMP"
(“AMP” TRADE MARK)

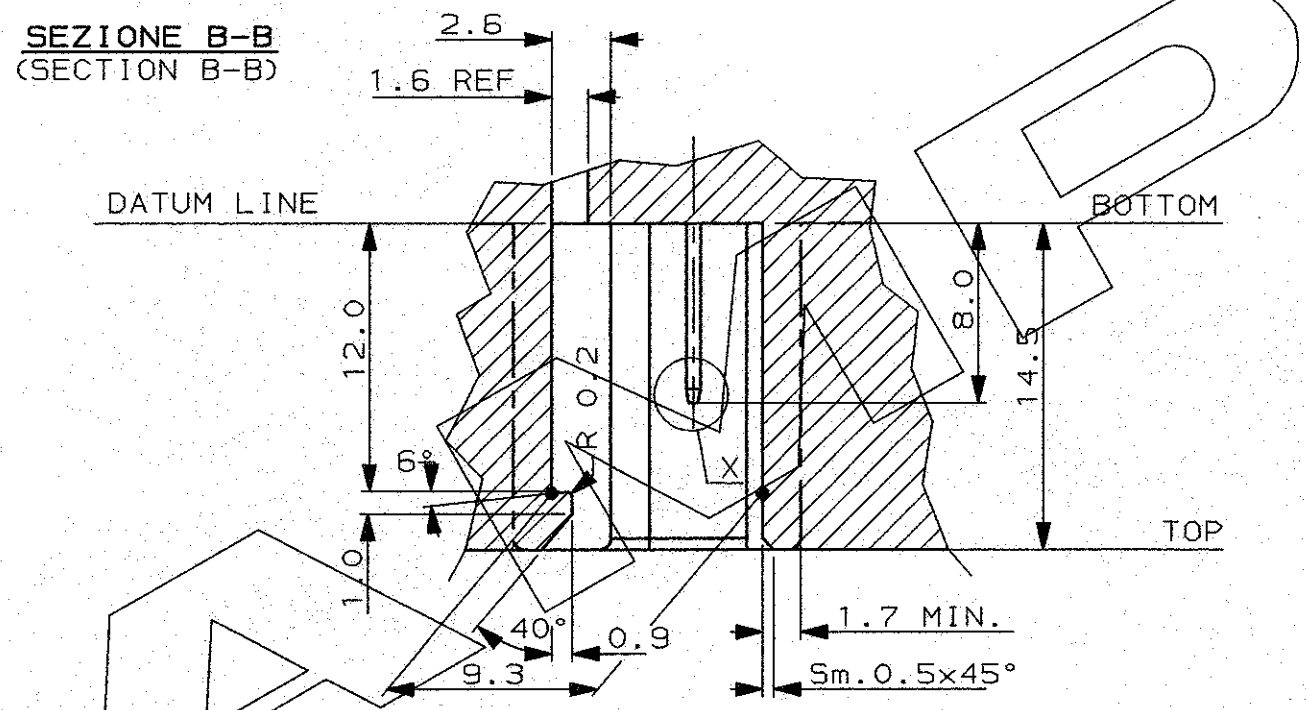
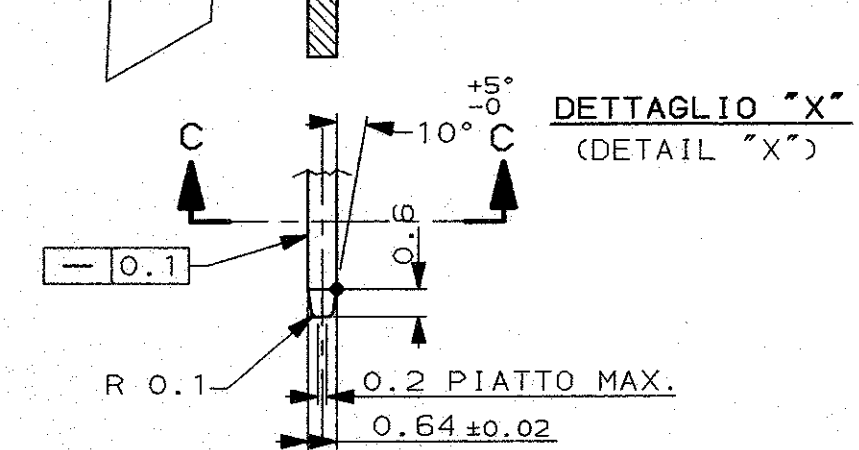
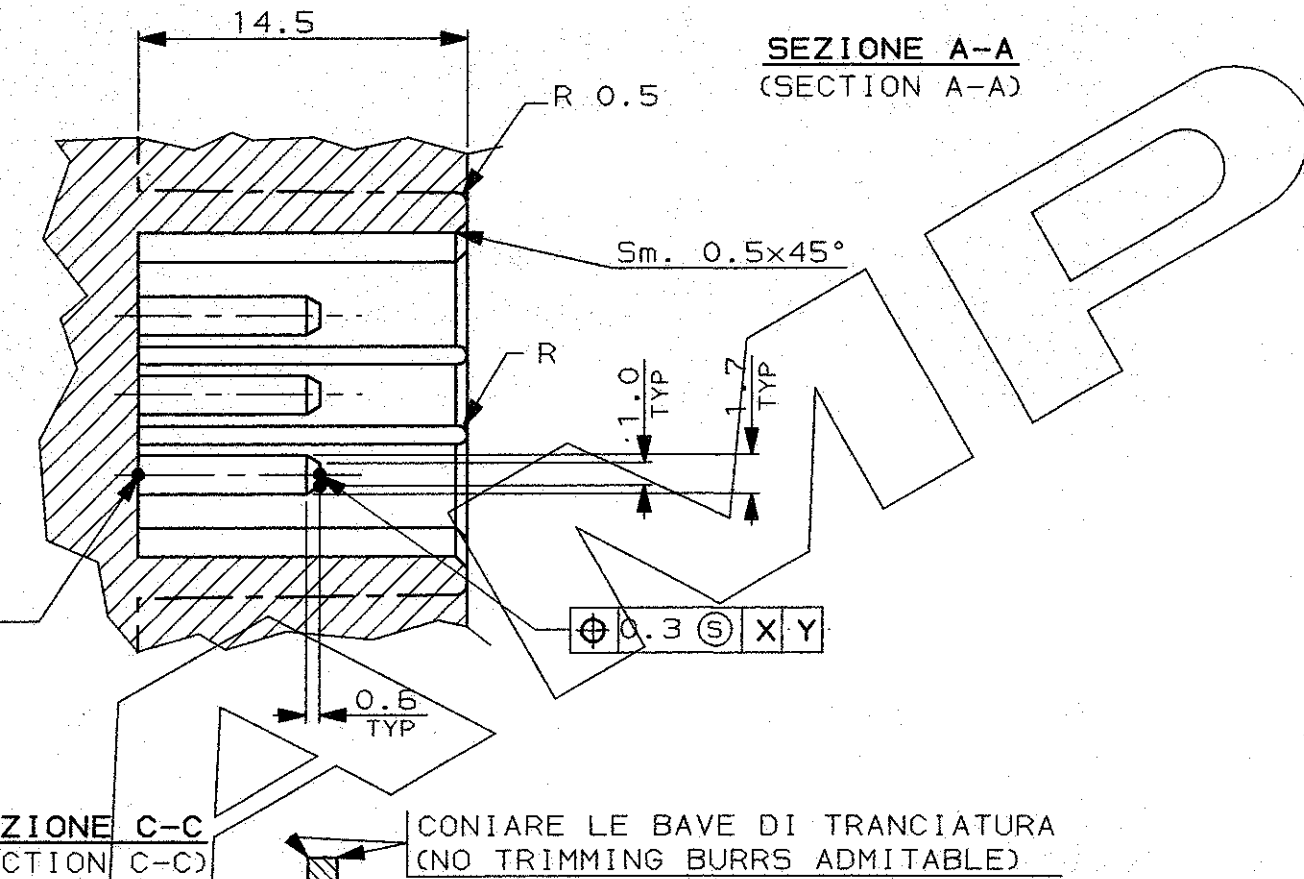
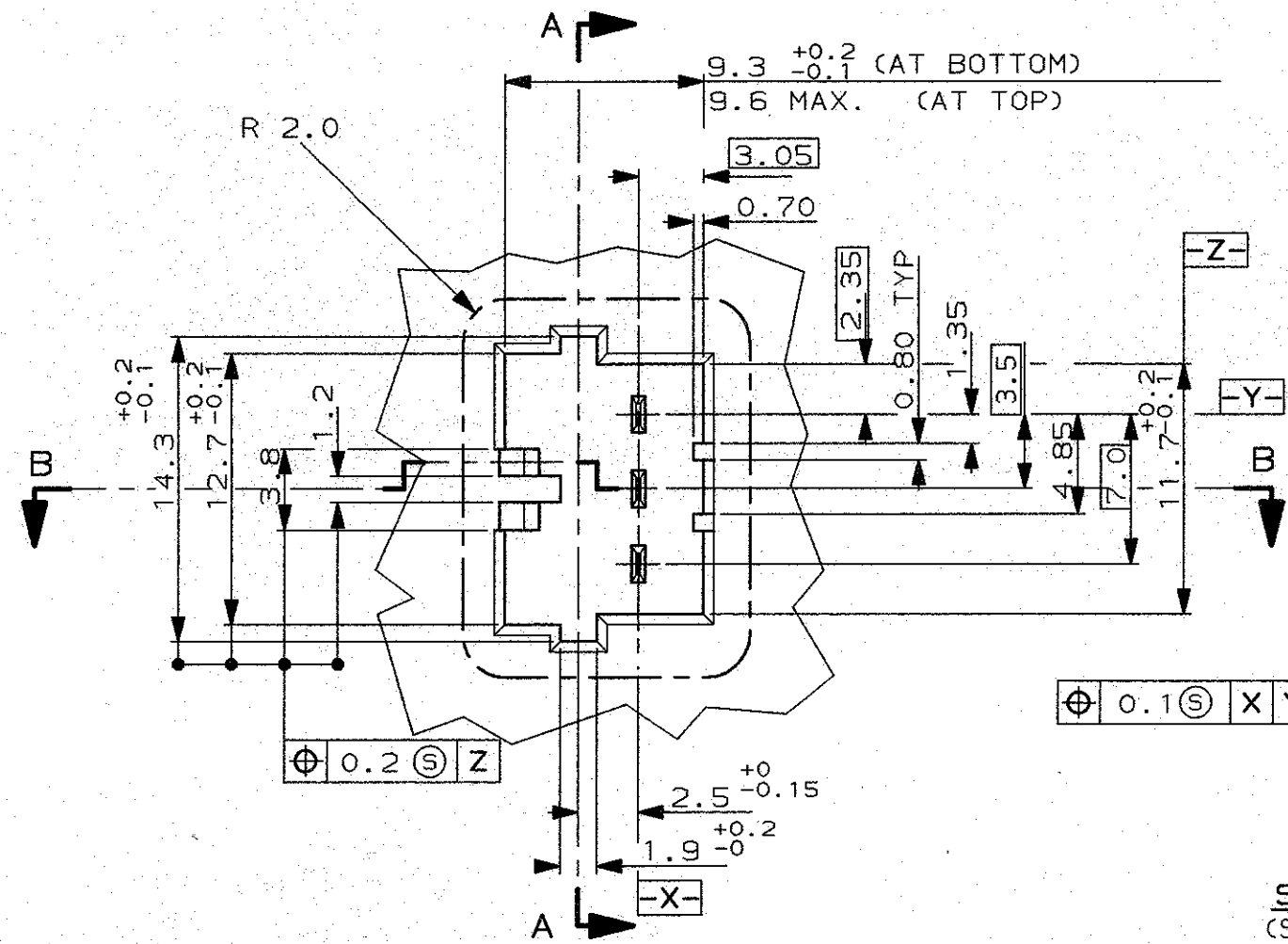


1) PER RAPPRESENTAZIONE DIMA CONTROPARTE VEDERE FOGLIO 2 DI 2
(FOR COUNTERPART DETAIL SEE SHEET 2 OF 2)

174928-1	BIANCO (WHITE)	PBT NAT. (PBT UNFILLED)	282627-1
PORTAMASCHI VOLANTE (CAP HOUSING)	FINITURA / COLORE (FINISH / COLOUR)	MATERIALE (MATERIAL)	NUMERO (PART NUMBER)

CUSTOMER DWG. FOR REFERENCE ONLY		DISEGNO PER CLIENTE SOLO PER RIFERIMENTO	
THIS DRAWING IS UNPUBLISHED		RELEASE FOR PUBLICATION 19	
© COPYRIGHT 19 BY AMP INCORPORATED, HARRISBURG, PA. ALL INTERNATIONAL RIGHT RESERVED. AMP PRODUCTS MAY BE COVERED BY U.S. AND FOREIGN PATENT AND/OR PATENT PENDING			
TOLLERANZE, SE NON DIVERSAMENTE SPECIFICATO (TOLERANCES, UNLESS OTHERWISE SPECIFIED)	DIAM. ISOLANTE (INS. DIA. RANGE)	RANGO FILO (WIRE RANGE)	SCALA (SCALE)
± 0.3	/	/	3:1
ANGOLI (ANGLES)	TE Connectivity		
B1 REVISED PER ECR-13-004824 M.G. 26 MAR 2013	DIS. 29 JUN '95 (DR.) M. PALMA		DESCRIZIONE (DESCRIPTION) 070 Sr. MULTILOCK* Conn.
B REVISED FOR ET00-0247-97 M.P. 17-8 97	CONT. 29 JUN '95 (CHK) C. TARTAR		PLUG HOUSING 3 POSITION SINGLE ROW.
A RELEASED FOR ET00-0355-96 M.P. 13-12 '95	LOC.	SIZE	NUMERO (DWG NO)
O PRIMA EMISSIONE M.P. 29-6 '95	I	A3	C-282627
REV. (REVISION RECORD)	DIS. DATA (DR) (DATE)	APP. (APP.)	REV. FOGLIO (SHEET)
			B1 1 DI (CF) 2

DISTRIBUZIONE
(PRINT DIST.)



- 1) SPIGOLI INTERNI R0.3 MAX SE NON DIVERSAMENTE INDICATO.
(UNLESS OTHERWISE SPECIFIED R. 0.3 MAX).
- 2) TAB: OTTONE TEMPRA 4, STAGNATO
(TAB: BRASS TEMPER 4, TIN PLATED)

FINITURA / COLORE (FINISH / COLOUR)		MATERIALE (MATERIAL)	NUMERO (PART NUMBER)
CUSTOMER DWG. FOR REFERENCE ONLY		DISEGNO PER CLIENTE SOLO PER RIFERIMENTO	
THIS DRAWING IS UNPUBLISHED		RELEASE FOR PUBLICATION	
© COPYRIGHT 19 BY AMP INCORPORATED, HARRISBURG, PA. ALL INTERNATIONAL RIGHT RESERVED. AMP PRODUCTS MAY BE COVERED BY U.S. AND FOREIGN PATENT AND/OR PATENT PENDING			
TOLLERANZE, SE NON DIVERSAMENTE SPECIFICATO (TOLERANCES, UNLESS OTHERWISE SPECIFIED) 0 DEC. PLACE ± 0.3 1 DEC. PLACE ± 0.1 2 DEC. PLACE ± 0.05		DIAM. ISOLANTE (INS. DIA. RANGE)	RANGO FILO (WIRE RANGE)
ANGOLI (ANGLES) 0° 30'		SCALA (SCALE) 3:1	
DIS. (DR.)		DESCRIZIONE (DESCRIPTION) 070 Sr. MULTILOCK* Conn.	
CONT. (CHK)		PLUG HOUSING 3 POSITION SINGLE ROW.	
APP. (APP.)		LOC. SIZE (DWG NO)	REV. FOGGIO (SHEET)
REV. REVISIONI (REVISION RECORD)		I A3 C - 282627 B1 2 OF 2	
DIS. DATA (DR) (DATE)			

DISTRIBUZIONE
(PRINT DIST.)