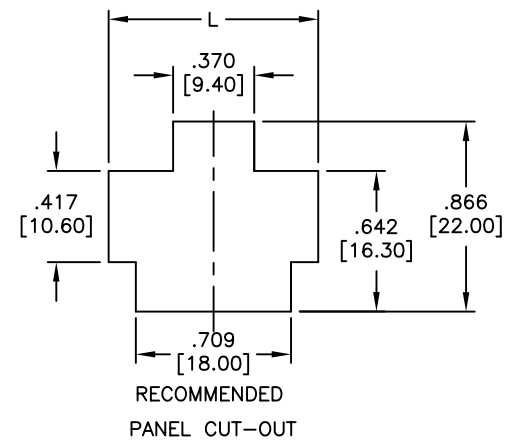
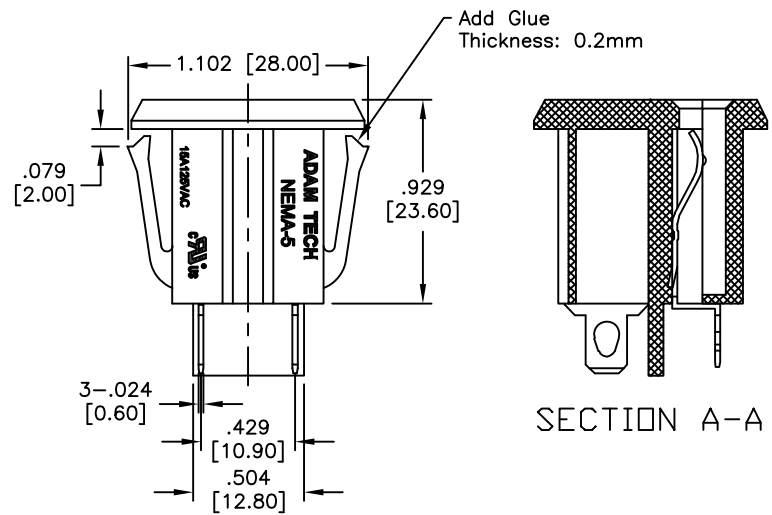
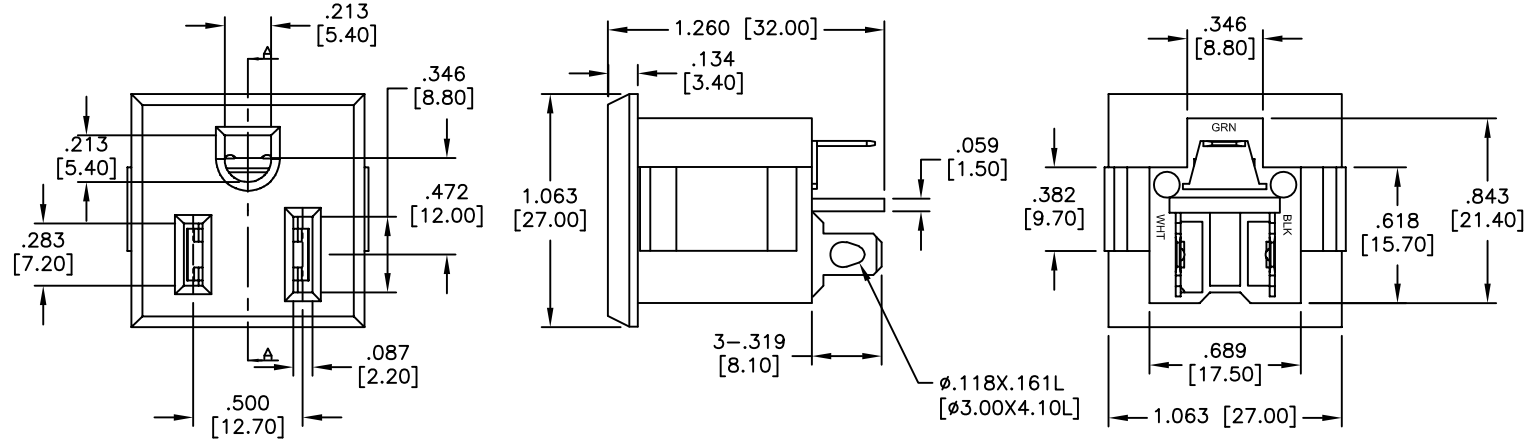


APPROVED: _____
 DATE: _____ TITLE: _____

Rev	AWO #	Description	Date	Appr
-		RELEASED	7/31/13	
A		ADDED & REVISED DIM.	8/19/13	
B		UPDATED DRAWING	8/30/16	HR/CH
C		UPDATED DIM.	8/17/18	AY/KC
D		UPDATED DESCRIPTION	8/24/18	AY/KC



PANEL THICKNESS	DIM " L "
.031 [0.80]	.945 [24.00]
.039 [1.00]	.969 [24.60]
.047 [1.20]	.992 [25.20]
.063 [1.60]	1.031 [26.20]

SPECIFICATIONS:
 Material:
 Insulator: Nylon66, rated UL 94V-0
 Insulator color: Black
 Contacts: Copper Alloy
 Plating:
 Tin over Copper underplate overall
 Electrical:
 Rating: 15A, 125V (C-ULus)
 Insulation resistance: 100 Mohms min @ 500 VDC
 Dielectric withstanding voltage: 3,000 VAC for 1 minute
 Environmental:
 Lead free, RoHS compliant



UNLESS OTHERWISE SPECIFIED ALL DIMENSIONS ARE INCHES [MM] TOLERANCES: EXCEPT AS NOTED			
INCHES		HOLES	
.X	± .10	Ø.X	± .10
.XX	± .020	Ø.XX	± .015
.XXX	± .015	Ø.XXX	± .010
APPROVALS		DATE	
DRAWN	AY	7/31/13	
CHECKED	LW	7/31/13	
APPROVED			

ADAM TECH INTERCONNECTS 909 Rahway Avenue, Union, NJ 07083
 Phone: 908-687-5000 Fax: 908-687-5710

TITLE: NEMA RECEPTACLE

SIZE X	PART NO. NEMA-5-1-B	REV. D
REF: S00087C	SCALE: NTS	SHEET 1 OF 1