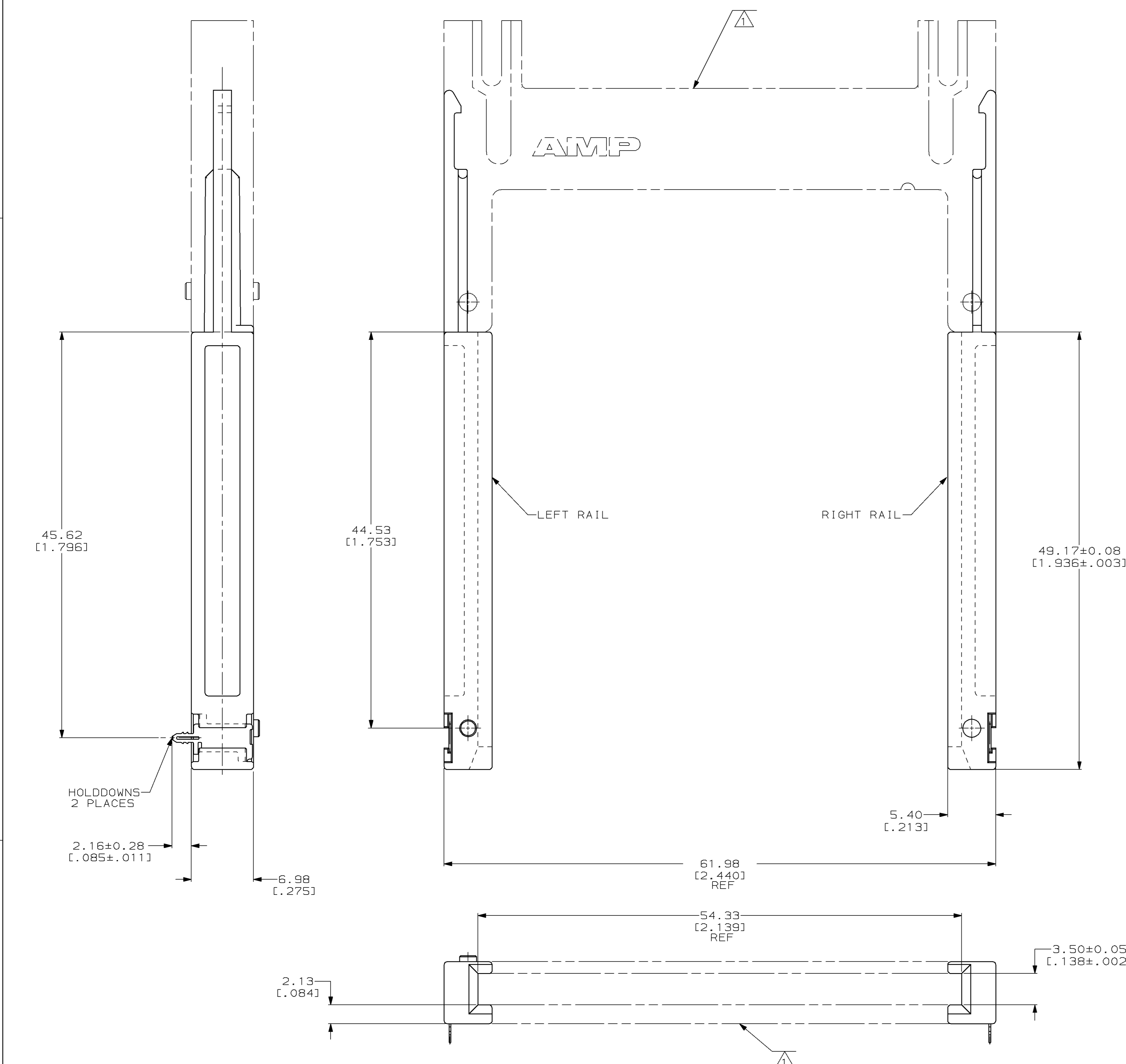
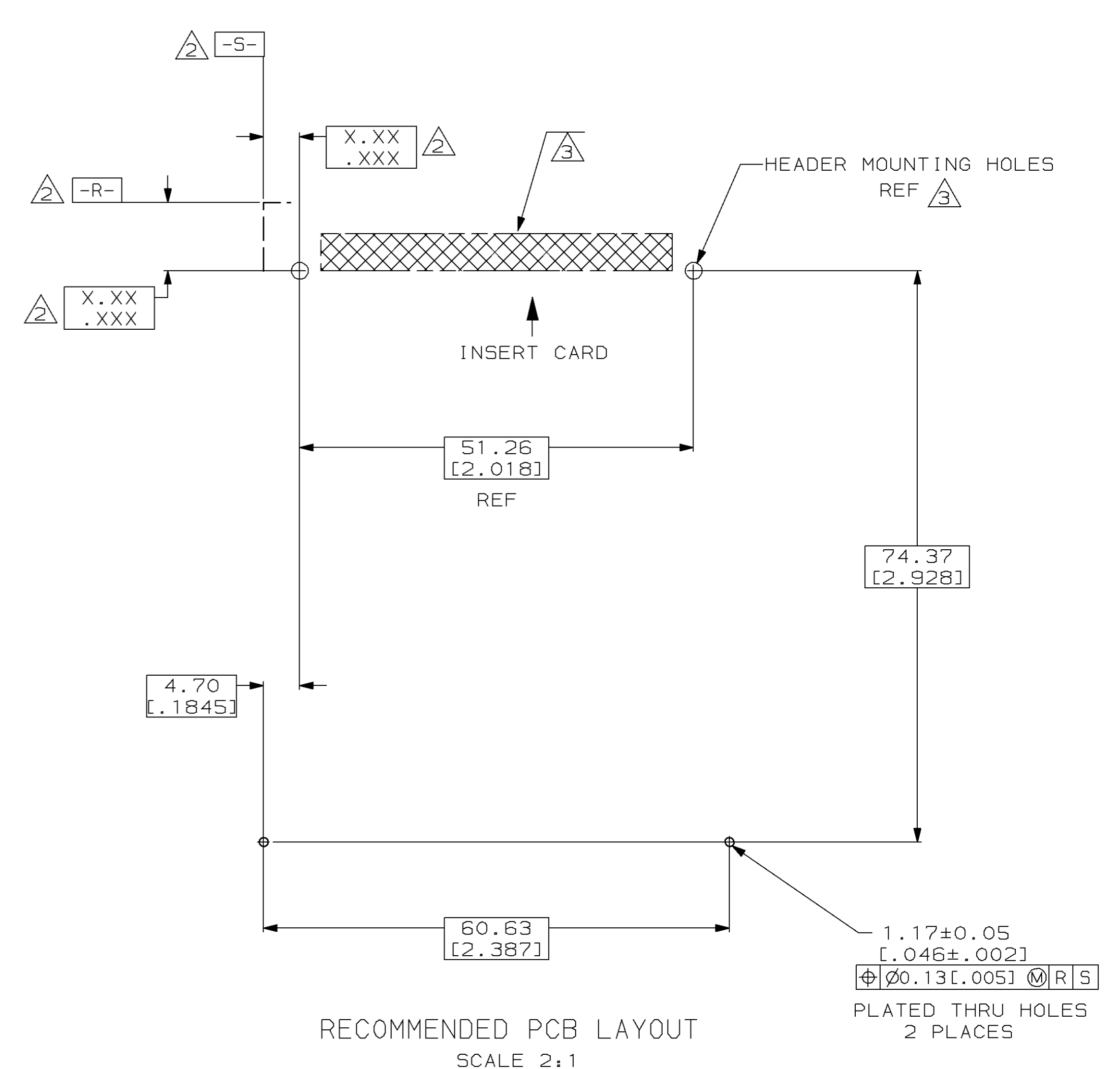


LOC		DIST		ZONE		LTR		REVISIONS			
AD	39	P	F					DESCRIPTION	DATE	APPD	
								0	RELEASED PER PPR	3/8/93	BE



- ⚠ SMT OR THRU-HOLE HEADER ASSY NOT SUPPLIED AND MUST BE ORDERED SEPERATELY. CONTACT AMP INCORPORATED FOR HEADER PART NUMBER
- ⚠ DATUMS AND BASIC DIMENSIONS ESTABLISHED BY CUSTOMER
- ⚠ FOR HEADER PC BOARD LAYOUT SEE APPROPRIATE HEADER ASSEMBLY



RECOMMENDED PCB LAYOUT
SCALE 2:1

DESCRIPTION	PART NO
RIGHT GUIDE RAIL WITH HOLDDOWN	535664-2
LEFT GUIDE RAIL WITH HOLDDOWN	535664-1

DO NOT SCALE PRINT. UNLESS SPECIFIED DIMENSIONS IN mm [INCHES]		DR 3/8/93 J MOSER		AMP Incorporated Harrisburg, PA 17105-3608	
TOLERANCES ON:		CHK 3/8/93 B ELICKER			
2 PLC DEC ± 0.13 [0.005]		APPD 3/8/93 B ELICKER		NAME GUIDE RAILS, EXTENDED, WITH THRU-HOLE HOLDDOWNS, AMP MEMORY CARD	
3 PLC DEC ± -		APPD 3/8/93 B FLINCHBAUGH			
ANGLES ± -		PRODUCT SPEC		SIZE D CAGE CODE 00779 DRAWING NO C-535664	
MATERIAL RAIL: LCP - COLOR: BLACK HOLD DOWNS: PHOSPHOR BRONZE		APPLICATION SPEC			
FINISH HOLD DOWNS: TIN		WEIGHT 2.1 GRAMS		SCALE 4:1 SHEET 1 OF 1	

THIS DRAWING IS A CONTROLLED DOCUMENT FOR AMP INCORPORATED. IT IS SUBJECT TO CHANGE AND THE CONTROLLING ENGINEERING ORGANIZATION SHOULD BE CONTACTED FOR THE LATEST REVISION.