



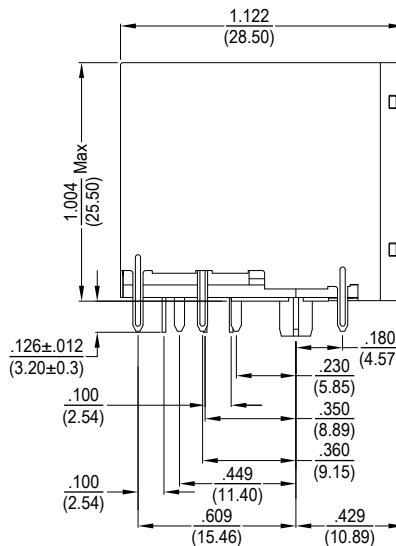
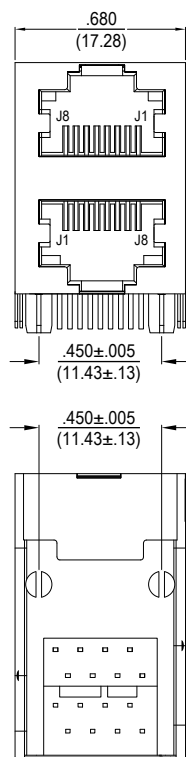
- Industrial Operating Temp: -40°C to +85°C
- Storage Temp: -40°C to +85°C

Electrical Specifications @ 25°C				
Voltage Rating (VAC)	Current Rating (Amp)	Contact Resistance (Max)	Insulation Resistance (Min)	Dielectric Voltage (Vrms / 60 Sec)
120	1.5 Max	20mΩ	500MΩ	1000

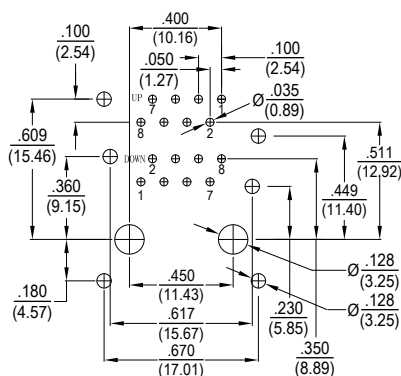
*All specifications subject to change without notice.

MECHANICAL

Dimensions: $\frac{\text{inch}}{\text{mm}}$



PCB LAYOUT



NOTES

Connector Materials:
 Housing: PBT Glass Filled UL94V-0
 Color: Black
 Spring Wire: 0.35mm Thick Phosphor Bronze
 Gold Plating Over Nickel