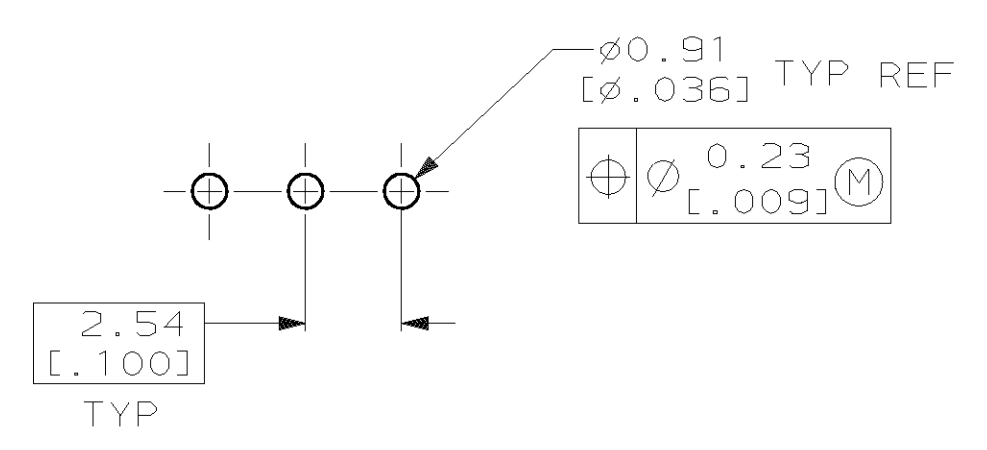
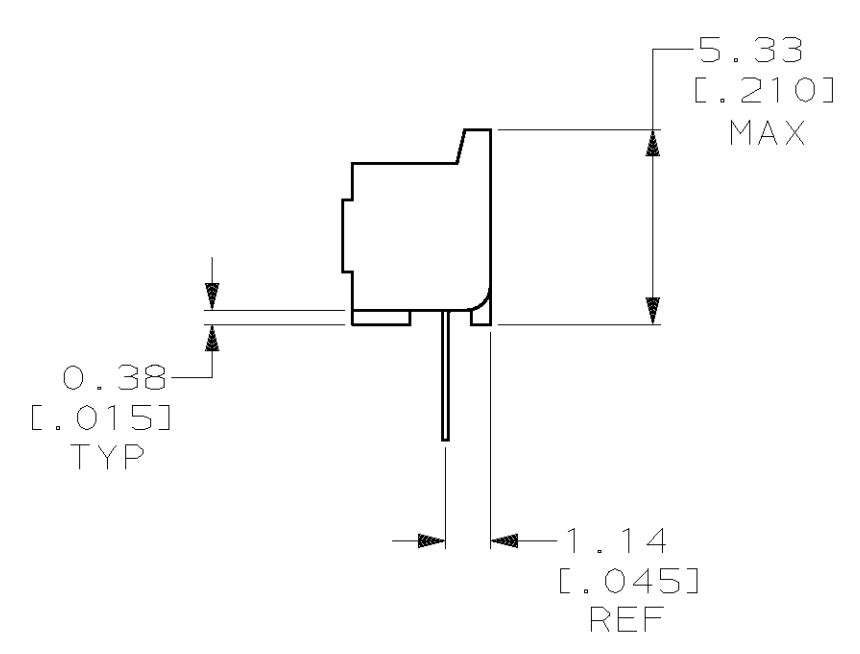
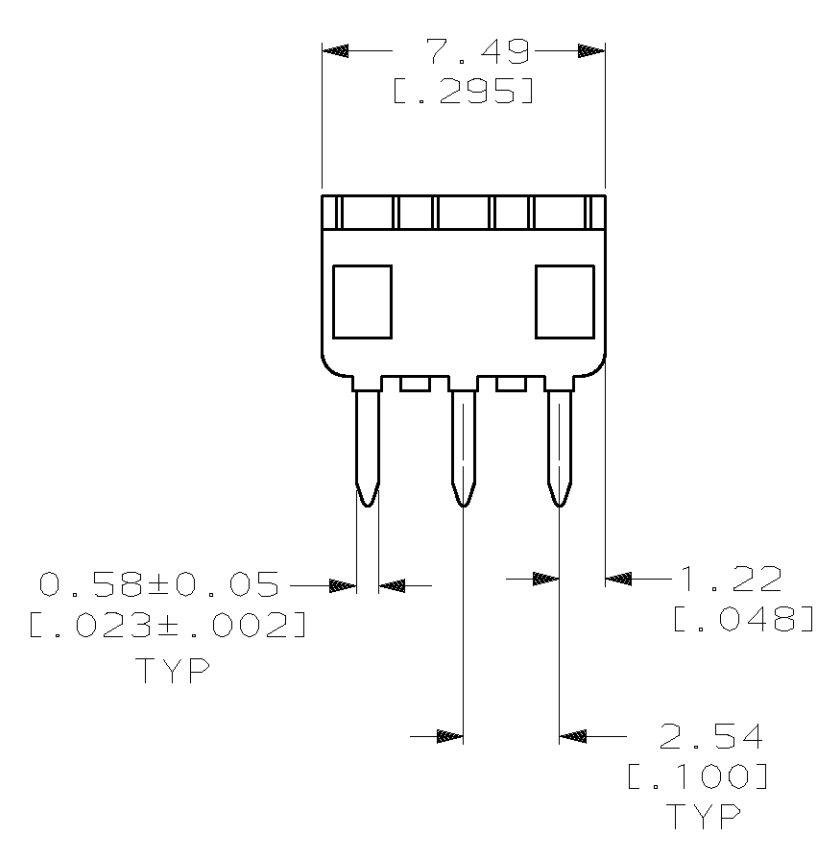
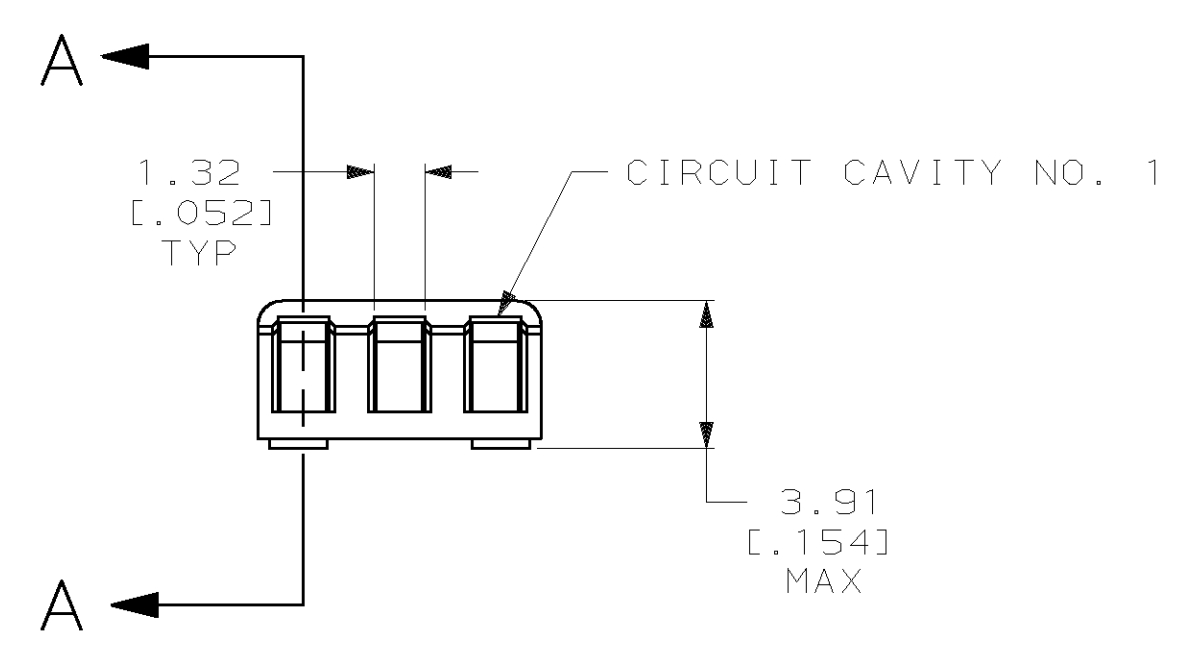
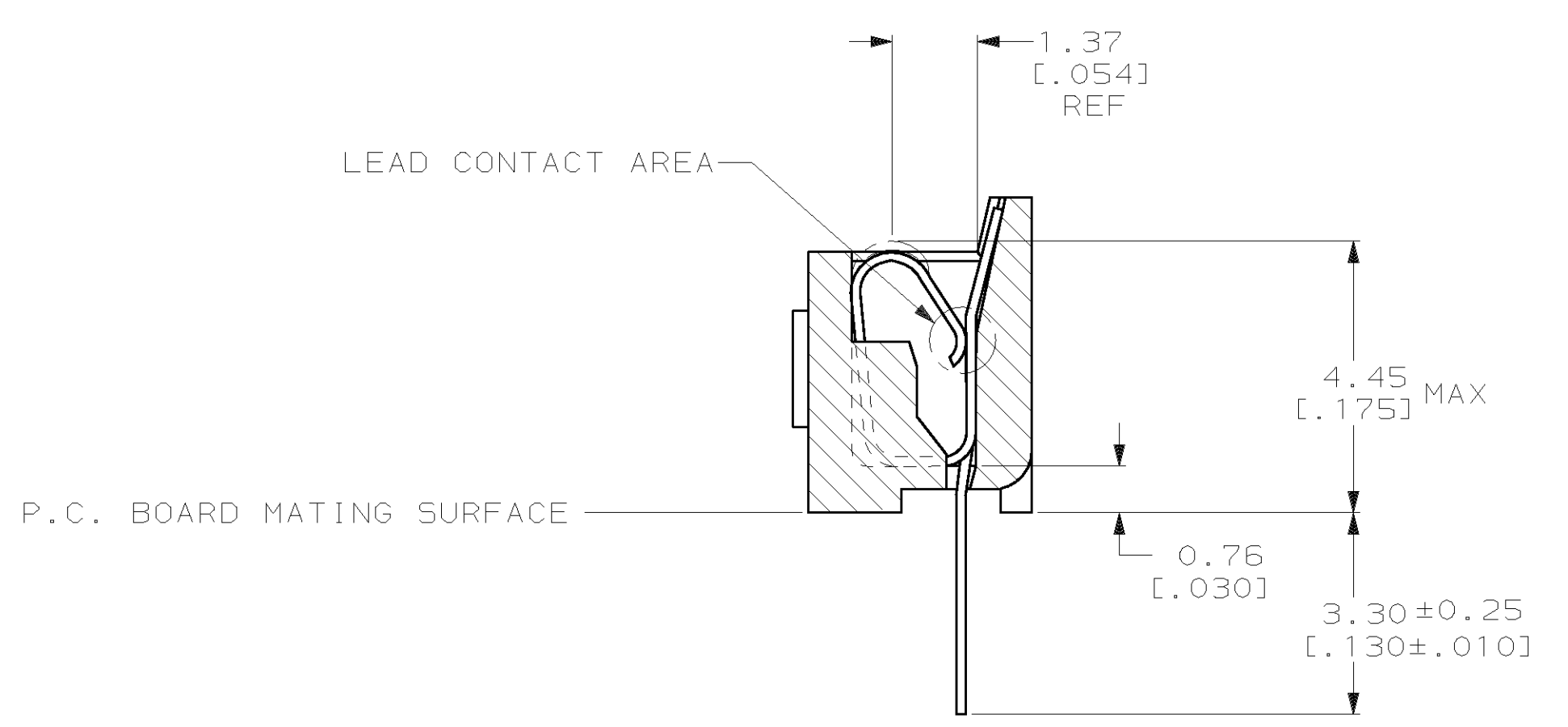


LOC	DIST	REV	PER	DATE	OWN	APVD
FT	64	D	REV PER	063C-0104-01	19JUL01	RB JO

- RECEPTACLE ACCEPTS AN 0.20-0.36 [ .008-.014 ] THK I.C. LEAD.
- TWO 0.00076 [ .000030 ] MIN THK GOLD STRIPES IN CONTACT AREA, TIN-LEAD ON CONTACT LEGS, BALANCE OF CONTACT NICKEL PLATED.



RECOMMENDED MOUNTING HOLE PATTERN



SECTION A-A  
 ROTATED 90° CW  
 SCALE 10:1

OBSOLETE	TINNED	PHOS.BRZ.	GLASS-FILLED THERMOPLASTIC, 94V-0, BLACK	382437-3
	TINNED	BE.CU.	GLASS-FILLED THERMOPLASTIC, 94V-0, BLACK	382437-2
	TINNED	BE.CU.	GLASS-FILLED THERMOPLASTIC, 94V-0, BLACK	382437-1
	CONTACT FINISH	CONTACT MAT'L	HOUSING MATERIAL	PART NO.

THIS DRAWING IS A CONTROLLED DOCUMENT.

DIMENSIONS: mm (INCHES)	TOLERANCES UNLESS OTHERWISE SPECIFIED:	DWN: K. SALMON 16 JAN 90	AMP Incorporated Harrisburg, PA 17105-3608
0 PLC ±-	1 PLC ±-	CHK: R. MILLER 16 JAN 90	NAME: SOCKET ASSY, SIP, 3 POS, DIPLOMATE DL
2 PLC ±0.13 [ .005 ]	3 PLC ±-	APVD: R. PRIDDY 25 JAN 90	PRODUCT SPEC: 108-1066
4 PLC ±-	ANGLES ±-		APPLICATION SPEC: 114-1049
MATERIAL: SEE TABLE	FINISH: SEE TABLE	WEIGHT: -	SIZE: A1 00779 C-382437
		CUSTOMER DRAWING	SCALE: 5:1 SHEET: 1 OF 1 REV: 0