

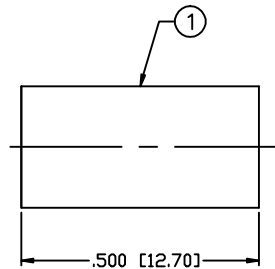
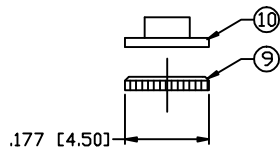
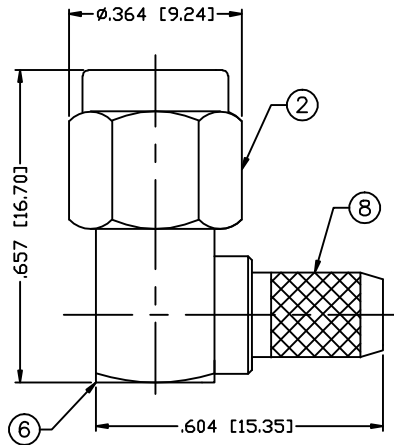
THIS DRAWING CONTAINS INFORMATION PROPRIETARY TO RF INDUSTRIES,  
 ANY UNAUTHORIZED USE OF THIS DRAWING IS EXPRESSLY PROHIBITED  
 WITHOUT WRITTEN PERMISSION FROM RF INDUSTRIES.  
 ANY VIOLATION IS PUNISHABLE UNDER U.S. COPYRIGHT LAWS.

ALL DIMENSIONS ARE REFERENCE ONLY

PART NO.

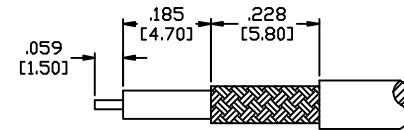
**RP-3010-1C1**

REV	DESCRIPTION	DWN	DATE	APPROVED
-	ENGINEERING RELEASE	GGG	4/13/00	JDMc
A	CHANGE TO PRESS FIT AND ADDED INSULATOR CAP	JDM	3/8/16	JDMc



RECOMMENDED CRIMP DIE: .213"

CRIMP TOOL RFA-4005-20 / DIE RFA-4005-01



RECOMMENDED STRIPPING DIMENSIONS  
 ATTACH CABLE TO CONNECTOR BY  
 SOLDERING THE CABLE INNER CONDUCTOR  
 TO THE PIN SLOT INSIDE THE CONNECTOR

**SPECIFICATIONS:**

IMPEDANCE: 50 Ohms  
 FREQUENCY RANGE: 0-12.4 GHz  
 WORKING VOLTAGE: 500 V rms Max. @ Sea Level  
 INSULATION RESISTANCE: 5k M Ohms min.  
 TEMPERATURE RANGE: -65°C TO 85°C  
 FOR RG-55, 55A, 55B, 142, 142A, 142B, 223/U & 400/U,  
 ALPHA 9055, 9055B, 9223, BELDEN 8219, 83242, 84142, & 9907

1	FERRULE	1	BRASS	GOLD, 3μ"
2	SHELL	1	BRASS	GOLD, 3μ"
3	INSULATOR	1	PTFE	----
4	GASKET	1	SILICONE	----
5	WASHER	1	SST	----
6	BODY	1	BRASS	GOLD, 3μ"
7	PIN	1	Be-Cu	GOLD, 50μ"
8	FERRULE STUD	1	BRASS	GOLD, 3μ"
9	PRESS FIT CAP	1	BRASS	GOLD, 3μ"
10	INSULATOR	1	PTFE	NATURAL
11				
12				
13				
14				

007777	
DRAWN	3/8/16
JDM	
CHECKED	
ORJ DRAWN	4/5/02
G. GALLEGOS	
APPROVALS	DATE

UNLESS OTHERWISE SPECIFIED:  
 1. REMOVE ALL BURRS  
 2. BREAK ALL CORNERS & EDGES .005 R. MAX.  
 3. CHAMFER 1ST & LAST THREADS 45°  
 4. SURFACE ROUGHNESS 63 FINISH MIL-STD-10  
 5. DIAMETERS ON COMMON CENTERS TO BE CONCENTRIC WITHIN .002 T.I.R.  
 6. ALL DIMENSIONS ARE AFTER PLATING.

DIMENSIONS ARE IN INCHES AND [MILLIMETERS]  
 UNLESS OTHERWISE NOTED TOLERANCES ARE:  
 DECIMALS .XXX±.003 [.08]  
 .XX±.005 [.13]  
 DIAMETER .XXX±.001 [.03]  
 .XX±.003 [.08]

**RFconnectors**  
 DIVISION OF RF INDUSTRIES, LTD.

7610 MIRAMAR RD  
 SAN DIEGO, CA 92126  
 (858) 549-6340  
 (858) 549-6345 FAX

**SMA PLUG, CRIMP**

REVERSE POLARITY, RIGHT ANGLE

SIZE	CABLE GROUP	DWG NO.	REV
A	C1	RP-3010-1C1	A
SCALE:	NTS	CAD FILE	OUTLINE
SHEET		1 OF 1	