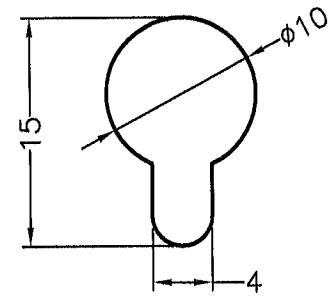
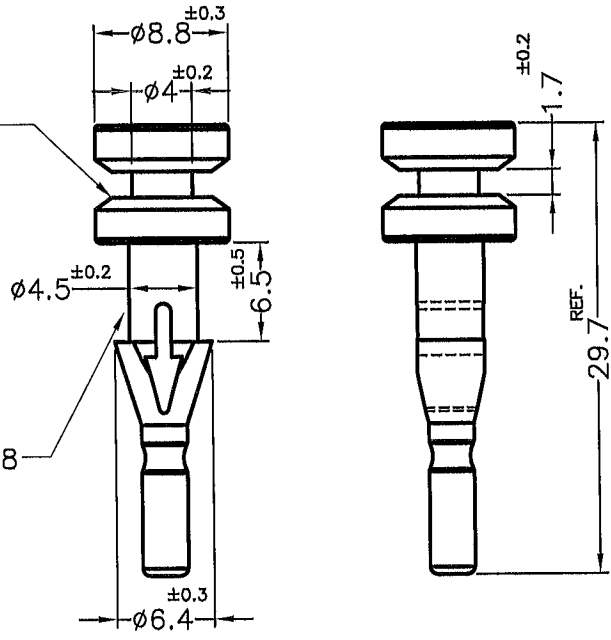


REVISIONS			
REV	DESCRIPTION	DATE	BY



CHASSIS MOUNTING  
CHASSIS THICKNESS 1.6

FAN MOUNTING  $\phi 4.5$  THICKNESS 6.8



PART NO.	HARDNESS
BUB-126G(B)	45°±10°
BUB-126H	55°±10°

- NOTE: 1. SHRINKING IS NORMAL STATUS.  
 內縮屬正常現象。  
 2. MADE OF EQUIVALENT MATERIAL.  
 均可使用同等材質。  
 3. ALL MEASUREMENT DOES NOT INCLUDE GATE WHICH RAISES UNDER 1.2mm.  
 所有尺寸量測皆不含進膠口，膠口凸出1.2mm之內。

<p>康揚企業股份有限公司 KANG YANG HARDWARE ENTERPRISE CO., LTD. 康揚塑膠(東莞)有限公司 KANG YANG PLASTIC(DONG GUAN) CO., LTD. 康哲電腦配件(吳江)有限公司 KANG CHE COMPUTER COMPONENTS(WUJIANG) CO., LTD.</p>	TITLE		FAN SNAP RIVET		SPEC. DWG.		
	MATERIAL		TPE		DATE		2011.05.16
	HARDNESS		SEE ABOVE		DRAWN		SAI
	COLOR		BLACK		CHECK		
PART NUMBER		DRAWING NUMBER		UNLESS OTHERWISE SPECIFIED TOLERANCE		APPROVED	
SEE ABOVE		BUB-126		SEE ABOVE			
SIZE	SCALE	UNIT	REV				
A4	2:1	mm	B				