

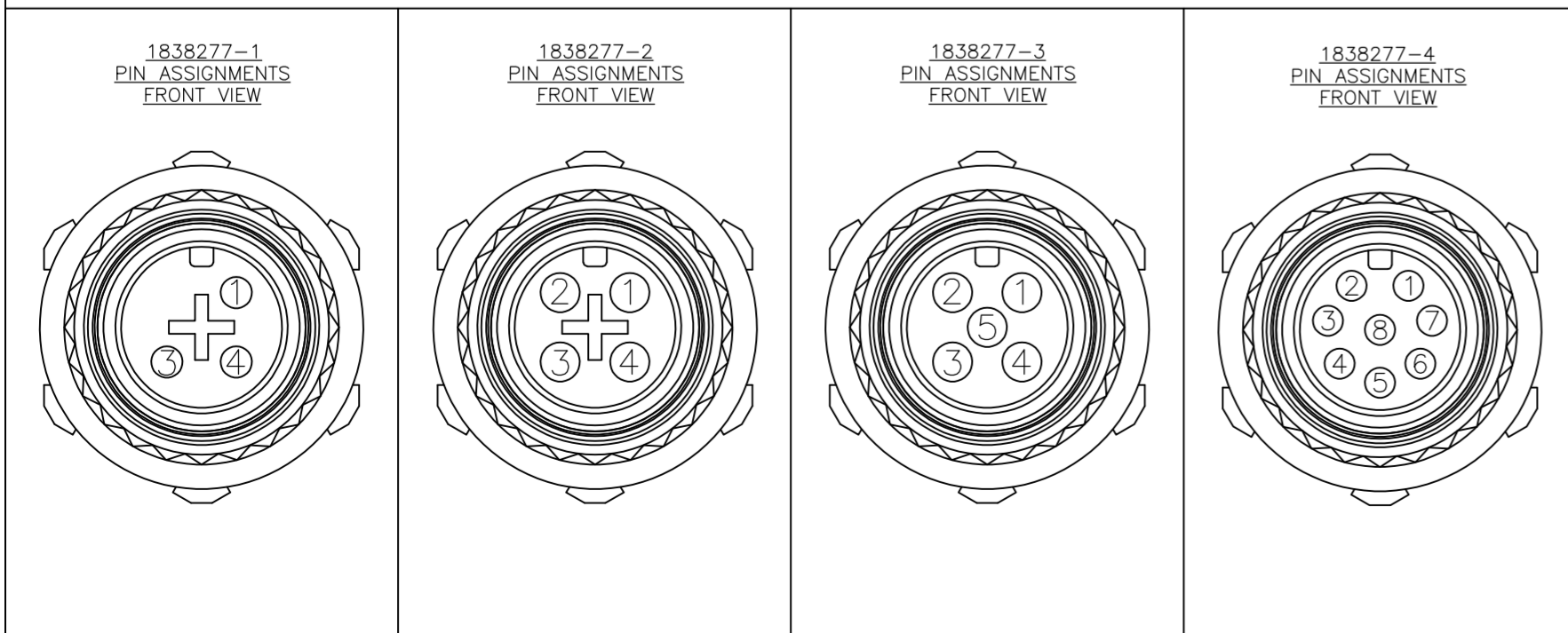
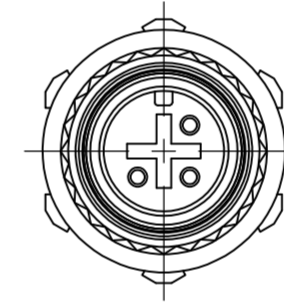
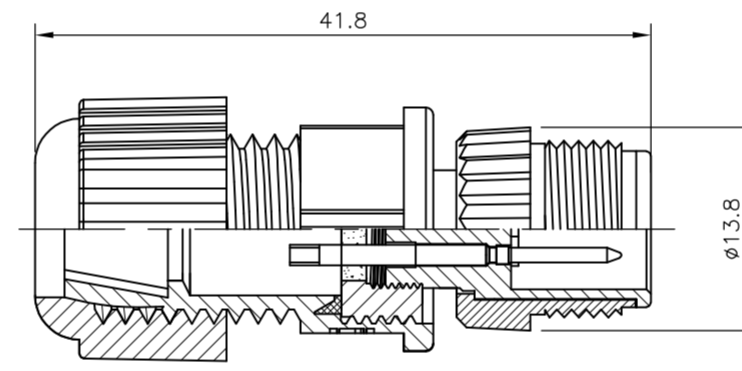
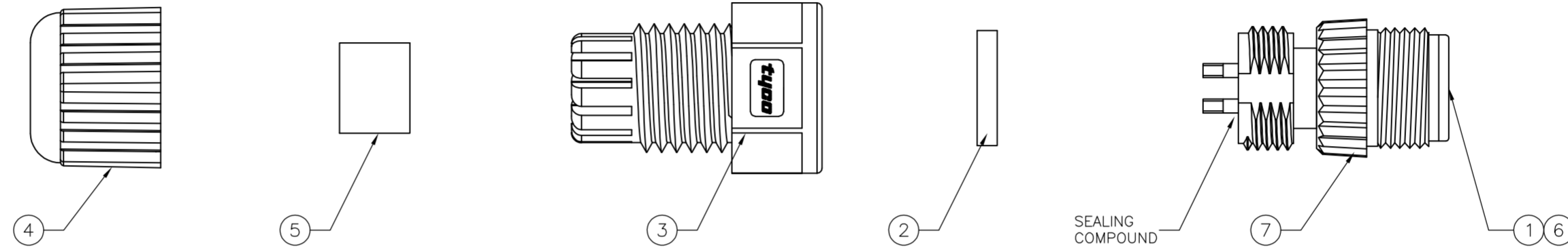
THIS DRAWING IS UNPUBLISHED. RELEASED FOR PUBLICATION  
 © COPYRIGHT - By - ALL RIGHTS RESERVED.

REVISIONS					
P	LTR	DESCRIPTION	DATE	OWN	APVD
	A2	KEYING POSITION CORRECTED IN ZONE A4 & A3	27FEB2017	TJ	NG

NOTES:

- ELECTRICAL DATA: CONTACT RESISTANCE: 10 mOhm MAX  
 INSULATION RESISTANCE: 100 MOhm MIN at 500VDC  
 CURRENT RATING: 5 AMPS (FOR 3, 4 AND 5 POSITIONS) AND 2 AMPS (FOR 8 POSITIONS)  
 BREAKDOWN VOLTAGE: 500 VAC MIN PER MINUTE
- ENVIRONMENTAL: OPERATING TEMPERATURE: -25°C TO +90°C  
 SEALING REQUIREMENTS: IP67
- PACKAGING: 107-3334
- SEAL FOR CABLE OD:  $\phi$ 4.5mm -  $\phi$ 6.5mm
- FOR TECHNICAL DATA REFER TO YOUR LOCAL TE CONNECTIVITY SALES OFFICE.
- ALL DIMENSIONS ARE FOR NOMINAL REFERENCE ONLY UNLESS OTHERWISE STATED.

ITEM	DESCRIPTION	MATERIAL	FINISH/COLOR	QUANTITY / ITEM		
				-1	-2	-3
1	CONNECTOR HOUSING	GF NYLON	BLACK	1	1	1
2	GASKET	SILICONE	BLACK	1	1	1
3	CONNECTOR BODY	GF NYLON	BLACK	1	1	1
4	SEALING NUT	GF NYLON	BLACK	1	1	1
5	SEAL	EPDM	BLACK	1	1	1
6	PIN CONTACT	BRASS	0.15 $\mu$ m GOLD OVER NICKEL	3	4	5
7	SCREW NUT	GF NYLON	BLACK	1	1	1



DESCRIPTION	NO. OF POS	PART NUMBER
M12 PLASTIC FIELD SERVICEABLE CONNECTOR, MALE PIN, SOLDER TYPE	8	1838277-4
M12 PLASTIC FIELD SERVICEABLE CONNECTOR, MALE PIN, SOLDER TYPE	5	1838277-3
M12 PLASTIC FIELD SERVICEABLE CONNECTOR, MALE PIN, SOLDER TYPE	4	1838277-2
M12 PLASTIC FIELD SERVICEABLE CONNECTOR, MALE PIN, SOLDER TYPE	3	1838277-1

THIS DRAWING IS A CONTROLLED DOCUMENT.		DWN A.Morey 14MAR06	TE Connectivity	
DIMENSIONS: mm		CHK F.Wheeler-King 12APR06	NAME M12 PLASTIC FIELD SERVICEABLE CONNECTOR, MALE PIN, SOLDER TYPE	
		APVD F.Wheeler-King 12APR06	SIZE A2	
MATERIAL REFER BOM TABLE		FINISH REFER BOM TABLE	WEIGHT 0	CAGE CODE 00779
		APVD F.Wheeler-King 12APR06	DRAWING NO 1838277	RESTRICTED TO -
		APPLICATION SPEC -	SCALE NTS	SHEET 1 OF 1
		PRODUCT SPEC -	REV A2	
		WEIGHT 0	CUSTOMER DRAWING	