

4

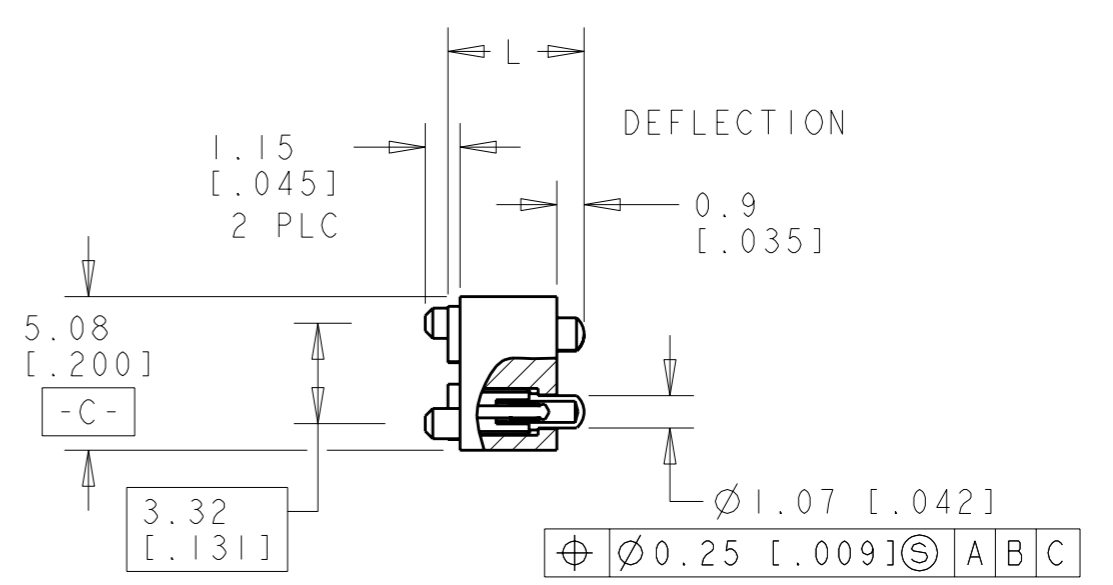
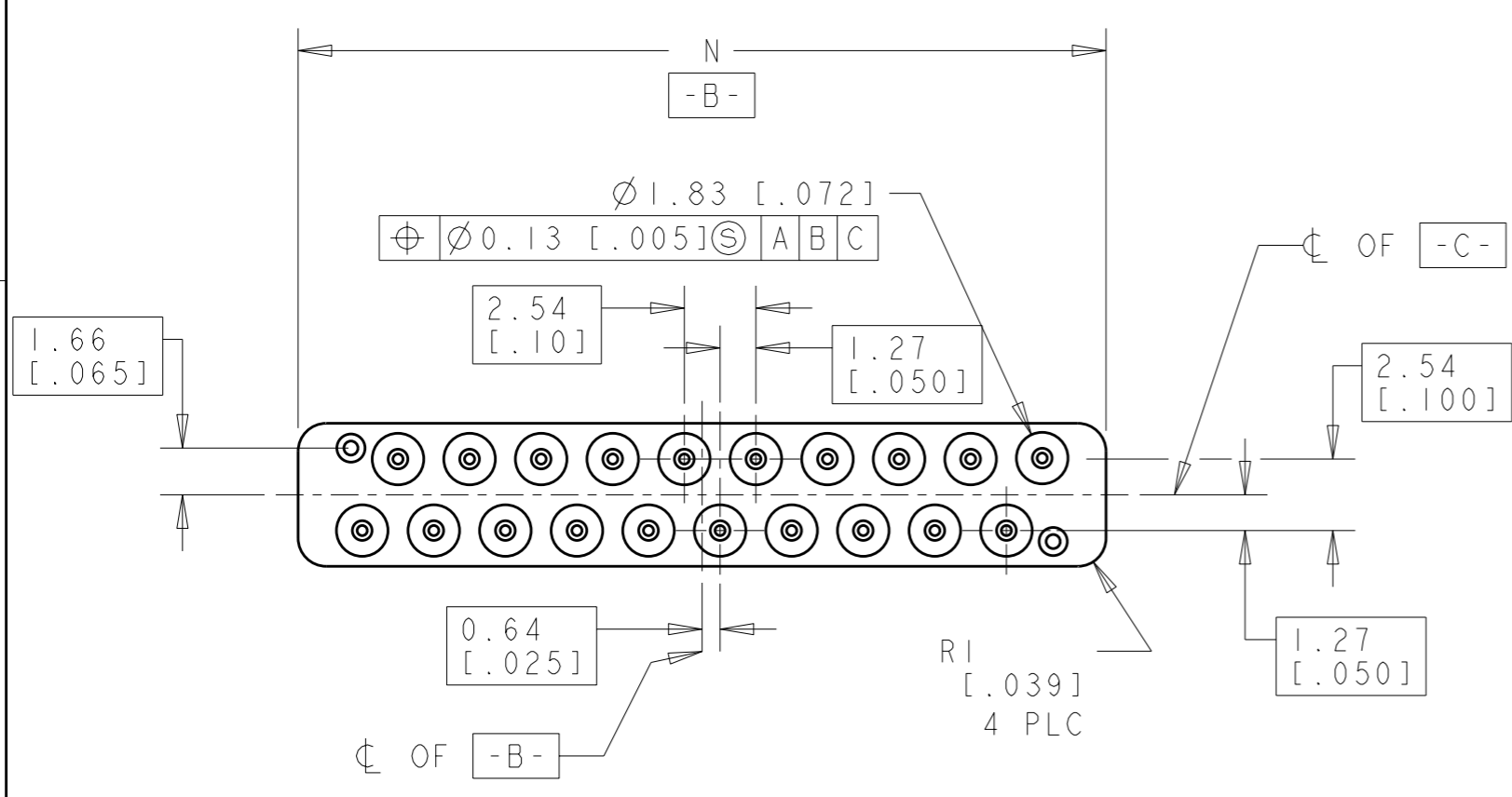
3

2

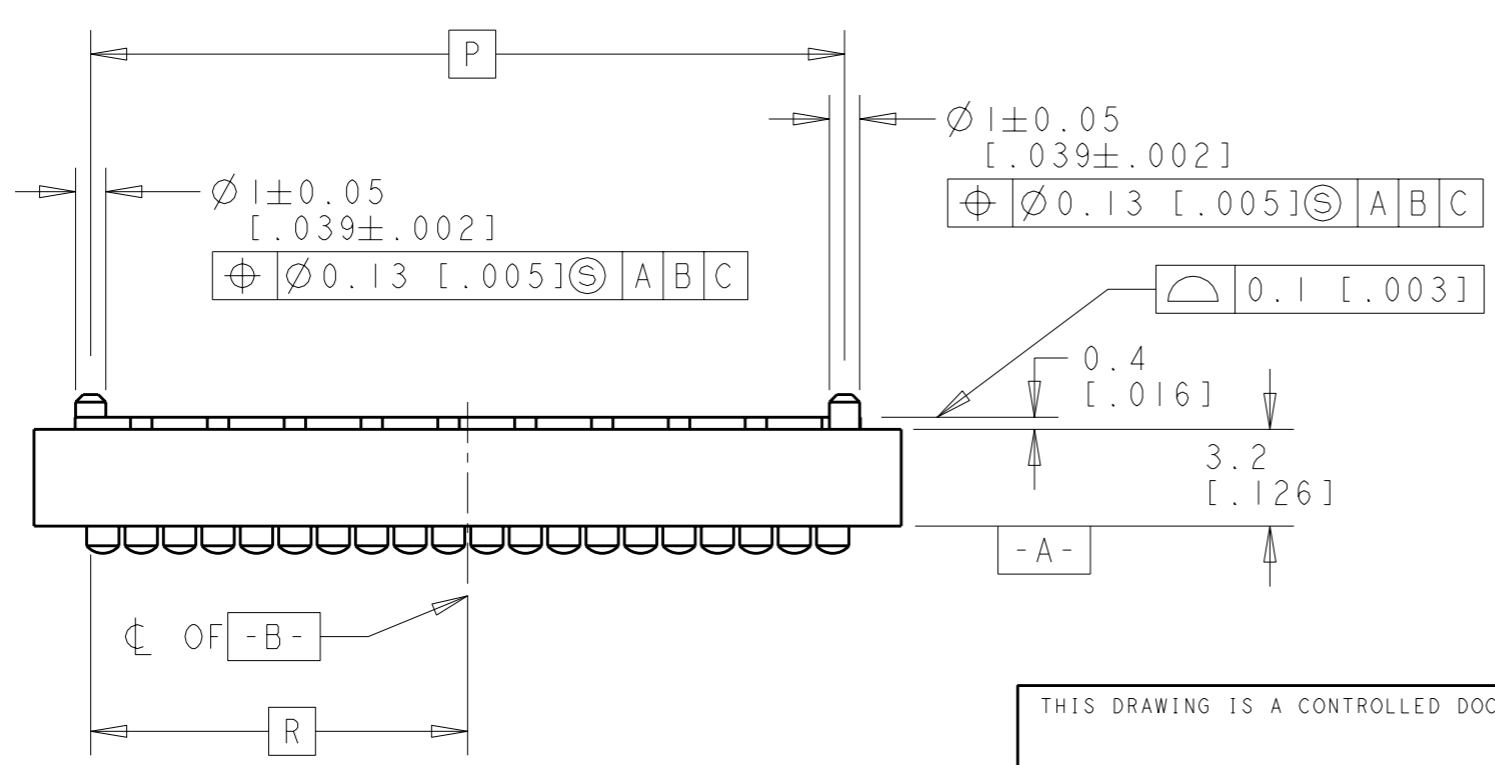
1

THIS DRAWING IS UNPUBLISHED. RELEASED FOR PUBLICATION  
 © COPYRIGHT 19 ALL RIGHTS RESERVED.

LOC	DIST	REVISIONS				
P	LTR	DESCRIPTION	DATE	DWN	APVD	
AD	00	A1	REVISED PER ECO-11-005294	14APR2011	RK	HMR




DEFLECTION STATE	L ± 0.1	NORMAL FORCE
MINIMUM	4.3	0.44 ± 0.15N
NOMINAL	4.02	0.64 ± 0.15N
MAXIMUM	3.70	0.88 ± 0.15N



PART NUMBER	POSN	N	P	R
1825437-1	12	18.51	14.76	7.38
1825437-2	16	23.59	19.84	9.92

THIS DRAWING IS A CONTROLLED DOCUMENT.

DWN	R BROWN	13JUN2007	 TE Connectivity
CHK	M MILLER	13JUN2007	
APVD	M MILLER	13JUN2007	
PRODUCT SPEC			NAME
APPLICATION SPEC			LOW PROFILE PROBE CONNECTOR SPRING CONTACT, SURFACE MOUNT
WEIGHT			SIZE
CUSTOMER DRAWING			CAGE CODE
			DRAWING NO
			RESTRICTED TO
			A300779
			1825437
			SCALE
			SHEET
			OF
			2
			REV
			A1

THIS DRAWING IS UNPUBLISHED.

RELEASED FOR PUBLICATION

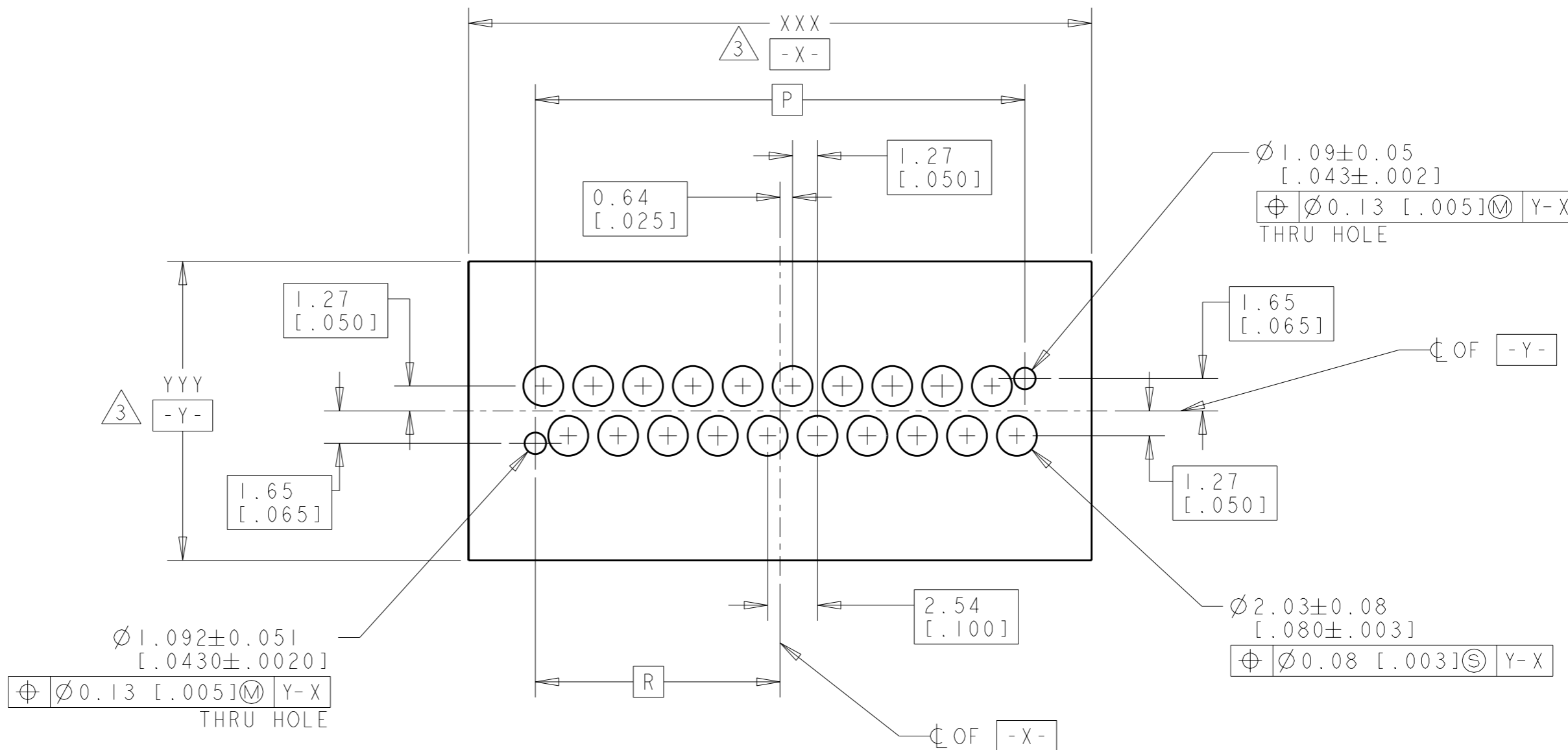
© COPYRIGHT 19

ALL RIGHTS RESERVED.

LOC AD DIST 00

REVISIONS

P	LTR	DESCRIPTION	DATE	DWN	APVD
-	-	SEE SHEET 1	-	-	-



1 MATERIAL:  
 HOUSING - HIGH TEMPERATURE THERMOPLASTIC,  
 30% GLASS FILLED,  
 FLAME RETARDED UL 94 V-0,  
 COLOR: BLACK.  
 CONTACTS - SCREW MACHINED BRASS.


2 FINISH:  
 CONTACT PISTON AND CONTACT BODY -  
 0.0005 [0.00020] MIN GOLD OVER 0.0025 [0.000100] NICKEL.  
 SPRING - FLASH 0.0001 [0.000004] GOLD.

3 DIMENSIONS ESTABLISHED BY CUSTOMER.

4 PRELIMINARY PART - NOT RELEASED FOR PRODUCTION.

5 PART PACKAGED ON TAPE/REEL.

RECOMMENDED PC BOARD LAYOUT

THIS DRAWING IS A CONTROLLED DOCUMENT.		DWN R BROWN 13JUN2007	 TE Connectivity													
DIMENSIONS: mm [INCHES]		CHK M MILLER 13JUN2007														
TOLERANCES UNLESS OTHERWISE SPECIFIED:		APVD M MILLER 13JUN2007														
<table border="1"> <tr><td>0 PLC</td><td>±0.13</td></tr> <tr><td>1 PLC</td><td>±0.13</td></tr> <tr><td>2 PLC</td><td>±0.13</td></tr> <tr><td>3 PLC</td><td>±0.13</td></tr> <tr><td>4 PLC</td><td>±0.13</td></tr> <tr><td>ANGLES</td><td>±</td></tr> </table>		0 PLC	±0.13	1 PLC	±0.13	2 PLC	±0.13	3 PLC	±0.13	4 PLC	±0.13	ANGLES	±	PRODUCT SPEC	NAME LOW PROFILE PROBE CONNECTOR SPRING CONTACT, SURFACE MOUNT	
0 PLC	±0.13															
1 PLC	±0.13															
2 PLC	±0.13															
3 PLC	±0.13															
4 PLC	±0.13															
ANGLES	±															
MATERIAL - FINISH -		APPLICATION SPEC -	SIZE A3	CAGE CODE 00779	DRAWING NO C-1825437	RESTRICTED TO -										
CUSTOMER DRAWING			SCALE	SHEET 2 OF 2	REV A1											