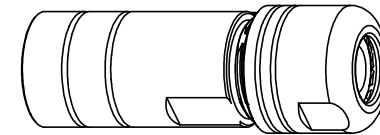
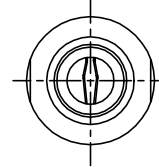
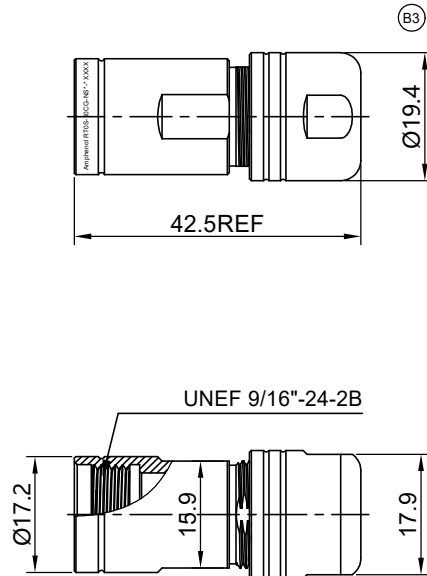


REVISIONS					
REV	ECO	DESCRIPTION	DATE	BY	APPR
B1	-	RELEASED DRAWING	NOV-01-2017	FLAN	TOMMY
B2	-	MODIFICATON OF PART NUMBER	JAN-26-2018	FLAN	TOMMY
B3	-	Update the dimension	JUN-29-2021	Flan	Tommy



P/N	CABLE O.D.
RT0S-10CG-NS1-*	Ø3.0-Ø5.0mm
RT0S-10CG-NS2-*	Ø5.0-Ø8.5mm

NOTES: (UNLESS OTHERWISE SPECIFIED)

- MATERIAL:
 - NUT: ZINC ALLOY.
 - BACK SHELL: ZINC ALLOY.
 - O-RING: SILICONE RUBBER.
 - CABLE SEAL: EPDM.
 - EMI SHIELDING RING: STAINLESS STEEL.
 - CLAMP INSERT: THERMOPLASTIC UL94 V-0.
- RoHS COMPLIANT.
- ALL DIMENSIONS ARE FOR REFERENCE USE ONLY.
- SHELL FINISHED:

P/N	" * "	SHELL FINISHED
RT0S-10CG-NS*-*	OMIT	PLATED NICKLE
	Z	BLACK ZINC
	G	GREEN ZINC

QUANTITY	PART NUMBER	DESCRIPTION	ITEM
MATERIALS LIST			
UNLESS OTHERWISE SPECIFIED 1) All dimensions are in metric(mm). 2) Tolerances are as follows: 1 PL DEC ±0.30 2 PL DEC ±0.15 3 PL DEC ±0.08 3) Note reference =		SIGNATURES DATE DRAWN: Flan JUN-29-2021 CHECKED: Orion JUN-30-2021 ENGINEER: APPROVAL: Tommy JUN-30-2021 CUSTOMER:	Amphenol Sine Systems - www.amphenol-sine.com 44724 Morley Drive Clinton Township, MI 48036
MATERIAL SPECIFICATIONS: PROCESS SPECIFICATIONS: NEXT ASSY:		THIS DRAWING IS SUPPLIED FOR INFORMATION ONLY. DESIGN FEATURES, SPECIFICATIONS AND PERFORMANCE DATA SHOWN HEREON ARE THE PROPERTY OF THE AMPHENOL CORPORATION. NO RIGHTS OF REPRODUCTION ARE IMPLIED. ALL DIMENSIONS ARE SUBJECT TO NORMAL MANUFACTURING VARIATIONS.	EcoMate RM CORD GRIP, SIZE 10. SIZE TYPE DWG NO: B C- RT0S-10CG-NS*-* B3 SCALE: NONE SHEET 1 OF 1

TITLE: EcoMate RM CORD GRIP SIZE 10
 DWG NO: RT0S-10CG-NS*-*
 REV: B3
 SH: 1
 OF: 1