

JBL745-2 Series

Universal Input, 26–32 Watt Output

Sealed Lead Acid Fast Chargers



2 Year Warranty

- 100-240VAC Universal Input
- Optimizes Battery Life
- 6V to 24V Output Models, up to 32W
- Tri-color LED Indicator
- Modified and Custom Designs Available
- Impact-Resistant Polycarbonate Enclosure
- Meets safety agency requirements



International Safety Standard Approvals



Specifications

All Specifications are typical at nominal input, full load at 25°C unless otherwise stated.

AC Input 100-240VAC, +/-10%, 47-63 Hz, 1Ø.	Topology Switching – Battery Charger
Input Current 1.0A maximum, at 110Vac	Overload Protection Hiccup Mode
Inrush Current Inrush limiting provided.	Short Circuit Protection Hiccup Mode
Input Fuse Internal Primary Current Fuse is provided.	Approvals and Safety Standards EN/IEC/CSA/UL60950-1, EMC: EN55022/55024/61000
Output Voltage See chart.	Dielectric Withstand Input-Output: 4242VDC, Input-GND: 1500VAC, Output-GND: 500VDC
Output Power See chart	Operating Temperature 0° to 40°C, no derating
Minimum Load Not required.	Storage Temperature -30 to +85°C.
Battery Type: Lead Acid 6V/12V/24V	Relative Humidity 5% to 95%, non-condensing
Charging Method: Constant current and constant voltage.	Altitude 0 to 10,000 ft.
Threshold Voltage: <1.75V ±0.03V / cell	MTBF >61,000 hours (calculated)
Cycle Charge Voltage: 2.45V +/-0.2V / cell (measured at PCB output)	Case Dimensions: 5.9"(L) x 2.56"(W) x 1.38(H)", 149mm(L) x 64mm(W) x 45mm(H)
Float Charge Voltage: 2.30V +/-0.2V / cell (measured at PCB output)	Case Material: Black 94V0 Polycarbonate
Overvoltage Protection: > 2.5V ± 0.16V / cell	Output Connections: Cable: 18AWG, 2 conductor. Connector: 2.5mm barrel type (Ault #3) connector, center contact (+). Other connector options are available.
LED Indicators: LED Off: R/G/A 1 second on/off: Red LED On: Green LED On: Amber LED On: Flickering Red LED:	Battery Unloaded, output shorted. Application of Power, or Power reset. Fast Charge Fully Charged or Trickle Charge Float Charge Error (Output overvoltage (>2.5V /cell), or undervoltage (<1.75V /cell) LED error blink rate is 500 mSec on, 500 mSec off.

JBL745-2

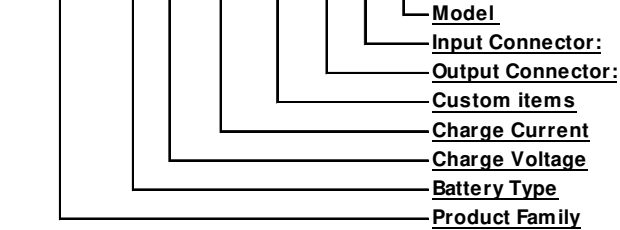
Universal Input, 26-32 Watt Series

Sealed Lead Acid Fast Chargers

2 Year Warranty

Model Number Key

JBL745 2 06 500 00 03 F J



"J" = Standard. "02" and higher indicates a modified model.
 "F" = IEC320 C14 grounded
 "03" = 2.5mm Barrel Type connector, center (+). Other options available.
 "00" = Standard Model
 "500" = 5.00A
 "06" = 6V, etc.
 "2" = Lead-Acid

Model Number	Battery Volts (V)	Fast Charge Current (A)	Switchover Current (A)	Fast Charge Voltage (V)	Float Charge Voltage (V)	Max Watts
JBL7452065000003FJ	6 V	5.00 A	0.500 A	7.35 V	6.90 V	26.0 W
JBL7452122500003FJ	12 V	2.50 A	0.250 A	14.7 V	13.8 V	29.0 W
JBL7452241500003FJ	24 V	1.50 A	0.150 A	29.4 V	27.6 V	32.0 W

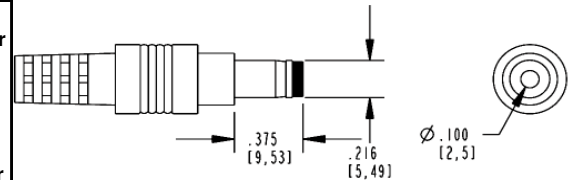
Input Receptacle

"F" = IEC320
C14
Class I -
Grounded

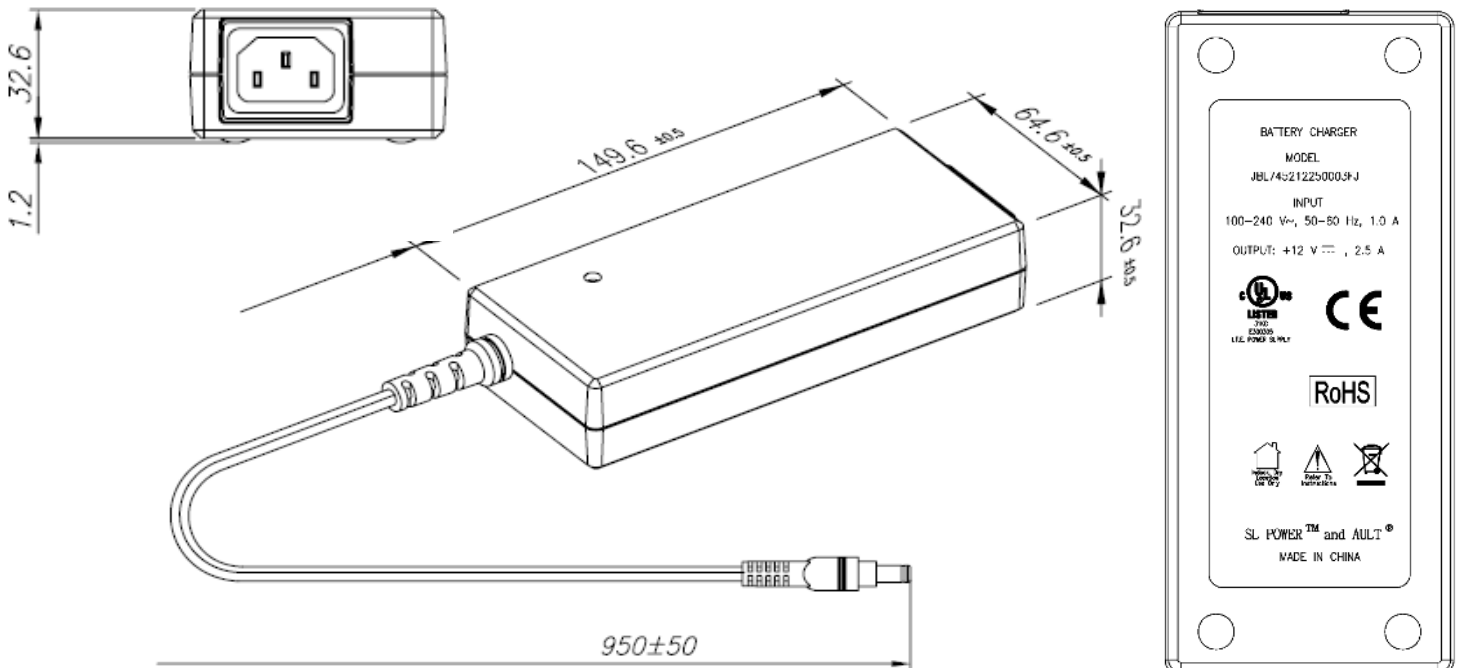


Notes: 1. Ault #3 Connector, center contact
 2. Connector is Switchcraft 760 plug or equivalent. Suggested mating connector is Switchcraft 712A or equivalent.
 3. Other connector options are available. Contact your local SL Power Representative for details.

Output Connector



Outline Drawing



Data Sheet © 2011 SL Power Electronics Corp. The information and specifications contained herein are believed to be correct at the time of publication. Rev. 9-16-2011
 However, SL Power accepts no responsibility for consequences arising from reproduction errors or inaccuracies. Specifications are subject to change without notice.