

DWG NO.

DO NOT SCALE

METRIC



DIMENSIONS IN mm.

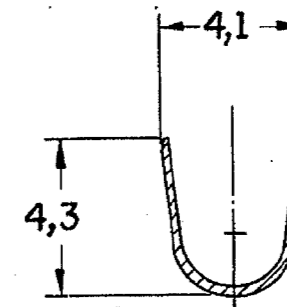
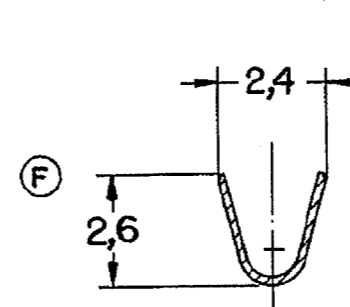
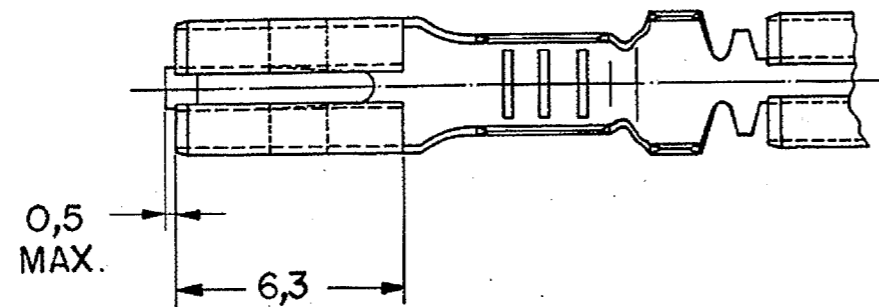
REQ. PER ASSY

ITEM

DESCRIPTION

MATERIAL

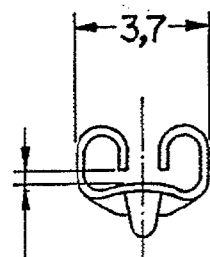
FINISH



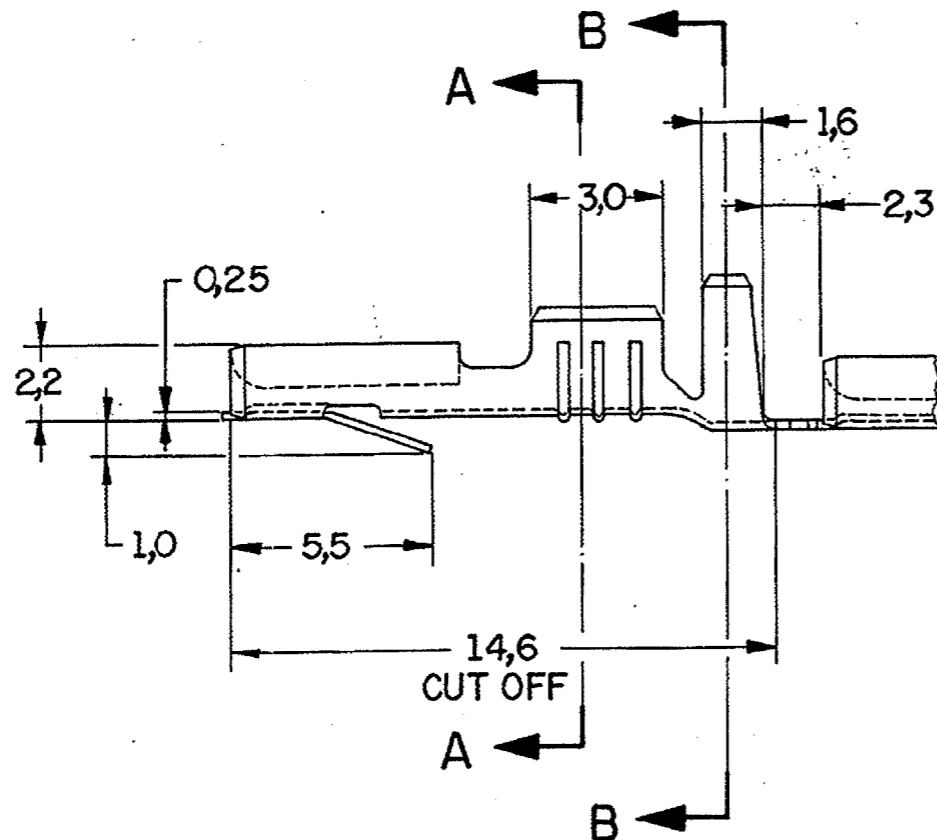
SECCÃO A-A SECTION

SECCÃO B-B SECTION

1 OBSOLETE PARTS.



PARA TAB DE 0,8 ESPESSURA. FOR 0,8 TAB.



<del>7</del>	<del>PRATEADO</del>	<del>LATÃO</del>	<del>7</del>
<del>6</del>	<del>PRÉ ESTANHADO</del>	<del>BRONZE FOSFOROSO</del>	<del>6</del>
<del>5</del>	<del>PRÉ ESTANHADO</del>	<del>LATÃO</del>	<del>5</del>
880679 -3	/	BRONZE FOSFOROSO	880634 -3
INATIVO -2	ESTANHADO	INATIVO	INATIVO -2
880679 -1	/	LATÃO	880634 -1
LOOSE PIECE 1	FINISH	MATERIAL	PART NUMBER

CUSTOMER DWG for REFERENCE ONLY

THIS DRAWING IS UNPUBLISHED. RELEASED FOR PUBLICATION. © COPYRIGHT 19 BY AMP DO BRASIL LTDA S.P. ALL INTERNATIONAL RIGHTS RESERVED AMP PRODUCTS MAY BE COVERED BY U.S. AND FOREIGN PATENTS AND/OR PATENTS PENDING.

TOLERANCES UNLESS OTHERWISE STATED: INS. DIA. RANGE 2,0-3,3 mm; WIRE RANGE 2 0,5-1,0 mm; DEC. ± 0,3; ANGLES ± 1°



F2 REV. BY ECO 18.009065	18 JUN 18	DR. N.C. LAPRESA OS - JUL - 93
F1 REVISED PER ECO-09-026444	26 NOV 09	CHK. J.R. 20 JUL 93
F REVISED BY 130/00	13 FEB 02	DE. H.R. 22 JUL 93
E DIM. 2,4 ERA 2,6	280/93	
D REDRAWN WITH CHANGE	200/93	
ISS	REVISION RECORD	ECN
DR	CHK	DATE
APP.		

DESCRIPTION .110 SERIES RECEPTACLE FASTIN - FASTON

A3 DWG NO C 880634 SHEET 1 OF 1