



MQS

TE Internal #: 1379217-3

Housing for Female Terminals, Wire-to-Wire / Wire-to-Board, 5 Position, .1 in [2.54 mm] Centerline, Black, Wire & Cable, Power & Signal, MQS

[View on TE.com >](#)

Connectors > Automotive Connectors > Automotive Housings > MQS, CONNECTOR HOUSING



Connector & Housing Type: **Housing for Female Terminals**

Mating Tab Width: **.63 mm, 2.8 mm [.025 in, .11 in]**

Connector System: **Wire-to-Board, Wire-to-Wire**

Number of Positions: **5**

Centerline (Pitch): **2.54 mm [.1 in]**

[All MQS, CONNECTOR HOUSING \(571\)](#)

Features

Product Type Features

Connector Shape	Rectangular
Connector & Housing Type	Housing for Female Terminals
Connector System	Wire-to-Board, Wire-to-Wire
Sealable	No
Hybrid Connector	Yes
Primary Locking Feature	Locking Lance
Connector & Contact Terminates To	Wire & Cable

Configuration Features

Number of Positions	5
Number of Rows	1

Electrical Characteristics

Operating Voltage	16 VDC
-------------------	--------



Nominal Voltage Architecture	12 V, 16 V
------------------------------	------------

Body Features

Cable Exit Angle	180°
------------------	------

Primary Product Color	Black
-----------------------	-------

Connector & Keying Code	Neutral
-------------------------	---------

Contact Features

Contact Size	.63mm, 2.8mm
--------------	--------------

Contact Type	Receptacle
--------------	------------

Mating Tab Width	.63 mm, 2.8 mm [.025 in][.11 in]
------------------	----------------------------------

Contact Current Rating (Max)	7.5 A, 35 A
------------------------------	-------------

Mechanical Attachment

Terminal Position Assurance	Yes
-----------------------------	-----

Strain Relief	Without
---------------	---------

Mating Alignment Type	Keyed
-----------------------	-------

Mating Alignment	With
------------------	------

Connector Mounting Type	Cable Mount (Free-Hanging)
-------------------------	----------------------------

Housing Features

Housing Material	PBT GF
------------------	--------

Centerline (Pitch)	2.54 mm [.1 in]
--------------------	-----------------

Dimensions

Product Length	19 mm [.748 in]
----------------	-----------------

Usage Conditions

Operating Temperature (Max)	100 °C [212 °F]
-----------------------------	-----------------

Operating Temperature Range	-40 – 100 °C [-40 – 212 °F]
-----------------------------	-----------------------------

Operation/Application

Circuit Application	Power & Signal
---------------------	----------------

Industry Standards

UL Flammability Rating	UL 94HB
------------------------	---------

Other

Serviceable	Yes
-------------	-----

Connector Position Assurance Capable	No
--------------------------------------	----

Product Compliance

[For compliance documentation, visit the product page on TE.com>](#)

EU RoHS Directive 2011/65/EU	Compliant
EU ELV Directive 2000/53/EC	Compliant
China RoHS 2 Directive MIIT Order No 32, 2016	No Restricted Materials Above Threshold
EU REACH Regulation (EC) No. 1907/2006	Current ECHA Candidate List: JUNE 2023 (235) Candidate List Declared Against: JAN 2023 (233) Does not contain REACH SVHC
Halogen Content	Low Halogen - Br, Cl, F, I < 900 ppm per homogenous material. Also BFR/CFR/PVC Free
Solder Process Capability	Not reviewed for solder process capability

Product Compliance Disclaimer

This information is provided based on reasonable inquiry of our suppliers and represents our current actual knowledge based on the information they provided. This information is subject to change. The part numbers that TE has identified as EU RoHS compliant have a maximum concentration of 0.1% by weight in homogenous materials for lead, hexavalent chromium, mercury, PBB, PBDE, DBP, BBP, DEHP, DIBP, and 0.01% for cadmium, or qualify for an exemption to these limits as defined in the Annexes of Directive 2011/65/EU (RoHS2). Finished electrical and electronic equipment products will be CE marked as required by Directive 2011/65/EU. Components may not be CE marked. Additionally, the part numbers that TE has identified as EU ELV compliant have a maximum concentration of 0.1% by weight in homogenous materials for lead, hexavalent chromium, and mercury, and 0.01% for cadmium, or qualify for an exemption to these limits as defined in the Annexes of Directive 2000/53/EC (ELV). Regarding the REACH Regulation, the information TE provides on SVHC in articles for this part number is based on the latest European Chemicals Agency (ECHA) 'Guidance on requirements for substances in articles' posted at this URL: <https://echa.europa.eu/guidance-documents/guidance-on-reach>

Compatible Parts



Also in the Series | **MQS**



Automotive Connector Caps & Covers (139)



Automotive Connector EMC Shielding (3)



Automotive Connector Locks & Position Assurance(30)



Automotive Housings(506)



Automotive Seals & Cavity Plugs(27)



Automotive Terminals(104)



Insertion & Extraction Tools(42)



Other Automotive Connector Accessories(14)

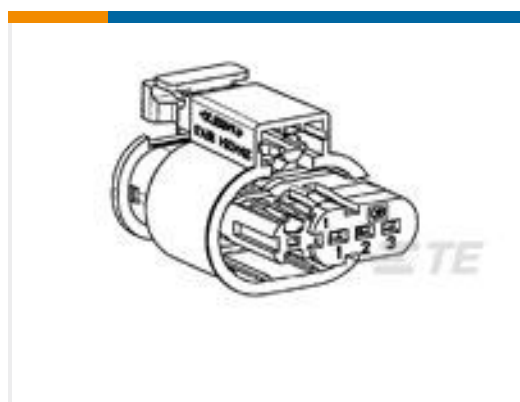


PCB Headers & Receptacles(214)

Customers Also Bought



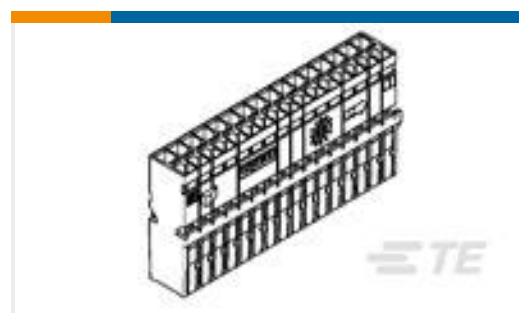
TE Part #963344-1
J-P-T GEH KOMPL 2P



TE Part #284425-3
3 POS CONNECTOR FOR INJECTION



TE Part #936613-1
2.8MM MCP-E TAB CONT



TE Part #1326141-1
32WAY LAC RECEPTACLE CARRIER H



TE Part #3-2177198-1
COVER,10 POS. MQS,BU



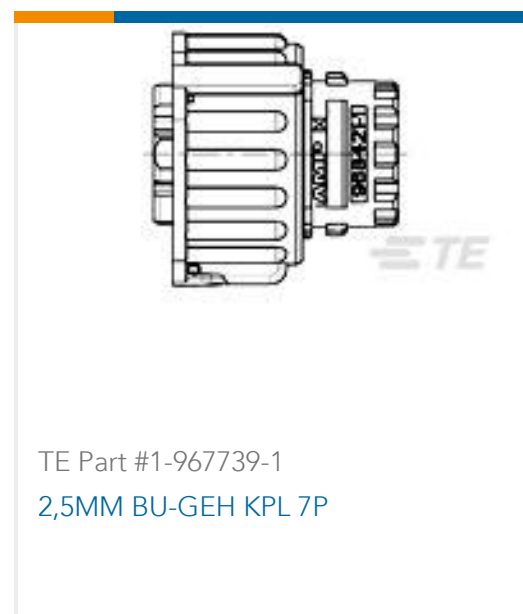
TE Part #284722-1
COVER FOR 94 POS. RECEPTACLE HOUSING



TE Part #2035334-8
CONTACT, FEMALE0.64 ,20.35SQMM



TE Part #1743647-2
MT-II/JPT SLD 36P CAP COVER-A



Documents

Product Drawings

[5POS MIXED MQS REC COD Z](#)

English

CAD Files

Customer View Model

[ENG_CVM_CVM_1379217-3_A.2d_dxf.zip](#)

English

[3D PDF](#)

3D

Customer View Model

[ENG_CVM_CVM_1379217-3_A.3d_igs.zip](#)

English

Customer View Model

[ENG_CVM_CVM_1379217-3_A.3d_stp.zip](#)

English

By downloading the CAD file I accept and agree to the [Terms and Conditions](#) of use.

Datasheets & Catalog Pages

[Micro Quadlok Interconnection System \(MQS\)](#)

English

Product Specifications

[2 WAY MPQ + 3 WAY MQS SOCKET HOUSING](#)

English

[Product Specification](#)

English