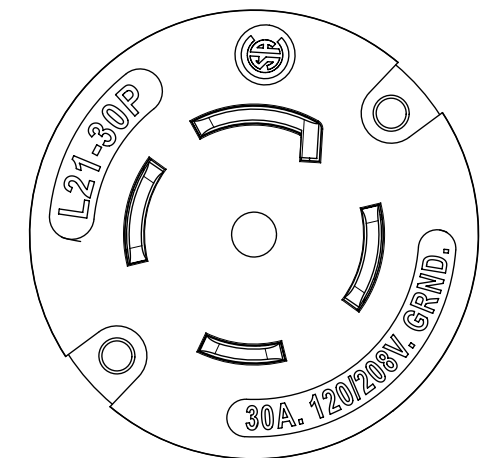
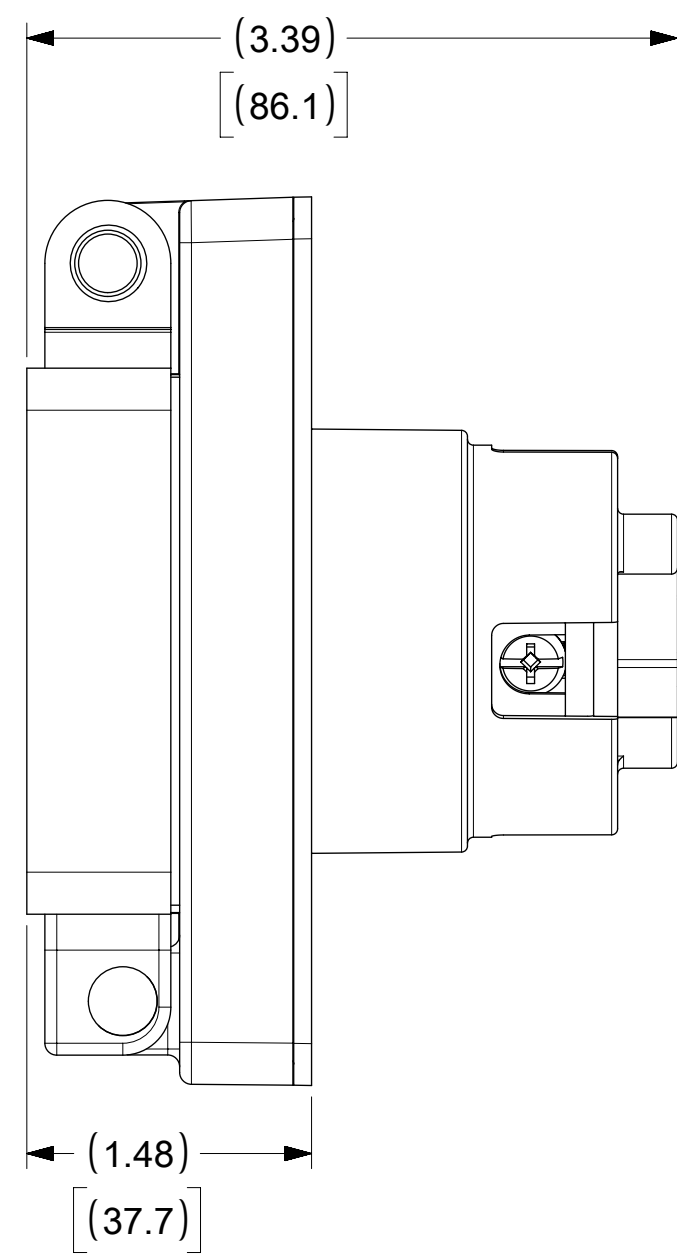
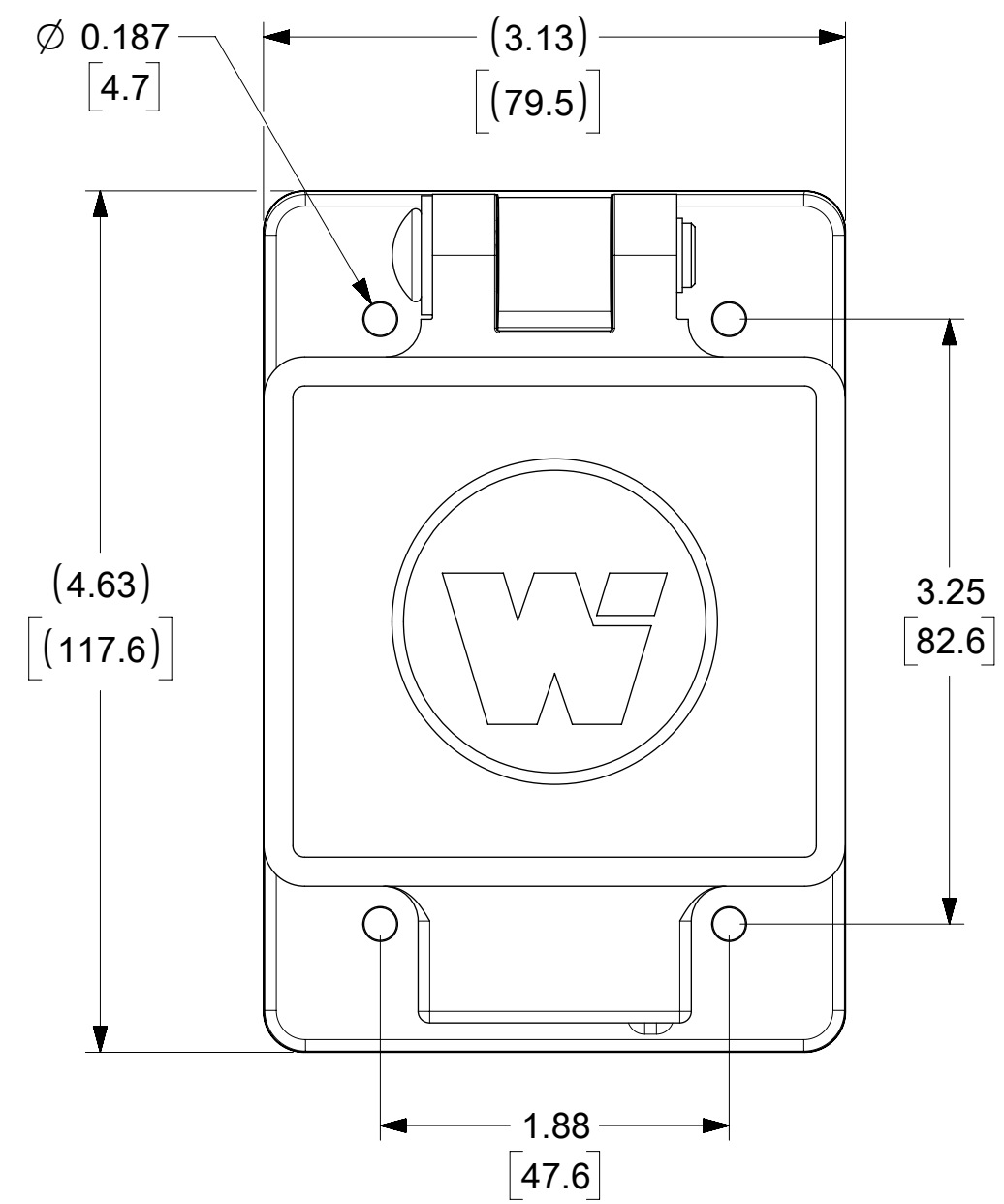
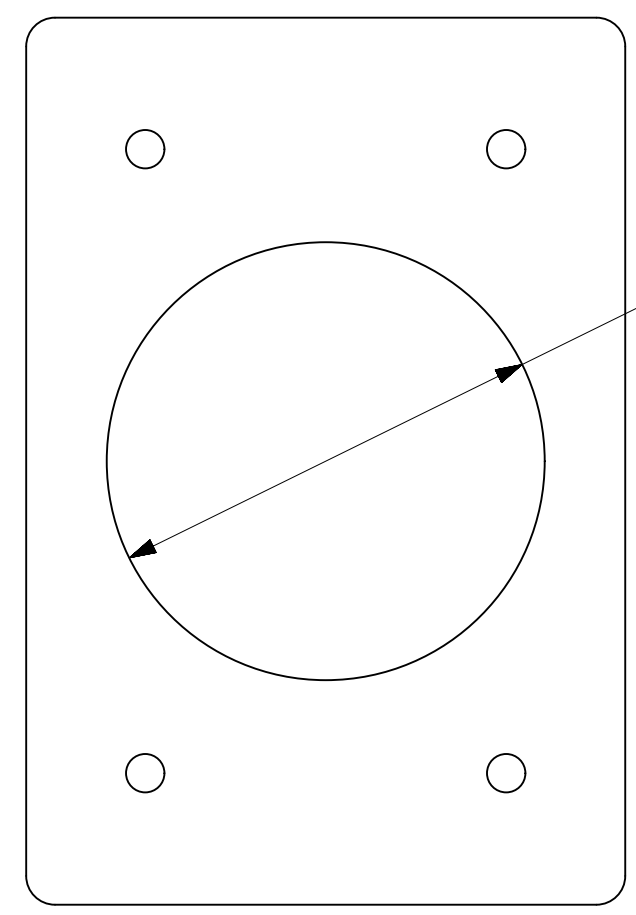
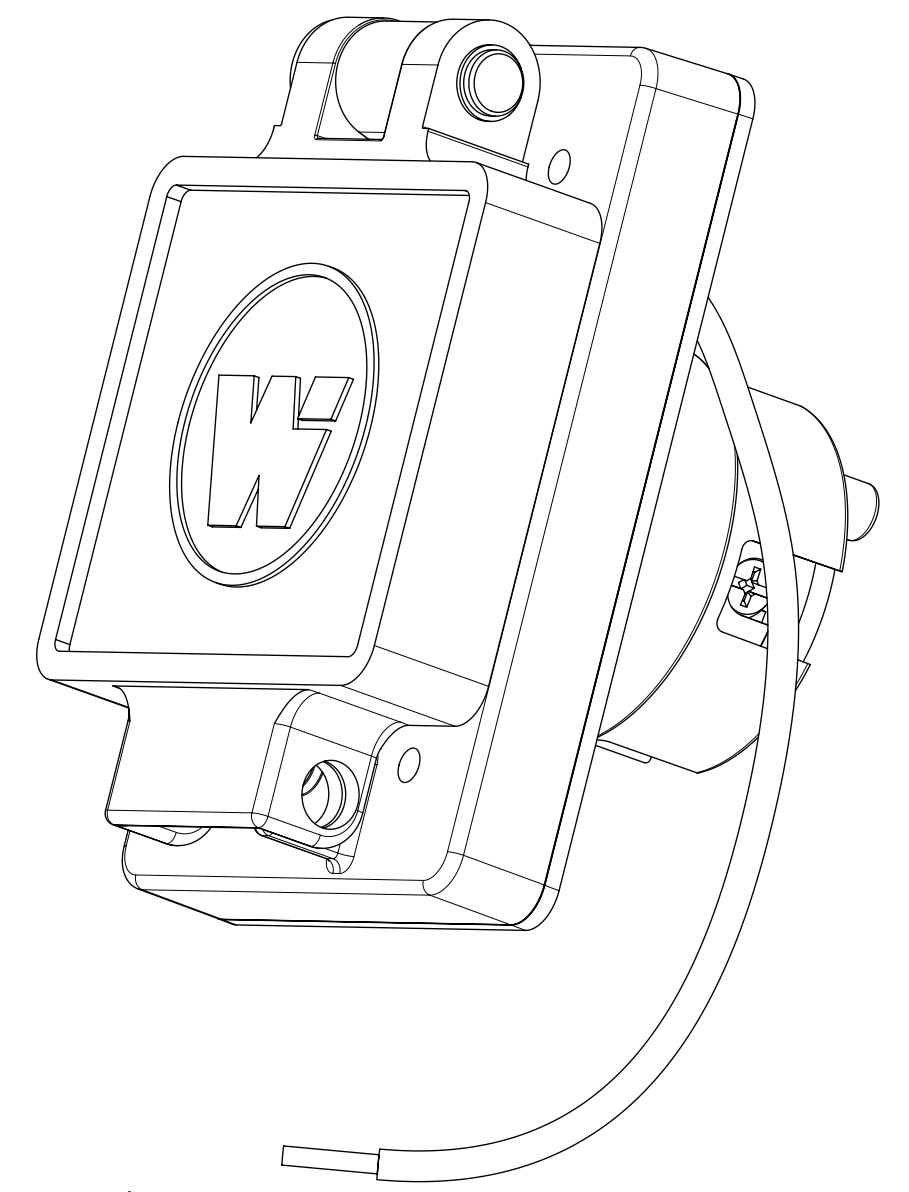


ORDER NO.	WOODHEAD NO.	COLOR
130147-0163	68W81	YELLOW



FACE VIEW



CLEARANCE HOLE (FOR PANEL MOUNT)

DESCRPITION	MATERIAL	QTY.
BLADES	BRASS, NICKEL PLATED	3
RETAINING SCREWS	STAINLESS STEEL	3
CLAMP AND TERMINAL SCREW ASSY.	BRASS, ZINC PLATED	3
MALE INSERT	NYLON	1
TERMINAL COVER	POLYCARBONATE	1
COVER ASSEMBLY	POLYCARBONATE, STAINLESS STEEL, ALUMINUM	1
GASKET FLIP	NEOPRENE	1
MOTOR BASE MTG ASSY	POLYCARBONATE, STAINLESS STEEL, BRASS	1
SCREW (GROUND WIRE)	STAINLESS STEEL	1
JUMPER WIRE ASSY	COPPER, BRASS (TINNED FINISH)	1

THIS DRAWING CONTAINS INFORMATION THAT IS PROPRIETARY TO MOLEX ELECTRONIC TECHNOLOGIES, LLC AND SHOULD NOT BE USED WITHOUT WRITTEN PERMISSION										
SYMBOLS		DIMENSION UNITS		SCALE		CURRENT REV DESC: MIGRATE TO ECTR/NX				
▽ = 0	INCH	MM	NTS			<b>molex</b> WATERTITE MOTOR BASE COVERPLATE 4P5W L21-30				
▽ = 0	GENERAL TOLERANCES (UNLESS SPECIFIED)									
▽ = 0			MM	INCH			EC NO: 614004 DRWN: SRPATIL 2018/12/27 CHK'D: DNGUYEN62 2019/03/19 APPR: HKNEELAND 2019/03/22			
▽ = 0	4 PLACES	±	±			PRODUCT CUSTOMER DRAWING				
▽ = 0	3 PLACES	±	±			DOCUMENT NUMBER		DOC TYPE	DOC PART	REVISION
▽ = 0	2 PLACES	±	±			1301470163		PSD	000	A
▽ = 0	1 PLACE	±	±			MATERIAL NUMBER		CUSTOMER		SHEET NUMBER
▽ = 0	0 PLACES	±	±			SEE TABLE		GENERAL MARKET		1 OF 1
▽ = 0	ANGULAR TOL ± °					DRAWING		SERIES		
▽ = 0	DRAFT WHERE APPLICABLE MUST REMAIN WITHIN DIMENSIONS					C-SIZE		130147		