

8 Pin DIP Gull Wing SM Package Clock Oscillator Series



2111 Comprehensive Drive
Aurora, Illinois 60505
Phone: 630-851-4722
Fax: 630-851-5040
www.conwin.com

US Headquarters:
630-851-4722
European Headquarters:
+353-61-472221

Description:

The Connor-Winfield's JH5x series are 8 Pin DIP Gull Wing Surface Mount package, 5.0V HCMOS Output logic, fixed frequency Crystal Oscillator (XO) designed for applications requiring a high frequency stability clock.

Features:

5.0 Vdc Operation
Frequency Stability:
JH51 - ± 25 ppm
JH52 - ± 50 ppm
JH53 - ± 100 ppm
Temperature Range: 0 to 70°C
HCMOS Output Logic
8 Pin DIP Gull Wing SM Package
Tape and Reel Packaging

Absolute Maximum Ratings

Parameter	Minimum	Nominal	Maximum	Units	Notes
Storage Temperature	-55	-	125	°C	
Supply Voltage (Vcc)	-0.5	-	7.0	Vdc	

Model Specifications

Model	Minimum	Nominal	Maximum	Units	Notes
JH51					
Frequency Tolerance	-25	-	25	ppm	1
JH52					
Frequency Tolerance	-50	-	50	ppm	1
JH53					
Frequency Tolerance	-100	-	100	ppm	1

Operating Specifications

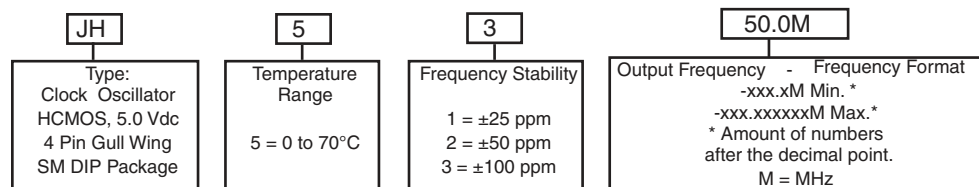
Parameter	Minimum	Nominal	Maximum	Units	Notes
Frequency Range(Fo)	0.250	-	70	MHz	
Operating Temp Range	0	-	70	°C	
Supply Voltage (Vcc)	4.5	5.0	5.0	Vdc	$\pm 10\%$
Supply Current (Icc)	-	-	25	mA	
Period Jitter	-	3	5	ps rms	
Integrated Phase Jitter	-	0.3	1.0	ps rms	

HCMOS Output Characteristics

Parameter	Minimum	Nominal	Maximum	Units	Notes
Load	-	15	-	pF	
Voltage High (Voh)	4.5	-	-	V	
Voltage Low (Vol)	-	-	0.5	V	
Current High (Ioh)	-	-	-4	mA	
Current Low (Iol)	4	-	-	mA	
Duty Cycle at 50% of Vcc	45	50	55	%	
Rise / Fall Time: 10 to 90%	-	-	5	ns	
Start Up Time	-	-	10	ms	

Package Characteristics

Package Hermetically sealed 8 Pin SM DIP metal package with case ground.



Example Part Number:

JH53-050.0M = 8 Pin DIP Gull Wing Surface Mount, HCMOS, 5.0Vdc Clock, 0 to 70°C, ± 25 ppm, Output Frequency 050 MHz

Bulletin **HC222**
Page **1 of 2**
Revision **00**
Date **11 Dec 2012**



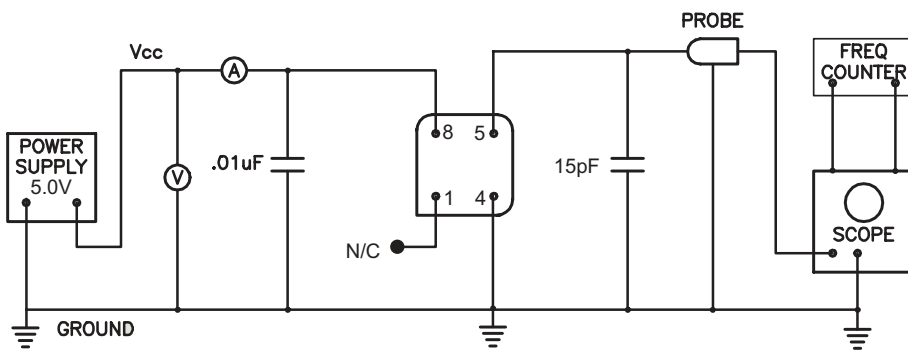
Environmental Characteristics

Vibration:	Vibration per Mil Std 883E Method 2007.3 Test Condition A
Shock:	Mechanical Shock per Mil Std 883E Method 2002.4 Test Condition B.
Solderability	Solderability per Mil Std 883E Method 2003

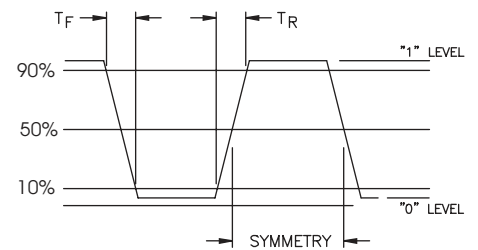
Pin Connections

1:	N/C
4:	Ground
5:	Output
8:	Supply Voltage (Vcc)

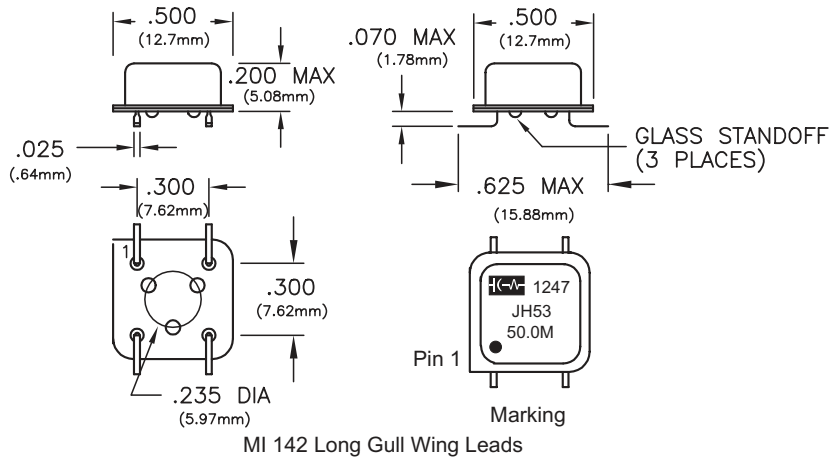
Test Circuit



Output Waveform



Package Layout



Suggested Pad Layout

