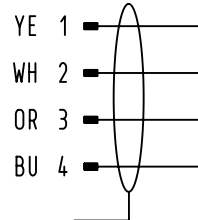
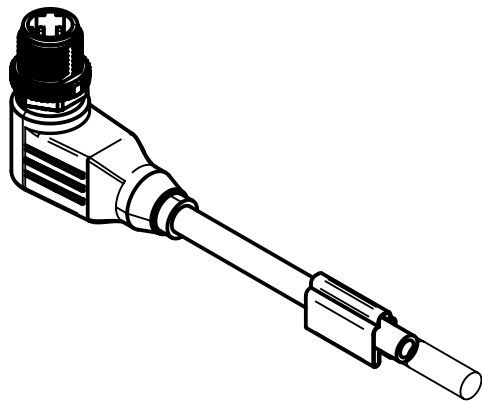
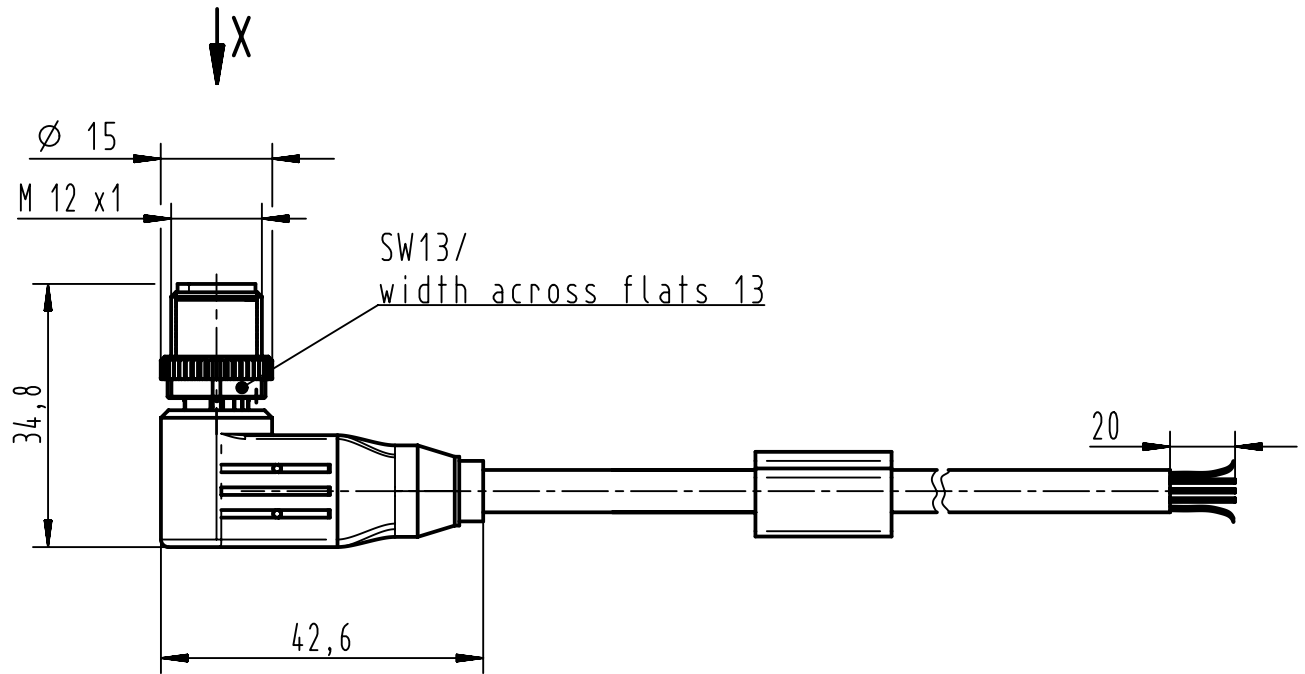






Schematic diagram



Connector frame



	All rights reserved Department EC PD - DE	All Dimensions in mm Original Size DIN A4		Scale 1:1	Free size tol.		Ref. Sub.	
		HARTING Electronics GmbH D-32339 Espelkamp	Created by DRAGHICI	Inspected by STOICA	Standardisation HOFFMANN	Date 2012-09-27	State Final Release	
			Title M12 circular connector, AWG22, D-coded			Rev. B		Page 1/2
			Type TB		Number 21035853400			

	1	2	3	4	5	6																																							
A																																													
B	12	21035853440	HARTING/ 21035853440/ Fertigungscode/ Made in Germany			40000 ± 1,5%																																							
	11	21035853425	HARTING/ 21035853425/ Fertigungscode/ Made in Germany			25000 ± 1,5%																																							
	10	21035853420	HARTING/ 21035853420/ Fertigungscode/ Made in Germany			20000 ± 1,5%																																							
	9	21035853415	HARTING/ 21035853415/ Fertigungscode/ Made in Germany			15000 ± 1,5%																																							
	8	21035853410	HARTING/ 21035853410/ Fertigungscode/ Made in Germany			10000 ± 1,5%																																							
	7	21035853457	HARTING/ 21035853457/ Fertigungscode/ Made in Germany			7500 ± 1,5%																																							
	6	21035853407	HARTING/ 21035853407/ Fertigungscode/ Made in Germany			7000 ± 1,5%																																							
	5	21035853405	HARTING/ 21035853405/ Fertigungscode/ Made in Germany			5000 ± 1,5%																																							
	4	21035853403	HARTING/ 21035853403/ Fertigungscode/ Made in Germany			3000 + 100																																							
	3	21035853402	HARTING/ 21035853402/ Fertigungscode/ Made in Germany			2000 + 100																																							
	2	21035853451	HARTING/ 21035853451/ Fertigungscode/ Made in Germany			1500 + 100																																							
	1	21035853401	HARTING/ 21035853401/ Fertigungscode/ Made in Germany			1000 + 50																																							
C	Cont no.	Part no.	Cable printing			Nominal length [L]																																							
D	<table border="1"> <tr> <td rowspan="2"></td> <td colspan="2">All rights reserved</td> <td>Created by</td> <td>Inspected by</td> <td>Standardisation</td> <td>Date</td> <td>State</td> </tr> <tr> <td colspan="2">Department EC PD - DE</td> <td>DRAGHICI</td> <td>STOICA</td> <td>HOFFMANN</td> <td>2012-09-27</td> <td>Final Release</td> </tr> <tr> <td colspan="2">HARTING Electronics GmbH D-32339 Espelkamp</td> <td colspan="4">Title M12 circular connector, AWG22, D-coded</td> <td colspan="2">Doc-Key / ECM-Nr. 100177528/UGD/005/B</td> </tr> <tr> <td colspan="2"></td> <td>Type</td> <td colspan="2">Number</td> <td>Rev.</td> <td colspan="2">Page</td> </tr> <tr> <td colspan="2"></td> <td>TB</td> <td colspan="2">21035853400</td> <td>B</td> <td colspan="2">2/2</td> </tr> </table>							All rights reserved		Created by	Inspected by	Standardisation	Date	State	Department EC PD - DE		DRAGHICI	STOICA	HOFFMANN	2012-09-27	Final Release	HARTING Electronics GmbH D-32339 Espelkamp		Title M12 circular connector, AWG22, D-coded				Doc-Key / ECM-Nr. 100177528/UGD/005/B				Type	Number		Rev.	Page				TB	21035853400		B	2/2	
	All rights reserved		Created by	Inspected by	Standardisation	Date		State																																					
	Department EC PD - DE		DRAGHICI	STOICA	HOFFMANN	2012-09-27	Final Release																																						
HARTING Electronics GmbH D-32339 Espelkamp		Title M12 circular connector, AWG22, D-coded				Doc-Key / ECM-Nr. 100177528/UGD/005/B																																							
		Type	Number		Rev.	Page																																							
		TB	21035853400		B	2/2																																							