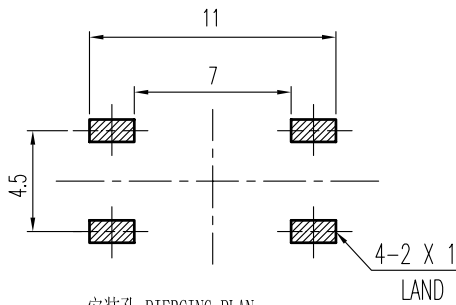


示意图 SCHEMATIC

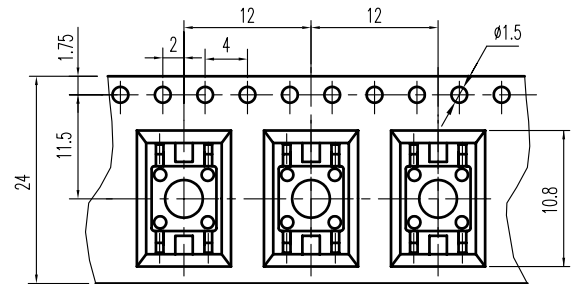
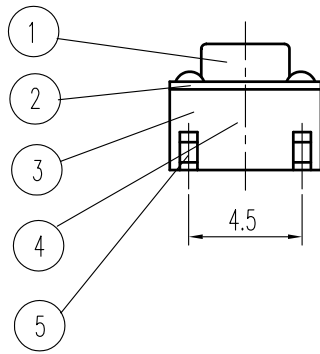


安装孔 PIERCING PLAN

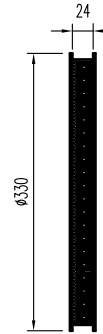
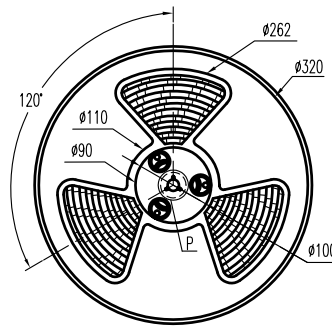
FORCE (gf)		KNOB COLOUR	OPERATING LIFE WITH LOAD	SPRING PLATE
H	100 ± 30			
0	130 ± 30	GREY		
1	160 ± 30	BLACK		
3	250 ± 50	IVORY/GREEN	50,000 Cycles	1
4	300 ± 50	BLACK	50,000 Cycles	2
	380 ± 50			
5	500 ± 100	GREY		

L	
A	4.3
B	5

Ⓒ



Ⓒ PACKAGE : 1000 SWITCHES PER REEL



规格 Specifications

额定负荷 Ratings	DC 12_V 50_m A
接触电阻 Contact Resistance	100_mΩ Max.
绝缘电阻 Insulation Resistance	DC 100_V 60_Sec 100_MΩ Min.
抗电强度 Dielectric Voltage	AC 250_V (50~60HZ) 60_Sec.
操作力 Operating Force	见上表
负荷寿命 Operating Life With Load	见上表

序NO.	零件 PART	材料 MATERIAL	数量 QTY	备注 REMARKS	DWG NO.	ITEM2573
5	端子 TERMINAL	C2680R	4	Ag PLATED	A04	PACKAGE : 700 SWITCHES PER REEL PACKAGE : 1000 SWITCHES PER REEL 见 Ⓒ
4	弹片 SPRING	C5210R	见上表	Ag CLAD		
3	胶壳 HOUSING	PA	1	BLACK	A03	增加寿命次数和弹片数量见上表 Ⓓ
2	盖片 COVER	POLY FILM	1	NATURAL	A02	修改见 Ⓒ
1	胶柄 KNOB	PA	1		标号 REV	内容 DESCRIPTION
						签名 SIGN. 日期 DATE

TOLERANCES UNLESS OTHERWISE SPEC.		TITLE	TACT SWITCH		ITEM NO	RS-014R05__-SMA RT	
UNDER 1	± 0.10	DRAWN	王光云	2006-10-16	VERSION	A04	PAGE 1 OF 1
1 - 10	± 0.30	REVIEWED	张念明	2006-10-17	SCALE		UNIT mm
OVER 10	± 0.50	APPROVED	刘瑞富	2006-10-17	PROJECTION		

COMAX ELECTRONICS (HUIZHOU) CO.,LTD.