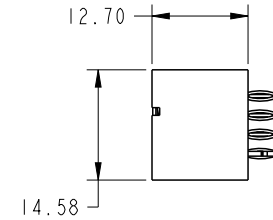
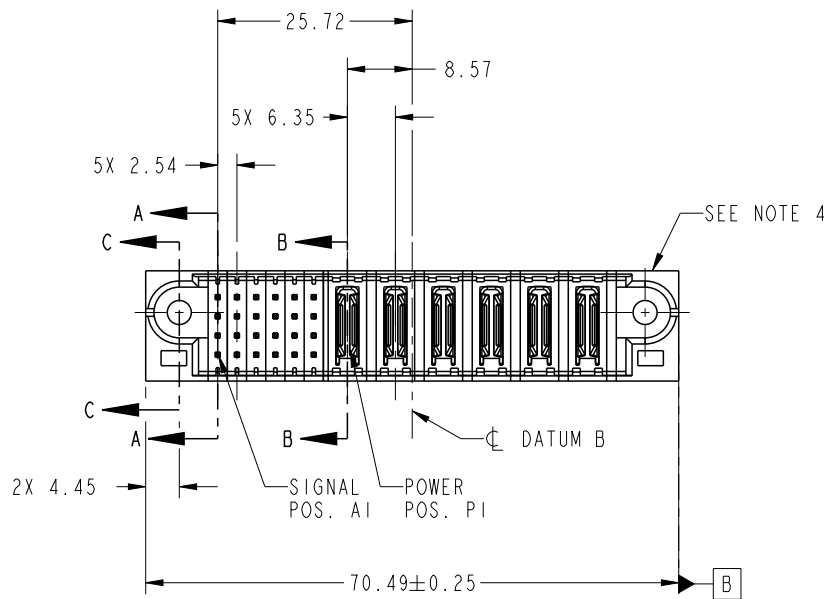


PRODUCT NO. 51952-229-- NOTE ③	ROWS DCBA	SIGNAL						POWER					
		E1	1	2	3	4	5	6	P1	P2	P3	P4	P5
		GGGGGG						PC PC PC PC PC PC					



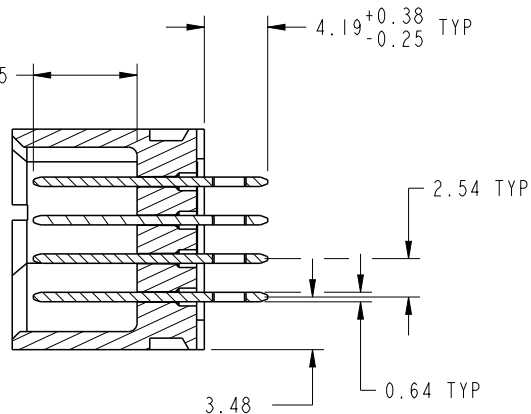
CODE	DIM "M" MATING LENGTH	CONTACT TYPE
PC	[N/A]	POWER
G	[6.86]	SIGNAL
HA	[N/A]	HOLD-DOWN

spec ref	See Notes			dr	Ruan MT	2012/10/10	projection 	MM 	size	A4	scale	1:1
tolerance std	TOLERANCES UNLESS OTHERWISE SPECIFIED			eng	Ruan MT	2013/10/15			ecn no	-		
See Notes				chr	-	-			rel level	Released		
surface	linear	0.X	±0.50	FCI www.fci.com	title	24S + 6P		dwg no	51952-229		rev	A
		0.XX	±0.25			VERTICAL PRESS-FIT HEADER						
		0.XXX	±0.10			cat. no.	Product - Customer Drw		sheet 1 of 4			
	angular	0°	±2°									

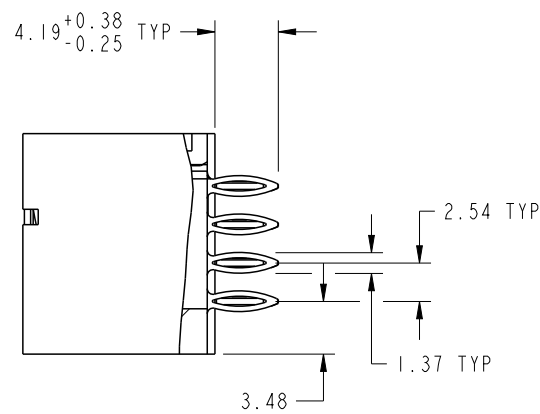
PRODUCT NUMBER

51952-229--
NOTE 3

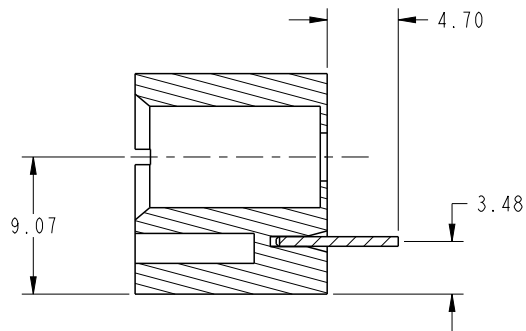
DIM "M" ±0.25



SECTION A-A
SCALE 2:1



SECTION B-B
SCALE 2:1



SECTION C-C
SCALE 2:1

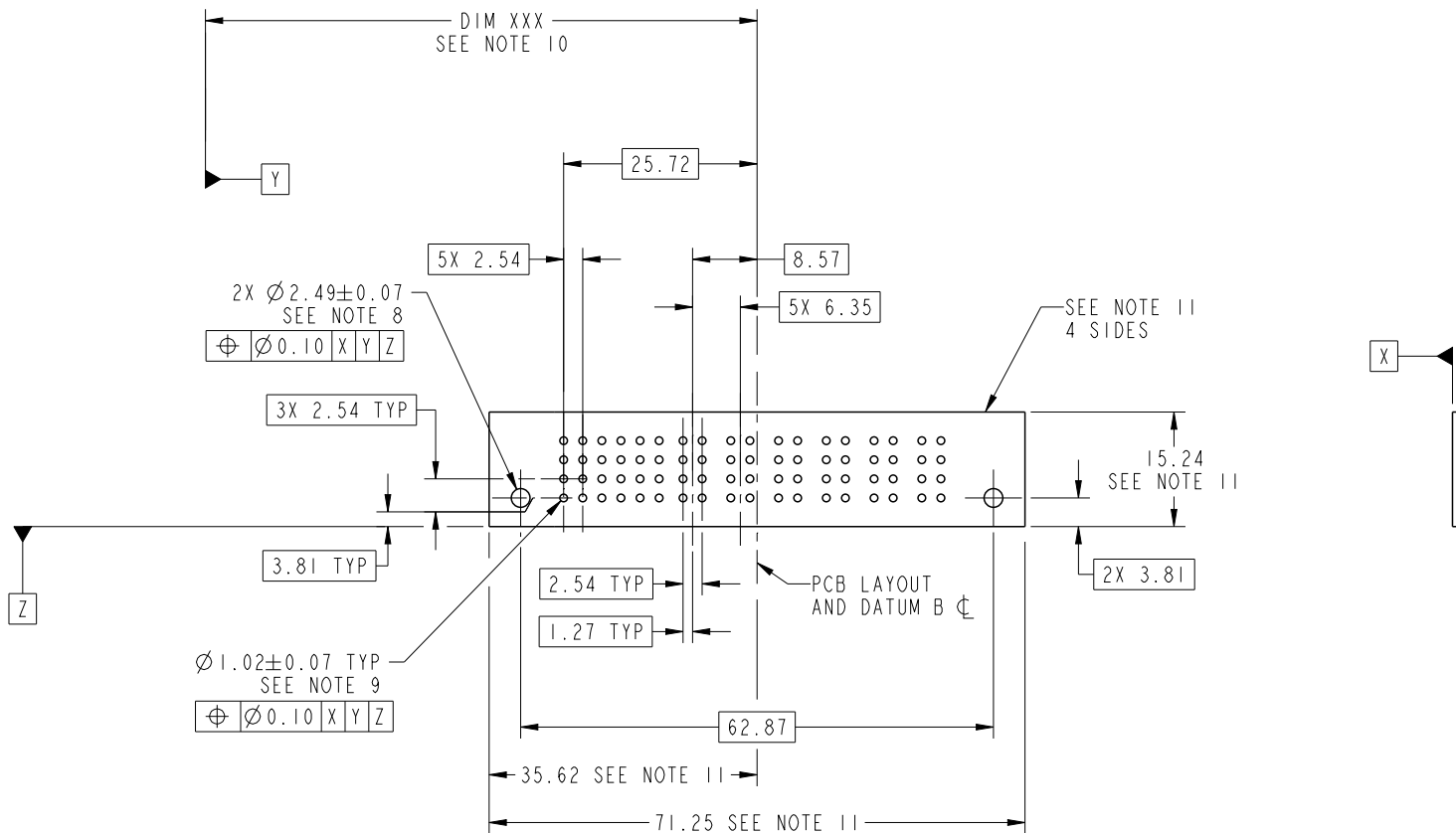
dr	Ruan MT	2012/10/10	projection 	MM 	size	A4	scale	1:1
eng	Ruan MT	2013/10/15			ecn no	-		
chr	-	-			rel level	Released		
appr	Pei-Ming Zheng	2013/10/15	product family	PwrBlade				
		title 24S + 6P VERTICAL PRESS-FIT HEADER	dwg no 51952-229	rev A				
www.fci.com		cat. no.	Product - Customer Drw			sheet 2 of 4		



Copyright FCI.

PRODUCT NUMBER

51952-229__
NOTE 3



RECOMMENDED PCB LAYOUT

dr	Ruan MT	2012/10/10	projection 	MM 	size	A4	scale	1:1	
eng	Ruan MT	2013/10/15			ecn no	-			
chr	-	-			rel level	Released			
appr	Pei-Ming Zheng	2013/10/15	product family	PwrBlade					
		title	24S + 6P		dwg no	51952-229		rev	A
www.fci.com		cat. no.	Product - Customer Drw			sheet 3 of 4			

PRODUCT NUMBER

51952-229__
NOTE 3

NOTES:

1. DIMENSIONS AND TOLERANCES ARE IN ACCORDANCE WITH ASME Y14.5M, 1994 UNLESS OTHERWISE SPECIFIED.

CONNECTOR NOTES:

- ② HOUSING MATERIAL: UL 94 V-0 GLASS FILLED HIGH-TEMP THERMOPLASTIC
POWER CONTACT MATERIAL: COPPER ALLOY
SIGNAL PIN MATERIAL: COPPER ALLOY
- 3. SEE ITEM 3 & 4 IN PRINT 10064183 FOR PLATING SPEC OF 51952-229 AND 51952-229LF RESPECTIVELY.
- ④ MANUFACTURER'S NAME, DATE CODE AND OPTIONAL P/N TO APPEAR ON THIS SURFACE. THE MARK CAN BE OMITTED IF THERE IS NOT ENOUGH SPACE ON THIS SURFACE.
- 5. PRODUCT SPECIFICATION GS-12-149.
APPLICATION SPECIFICATION BUS-20-067.

6. PACKAGED IN TRAYS.

PCB NOTES:

- 7. ALL HOLE DIAMETERS ARE FINISHED HOLE SIZE.
- 8. MOUNTING HOLES, WHERE APPLICABLE, ARE UNPLATED.

⑨ $\varnothing 1.151 \pm 0.025$ DRILLED HOLES PLATED WITH 0.008 MIN SnPb OR Sn OVER .001 [0.03] TO 0.08 Cu PLATING TO ACHIEVE $\varnothing 1.02 \pm 0.07$ HOLE.

⑩ "DIM XXX" TO BE DETERMINED BY THE CUSTOMER.

⑪ CONNECTOR KEEP-OUT ZONE.

12. FOR PRESS FIT APPLICATION USE FCI CAM TOOL 430169-XXX.

dr	Ruan MT	2012/10/10	projection 	MM 	size	A4	scale	1:1	
eng	Ruan MT	2013/10/15			ecn no	-			
chr	-	-							
appr	Pei-Ming Zheng	2013/10/15	product family	PwrBlade	rel level	Released			
		title	24S + 6P VERTICAL PRESS-FIT HEADER		dwg no	51952-229		rev	A
www.fci.com		cat. no.	Product - Customer Drw			sheet 4 of 4			



Copyright FCI.