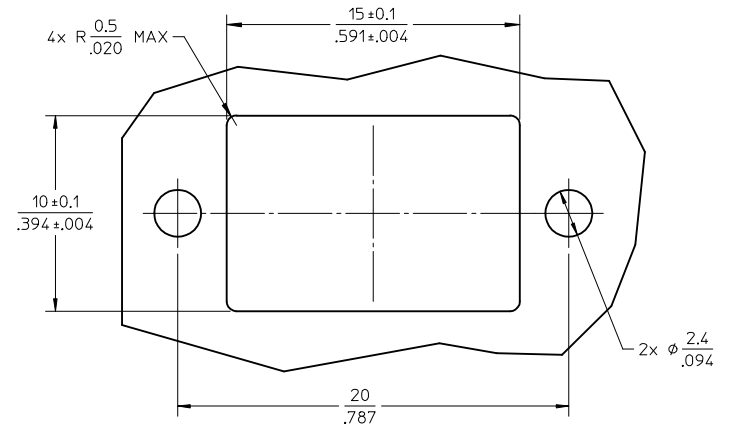
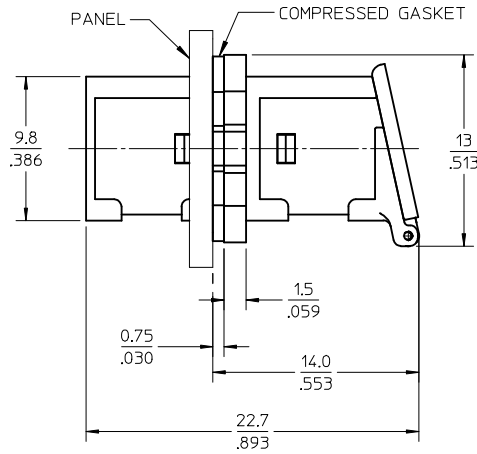
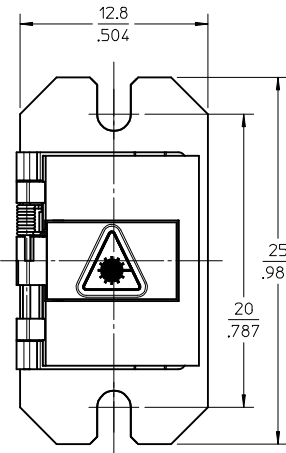
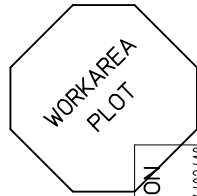
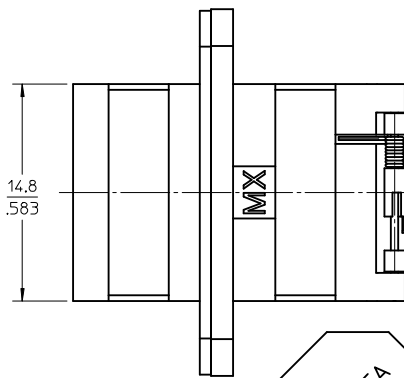
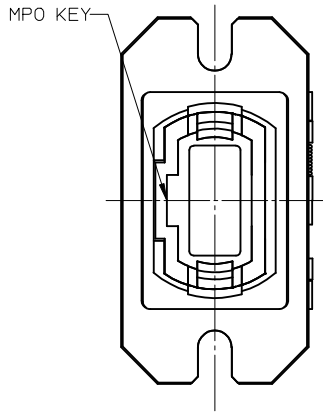


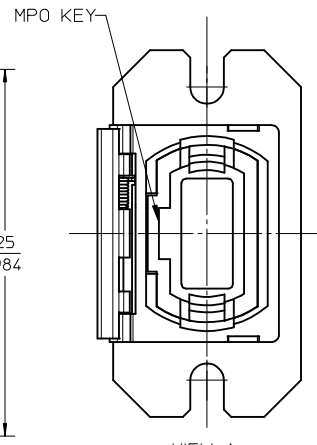
PART NUMBER	ADAPTER DOOR COLOR
1061141100	NONE
1061141210	RED
1061141220	BLUE



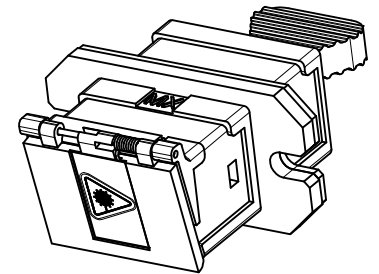
RECOMMENDED MOUNTING PATTERN



VIEW A



VIEW A
(SHOWN WITH DOOR OPENED)



NOTES:

- SILICONE GASKET WITH Ag/Al FILLER (SHOWN COMPRESSED) IS SUPPLIED WITH THE PART.
- OUTER SHELL OF PART IS DIECAST.
- DUST CAP SHOWN ONLY IN ISOMETRIC VIEW.
- ADAPTERS TO BE PACKAGED IN TRAY.

ENTER DESCRIPTION	2014/08/17
EC NO: MF2014-0028	
DRWAEEFUNG	2014/02/18
CHKD:	
APPR:WCHEN	
REV	DESCRIPTION

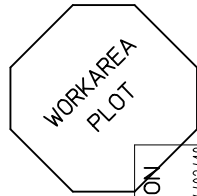
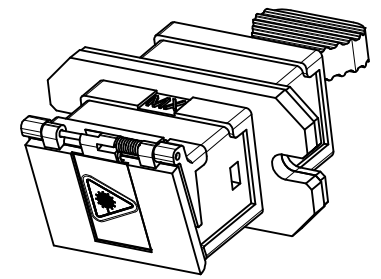
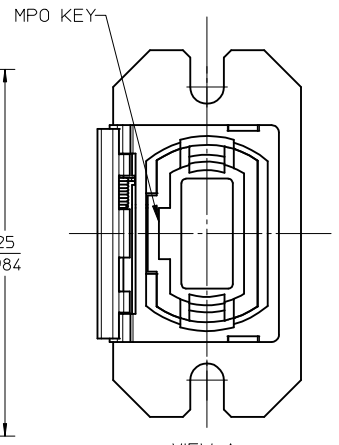
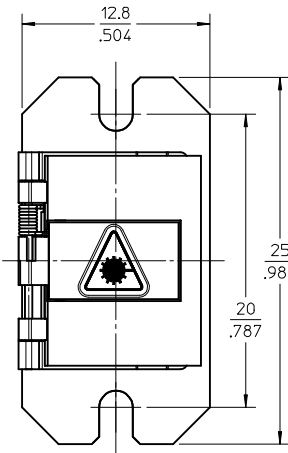
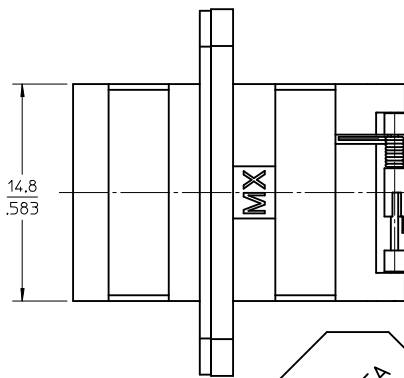
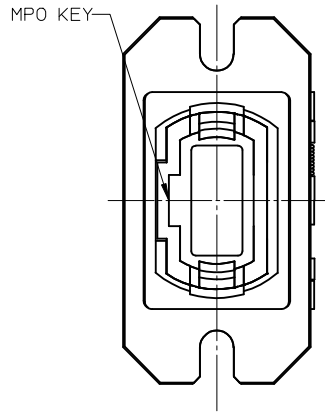
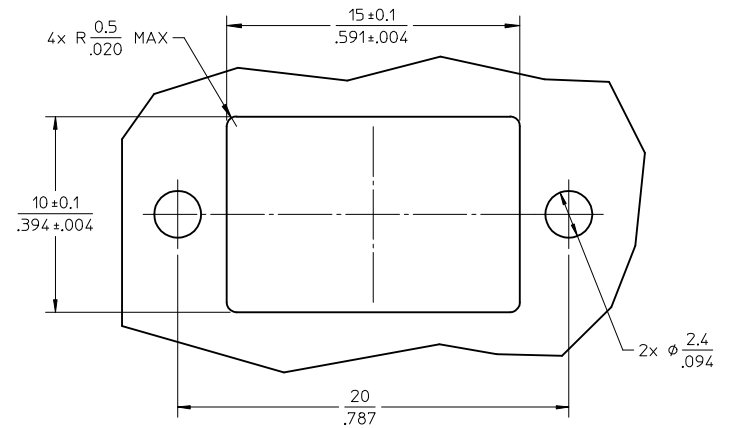
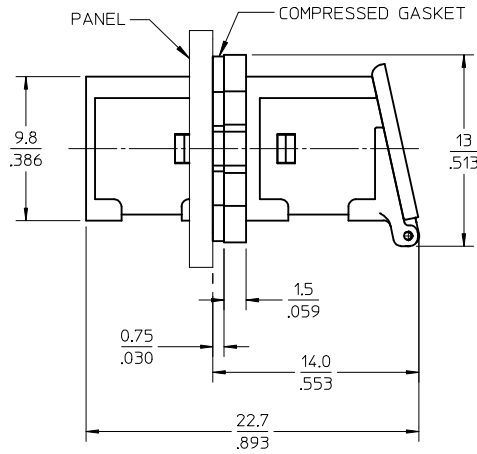
QUALITY SYMBOLS	▽=0
	▽=0

GENERAL TOLERANCES (UNLESS SPECIFIED)	mm	INCH
	4 PLACES ± ---	± ---
	3 PLACES ± ---	± ---
	2 PLACES ± 0.10	± ---
	1 PLACE ± 0.10	± ---
ANGULAR ± 1/2°		
DRAFT WHERE APPLICABLE MUST REMAIN WITHIN DIMENSIONS		

DIMENSION STYLE	
IN/MM	
DRAWN BY	DATE
PGIBLIN	2005/11/17
CHECKED BY	DATE
APPROVED BY	DATE
MATERIAL NO.	1061141100

SCALE	DESIGN UNITS	THIRD ANGLE PROJECTION
3:1	INCH	☉
TITLE		
MPO EMI ADAPTER, FLANGE FLANGE		
molex MOLEX INCORPORATED		
DOCUMENT NO.	SHEET NO.	
SD-106114-1100	1 OF 1	
THIS DRAWING CONTAINS INFORMATION THAT IS PROPRIETARY TO MOLEX INCORPORATED AND SHOULD NOT BE USED WITHOUT WRITTEN PERMISSION		

PART NUMBER	ADAPTER DOOR COLOR
1061141100	NONE
1061141210	RED
1061141220	BLUE



NOTES:

- SILICONE GASKET WITH Ag/Al FILLER (SHOWN COMPRESSED) IS SUPPLIED WITH THE PART.
- OUTER SHELL OF PART IS DIECAST.
- DUST CAP SHOWN ONLY IN ISOMETRIC VIEW.
- ADAPTERS TO BE PACKAGED IN TRAY.

ENTER DESCRIPTION	2014/08/17
EC NO: MF2014-0028	
DRWAEEFUNG	2014/02/18
CHKD:	
APPR:WCHEN	
REV	DESCRIPTION

QUALITY SYMBOLS	▽=0
	▽=0

GENERAL TOLERANCES (UNLESS SPECIFIED)	
	mm INCH
4 PLACES	± --- ± ---
3 PLACES	± --- ± ---
2 PLACES	± 0.10 ± ---
1 PLACE	± 0.10 ± ---
ANGULAR ± 1/2°	
DRAFT WHERE APPLICABLE MUST REMAIN WITHIN DIMENSIONS	

DIMENSION STYLE	
IN/MM	
DRAWN BY	DATE
PGIBLIN	2005/11/17
CHECKED BY	DATE
APPROVED BY	DATE

SCALE	DESIGN UNITS	THIRD ANGLE PROJECTION
3:1	INCH	
TITLE		
MPO EMI ADAPTER, FLANGE FLANGE		
molex MOLEX INCORPORATED		
MATERIAL NO.	DOCUMENT NO.	SHEET NO.
1061141100	SD-106114-1100	1 OF 1
THIS DRAWING CONTAINS INFORMATION THAT IS PROPRIETARY TO MOLEX INCORPORATED AND SHOULD NOT BE USED WITHOUT WRITTEN PERMISSION		