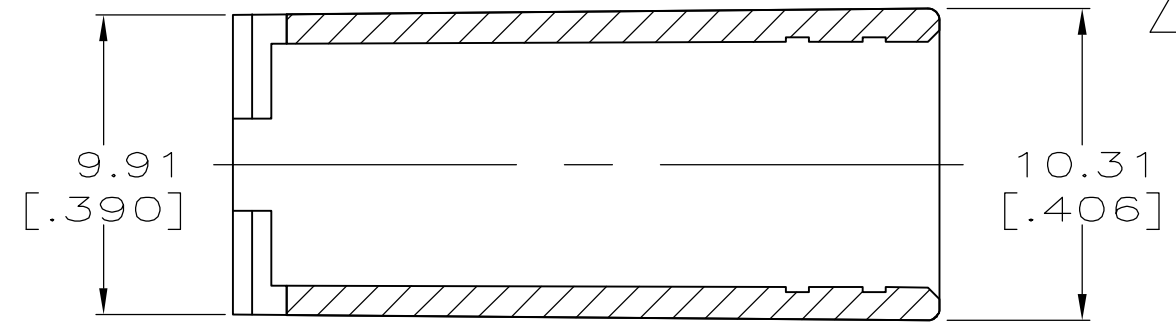


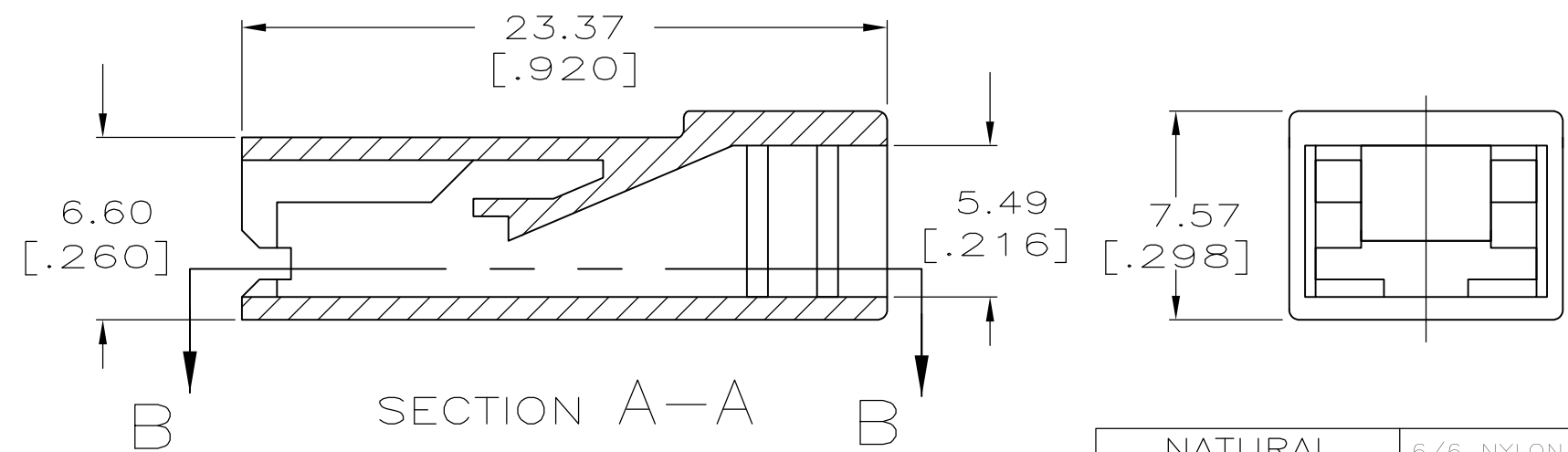
THIS DRAWING IS UNPUBLISHED. RELEASED FOR PUBLICATION
 © COPYRIGHT BY TYCO ELECTRONICS CORPORATION. ALL RIGHTS RESERVED.

| LOC | DIST | REVISIONS | | | |
|-----|------|-------------|----------------------|-----------|-------|
| P | LTR | DESCRIPTION | DATE | DWN | APVD |
| AF | 50 | AB | REV PER 0G3A-0222-04 | 29MAR2004 | RF PD |

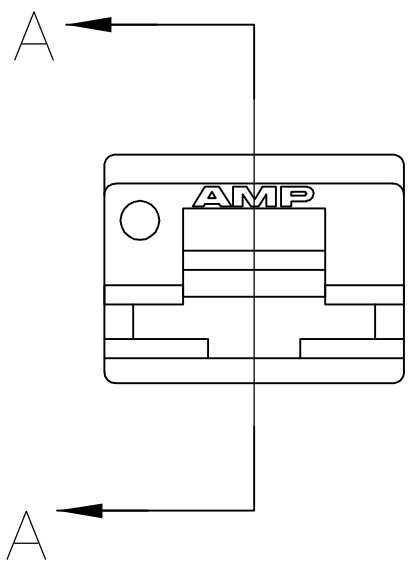
1 SPECIAL PACKAGING QUANTITIES.
 2 PRELIMINARY - NOT FOR PRODUCTION



SECTION B-B



SECTION A-A



| | | | | |
|---------------------|--------------------|---|---|-----------------------|
| NATURAL | 6/6 NYLON | 2 | 1 | 2-480416-1 |
| NATURAL | UL94 5VA RATED | 2 | | 2-480416-0 |
| NATURAL | 4/6 NYLON UL 150 | | | 1-480416-8 |
| NATURAL | 6/6 NYLON, VO | | | 1-480416-7 |
| OBSOLETE | NATURAL | | | 1-480416-6 |
| OBSOLETE | RED | | | 1-480416-4 |
| OBSOLETE | BLUE | | | 1-480416-3 |
| | BLACK | | | 1-480416-1 |
| | NATURAL | | | 1-480416-0 |
| | FINISH | | | MATERIAL |
| | | | | PART NO |

| | | | | | |
|--|--|---------------------|-----------|---|--|
| THIS DRAWING IS A CONTROLLED DOCUMENT. | | DWN | JR RUTH | 2/4/91 | Tyco Electronics Corporation Harrisburg, PA 17105 |
| DIMENSIONS: INCHES | | CHK | P FORTNEY | 2/4/91 | |
| | | APVD | C MEYERS | 2/4/91 | |
| TOLERANCES UNLESS OTHERWISE SPECIFIED: | | PRODUCT SPEC | | NAME | |
| 0 PLC ± - | | - | | HOUSING, RECEPTACLE, FASTON, 6.35 [.250] SERIES | |
| 1 PLC ± - | | - | | - | |
| 2 PLC ± 0.38 [.015] | | - | | - | |
| 3 PLC ± - | | - | | - | |
| 4 PLC ± - | | - | | - | |
| ANGLES ± - | | - | | - | |
| MATERIAL SEE TABLE | | FINISH SEE TABLE | | RESTRICTED TO | |
| | | WEIGHT - | | - | |
| | | CUSTOMER DRAWING | | SCALE 4:1 | |
| | | SIZE A3 | | CAGE CODE 00779 | |
| | | DRAWING NO C-480416 | | SHEET 1 OF 1 | |
| | | | | REV AB | |