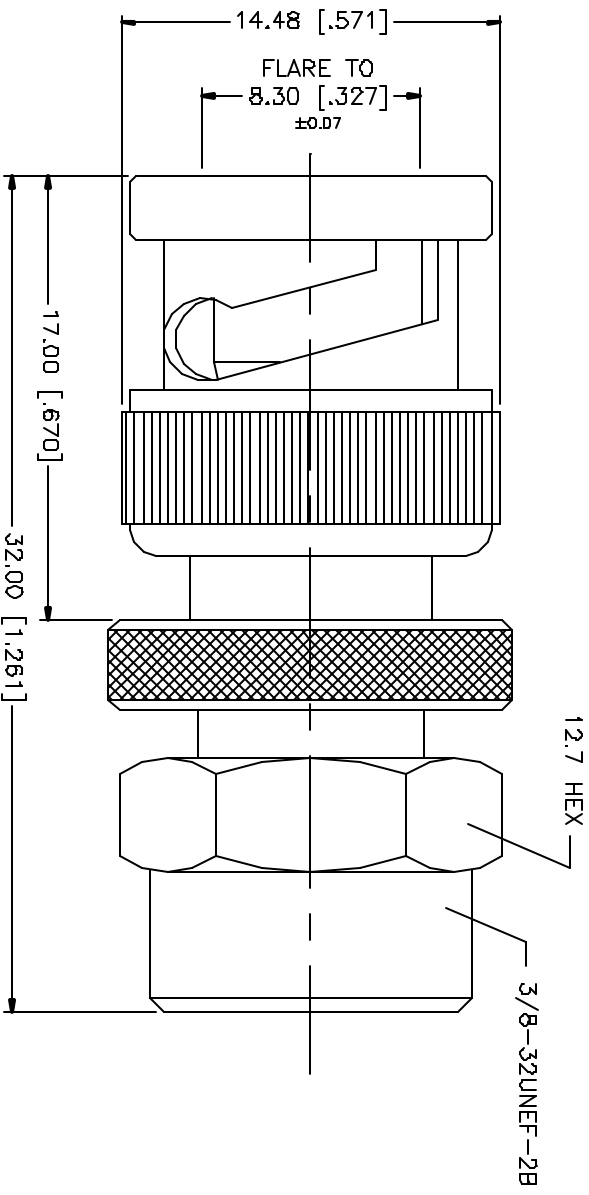


REV.	DATE	DESCRIPTION
NC	11/10/04	INITIAL RELEASE



QTY	FINISH	MATERIAL	DESCRIPTION
1	NICKEL	BRASS	BODY
1	NATURAL	BRASS	CONTACT PIN
1	NATURAL	TEFLON	INSULATOR
1	NICKEL	BRASS	BODY

APPROVALS	DATE
G.R.S.	11/10/04

REV. A	SIZE A	SCALE NA
242160	242160.DWG	242160

**Amphenol Connex**

BNC PLUG TO F PLUG ADAPTER

242160