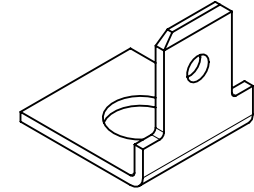
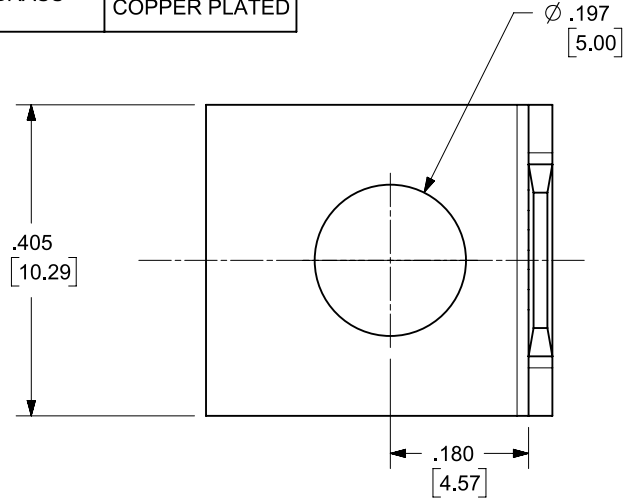
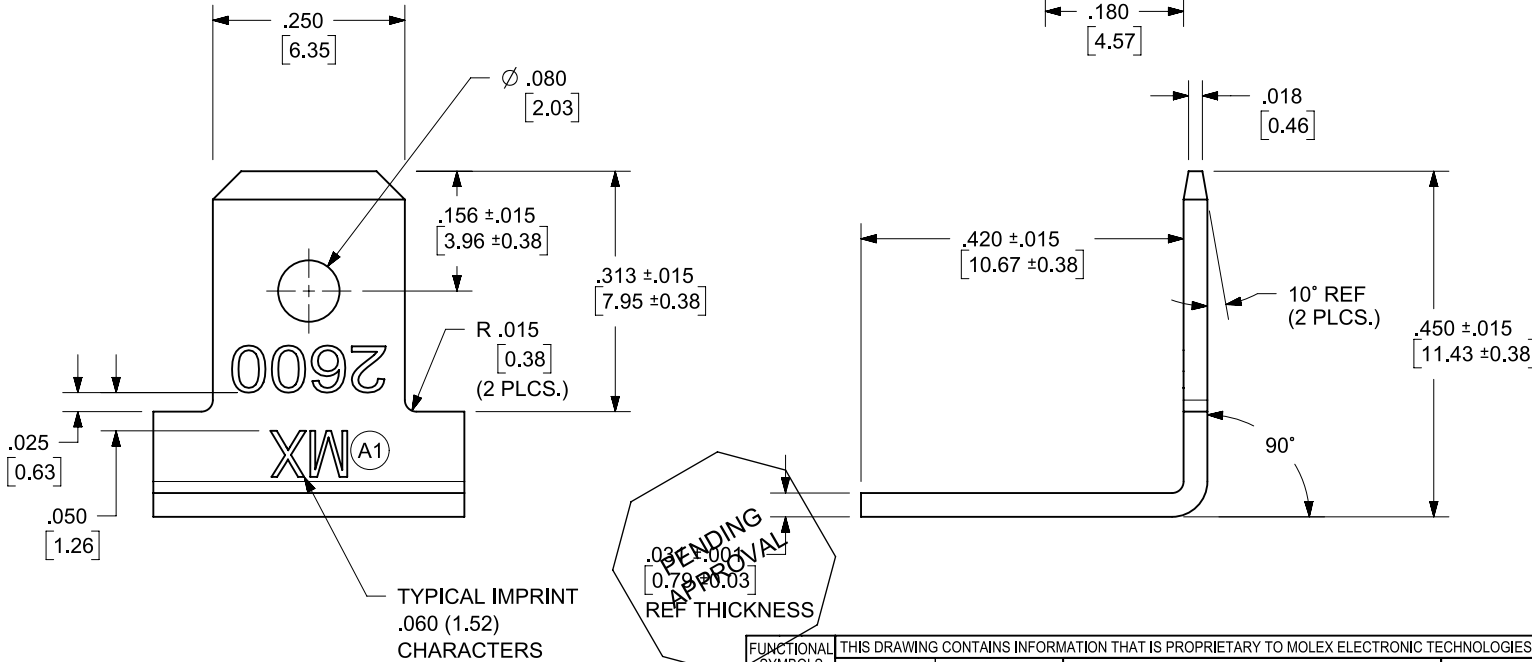


6	5	4	3	2	1
MATERIAL NO.	ENGINEERING NO.	DESCRIPTION	MATERIAL	FINISH	
380020455	2615	TERMINAL, .250 FT, SLVR,	BRASS	TIN OVER COPPER PLATED	

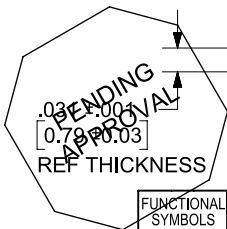
NOTES:
 1. ALL DIM'S SHOWN ARE BEFORE PLATING.
 2. PART IS RoHS COMPLIANT.



AUXILLARY VIEW
SCALE 2:1



TYPICAL IMPRINT
.060 (1.52)
CHARACTERS



FUNCTIONAL SYMBOLS $\overline{F_A} = 0$ $\overline{F_E} = 0$ $\overline{F_P} = 0$	THIS DRAWING CONTAINS INFORMATION THAT IS PROPRIETARY TO MOLEX ELECTRONIC TECHNOLOGIES, LLC AND SHOULD NOT BE USED WITHOUT WRITTEN PERMISSION		CURRENT REV DESC: "MX" WAS "BEAU"	
	DIMENSION UNITS	SCALE	EC NO: 650468	
	in/[mm]	4:1	DRWN: RMV02	2020/11/13
	GENERAL TOLERANCES (UNLESS SPECIFIED)		CHK'D: DMYRICK	2020/12/04
DIVISIONAL SYMBOLS $\overline{F_P} = 0$	4 PLACES ±	±	APPR:	
	3 PLACES ±	± 0.005	INITIAL REVISION:	
	2 PLACES ±	0.13 ± 0.01	DRWN: DRWN BY	XXXX/XX/XX
	1 PLACE ±	0.3 ±	APPR: APPR BY	XXXX/XX/XX
0 PLACES ±		±	THIRD ANGLE PROJECTION	
ANGULAR TOL ± 2.0°		DRAWING		SERIES
DRAFT WHERE APPLICABLE MUST REMAIN WITHIN DIMENSIONS		A-SIZE	38002	



TERMINAL, .250 FT, SLVR,
CAT# 2615

PRODUCT CUSTOMER DRAWING

DOCUMENT NUMBER	DOC TYPE	DOC PART	REVISION
SD-38002-063	PSD	001	A1
MATERIAL NUMBER	CUSTOMER	SHEET NUMBER	
SEE TABLE	GENERAL MARKET	1 OF 1	

DOCUMENT STATUS	RQ	RELEASE DATE	
-----------------	----	--------------	--