

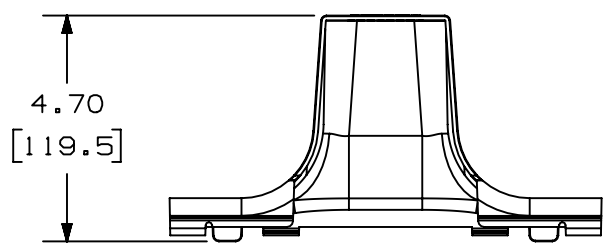
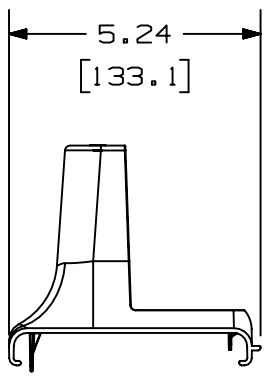
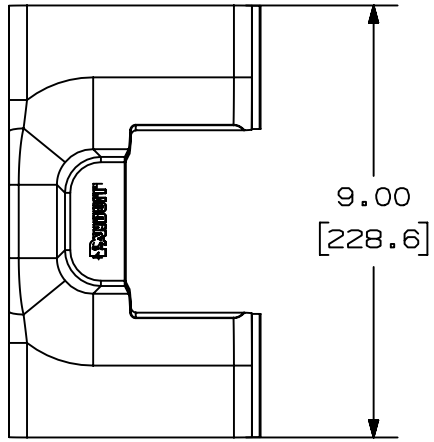
2

1

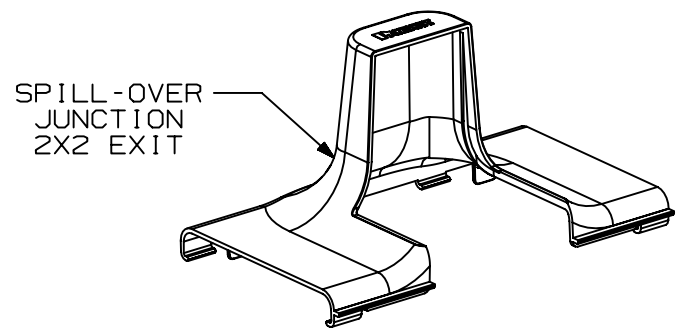
THIS COPY IS PROVIDED ON A RESTRICTED BASIS AND IS NOT TO BE USED IN ANY WAY DETRIMENTAL TO THE INTERESTS OF PANDUIT CORP.

NOTES:

- 1. SEE CURRENT CATALOG FOR ADDITIONAL PART SUFFIXES TO INDICATE COLOR AND/OR PACKAGE QUANTITY.
- 2. DIMENSIONS IN PARENTHESES ARE IN METRIC.
- 3. THE FIBERRUNNER SPILL-OVER JUNCTION WITH 2x2 EXIT - FIBERRUNNER4X4 CHANNEL COVER INCLUDES:
ONE (1) SPILL-OVER JUNCTION 2X2 EXIT



PANDUIT PART NUMBER	WEIGHT	MATERIAL
FRSPJC24	0.27 LB/EACH (122g/EACH)	ABS
FRSPJC24L	0.27 LB/EACH (122g/EACH)	PC/ABS



B

B

A

A

NGLOBAL-ASIZE

REV	DATE	BY	CHK	APR	DESCRIPTION	ECN
00B	10/14/20	MEX-JAGC	DWR	DWR	UPDATED DRAWING TEMPLATE ADDED PART NUMBER FRSPJC24L	V09002DZ/15
R	7/6/09	MSO	EB	RN	RELEASED TO PRODUCTION	39851-20

TITLE FIBERRUNNER SPILL-OVER JUNCTION WITH 2x2 EXIT - FIBERRUNNER4X4 CHANNEL COVER (FRSPJC24 & FRSPJC24L) CUSTOMER DRAWING					
ITEM REVISION NAME D39851BW/00					
DATASET FILE NAME D39851BW_DS/00B					
MATERIAL: SEE PART NUMBER TABLE ABOVE			DRAWING NUMBER: 39851-20		
DRAWN BY MSO	DATE 7/6/09	CHK EB	SCALE NONE	THIRD ANGLE PROJECTION	
SHT 1 OF 1			SIZE A		

2

1